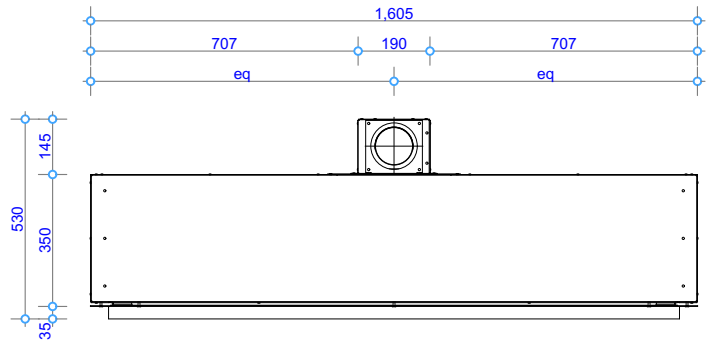




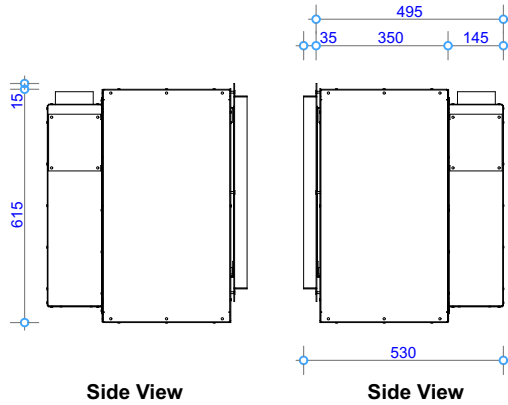
GD1 - 1500

Specifications

Information in this specification may be subject to change without notice. Please ensure you have the current version before beginning installation.

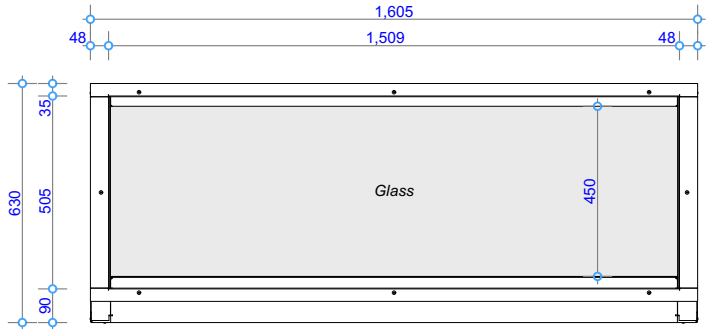


Plan View

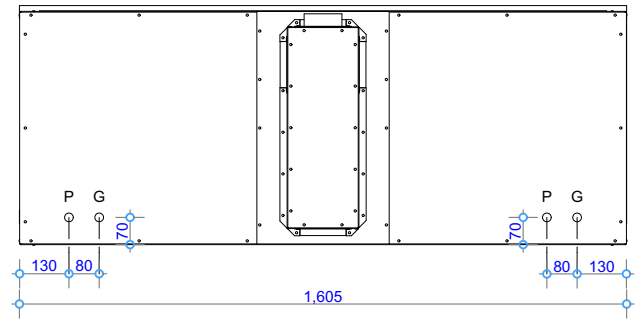


Side View

Side View



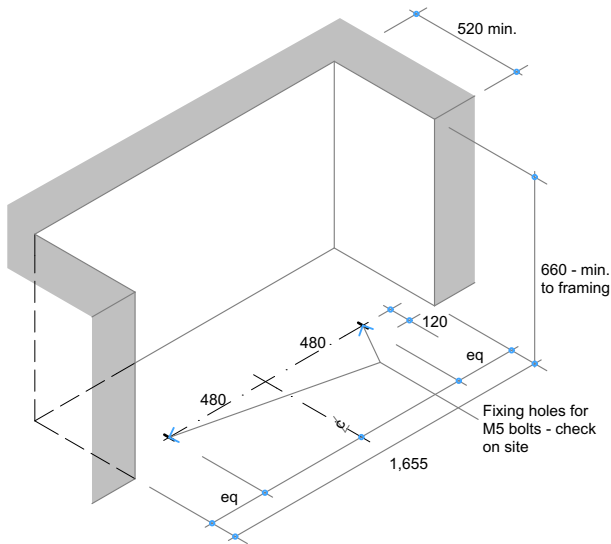
Front View



Rear View

P = Power In
G = Gas In

TOLERANCE = +/- 3mm



Fire Installation - Trim Sizes

NOTE: Confirm fixing holes on site prior to drilling

COPYRIGHT ©
THIS DRAWING IS THE PROPERTY
OF The Fire Dept.

Client: THE FIRE DEPT.

Product: GD1-1500

Title: FIREBOX DIMENSIONS

Drawn: SR

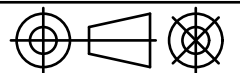
Date: 08/05/2018

Chkd: JW

Date: 08/05/2018

Appd: JW

Date: 08/05/2018



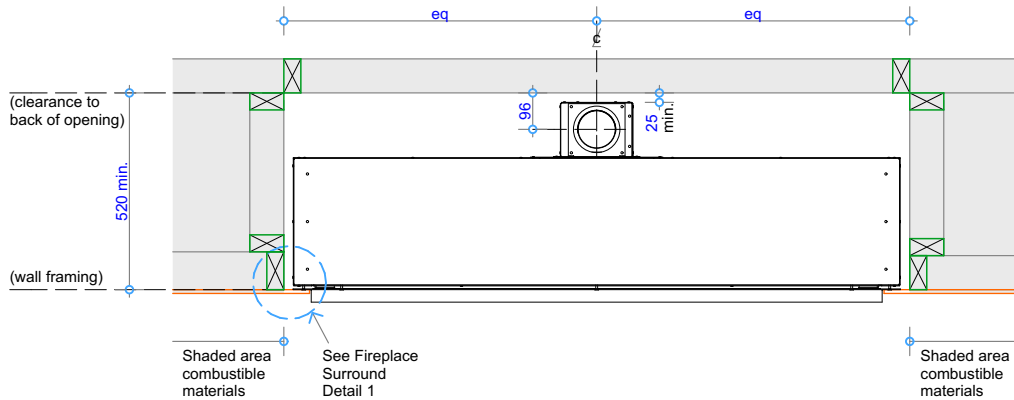
Scale: on A4

THE
**FIRE
DEPT.**

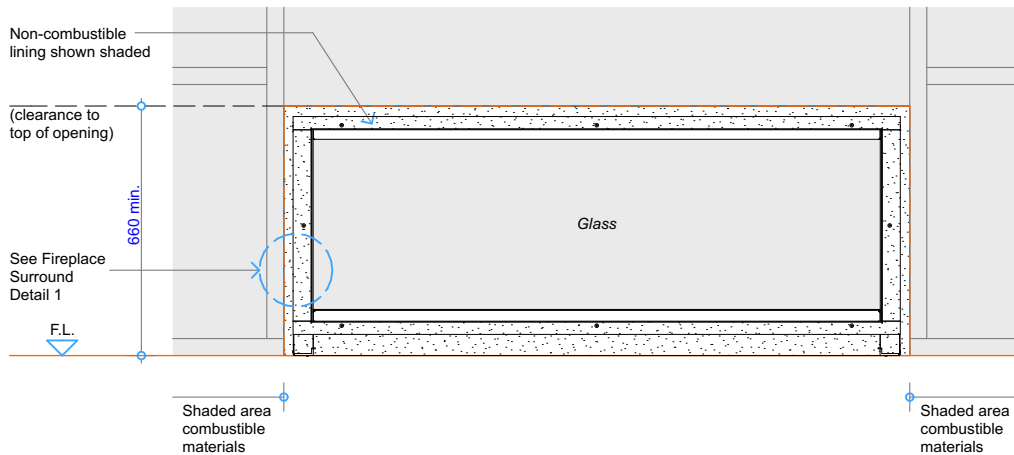
Drawing No. **GD1-1500-901**

Sheet 01 of 07

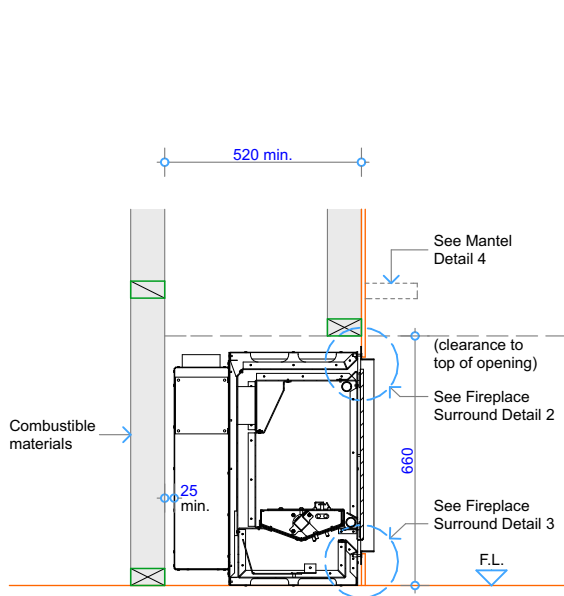
Revision **5**



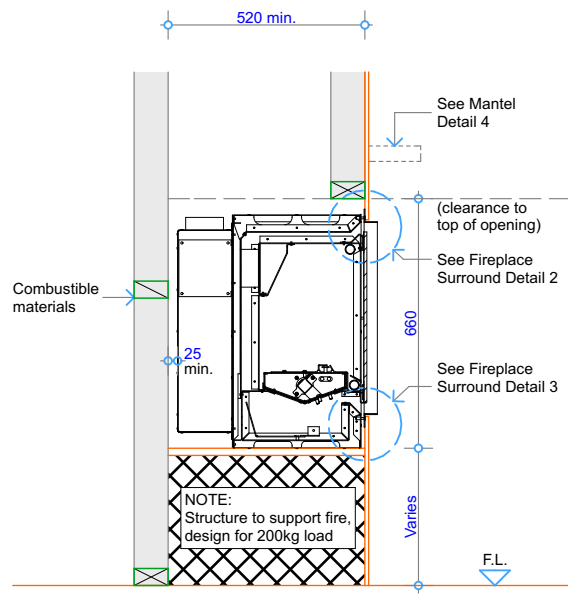
Plan View - Fire Insert



Front View - Fire Insert



Cross Section - Fire Insert at Floor Level



Cross Section - Fire Insert on Raised Plinth

NOTE: Plinth height can vary to suit

COPYRIGHT ©
 THIS DRAWING IS THE PROPERTY
 OF The Fire Dept.

Client: THE FIRE DEPT.

Product: GD1-1500

Title: CAVITY CLEARANCES

Drawn: SR

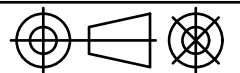
Date: 08/05/2018

Chkd: JW

Date: 08/05/2018

Appd: JW

Date: 08/05/2018



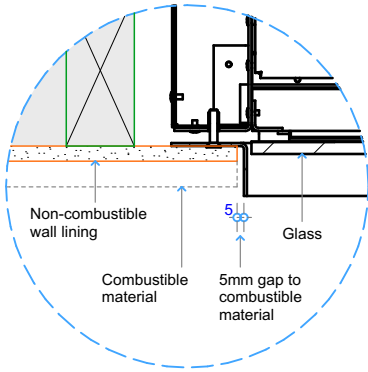
Scale: on A4



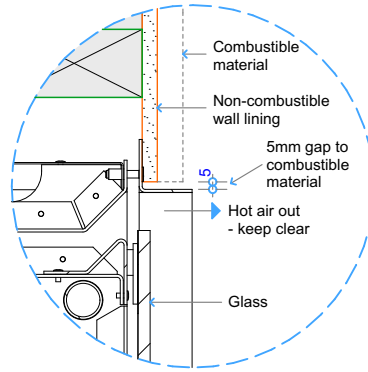
Drawing No. **GD1-1500-902**

Sheet 02 of 07

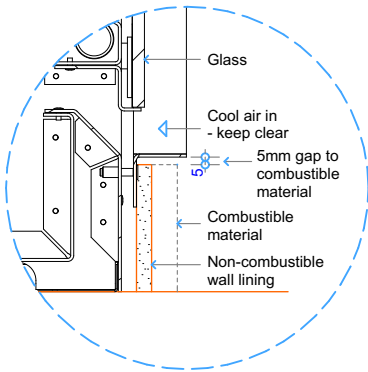
Revision **5**



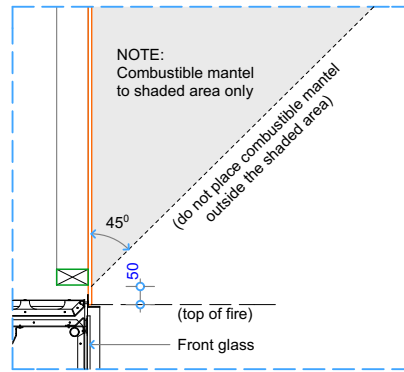
Detail 1 - Plan View Fire Surround



Detail 2 - Top of Fire to Combustible Materials



Detail 3 - Bottom of Fire to Floor



Detail 4 - Top of Fire to Combustible Mantel

COPYRIGHT©
 THIS DRAWING IS THE PROPERTY
 OF **The Fire Dept.**

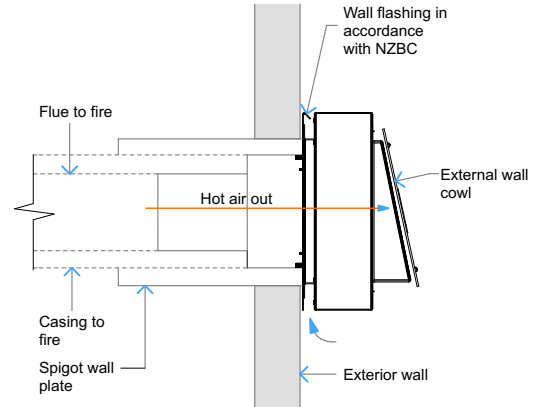
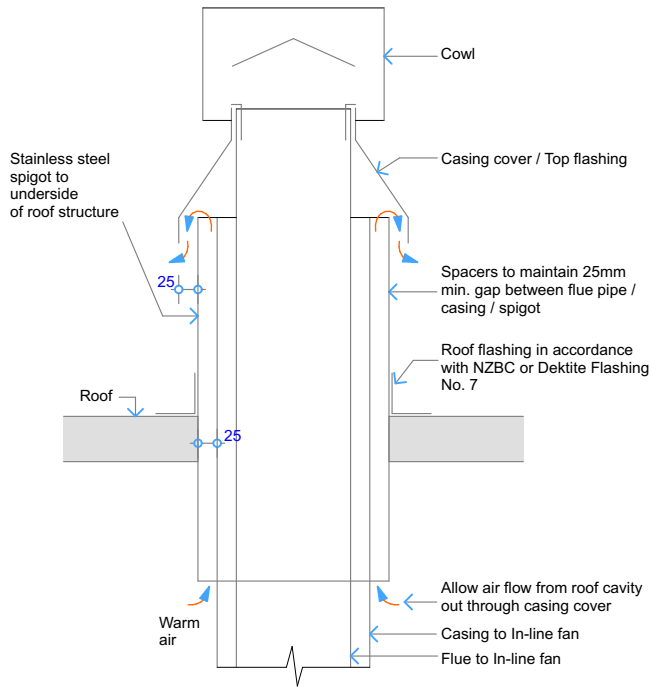
Client: THE FIRE DEPT.		
Product: GD1-1500		
Title: SURROUND DETAILS		
Drawn: SR	Date: 08/05/2018	
Chkd: JW	Date: 08/05/2018	
Appd: JW	Date: 08/05/2018	
Scale:		on A4



Drawing No. **GD1-1500-903**

Sheet 03 of 07

Revision 5



Detail - Air Ventilation through Casing cover/ Top flashing

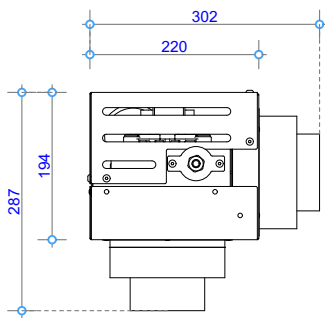
Flue components:
 100mm dia. Flue
 150mm dia. Casing
 200mm dia. Spigot
 Deklite Flashing No. 7

NOTE:

Flue components must be installed to AS/NZS5601 requirements.
 All external penetration flashings must be installed in accordance with NZBC.
 Fire supplied with 3m of 5 core wire from fire to fan.
 Cavity airflow must be unobstructed from fire to flue termination.
 25mm clearance between flue and combustible materials.
 75mm clearance between flue and wiring / plastic water pipes.
 Horizontal flue run must fall 20mm for every 1000mm towards the fire.
 Each flue joint must be sealed with a heat proof sealer.
 Each flue joint must have a minimum of 4 x rivets.
 Flue to be adequately supported at 2.4m crs.

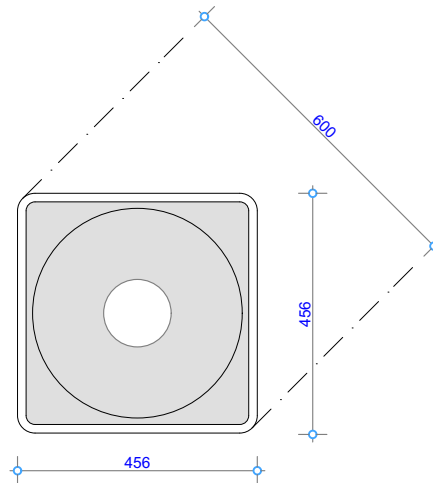
Detail - Air Ventilation through Wall

Flue components:
 100mm dia. Flue
 150mm dia. Casing
 200mm dia. Spigot



Detail - In-Line Fan

NOTE: Requires access hatch for maintenance

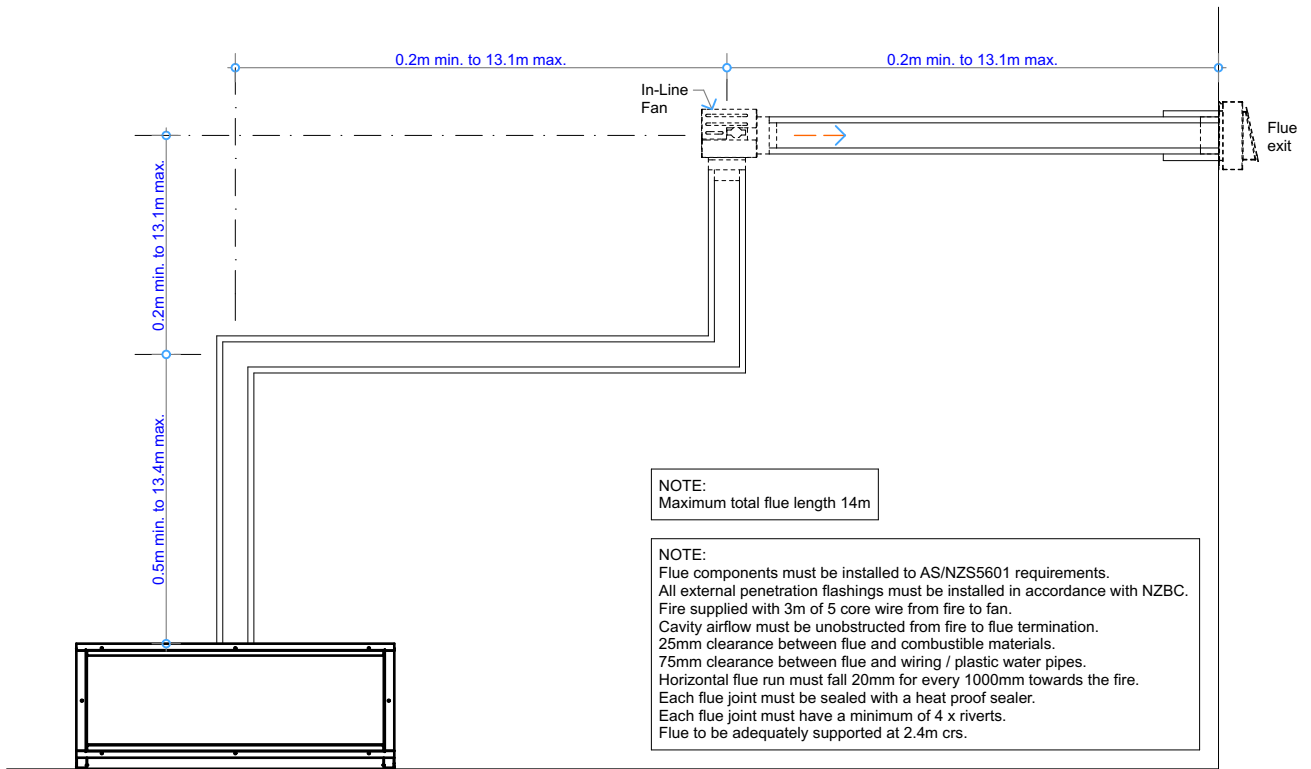


Deklite Flashing No. 7 - Plan View

COPYRIGHT © THIS DRAWING IS THE PROPERTY OF The Fire Dept.	Client: THE FIRE DEPT.			
	Product: GD1-1500			
	Title: VERTICAL & HORIZONTAL FLUE EXIT DETAILS			
	Drawn: SR	Date: 08/05/2018		
	Chkd: JW	Date: 08/05/2018		
	Appd: JW	Date: 08/05/2018		
Drawing No. GD1-1500-904		Sheet 04 of 07	Revision 5	

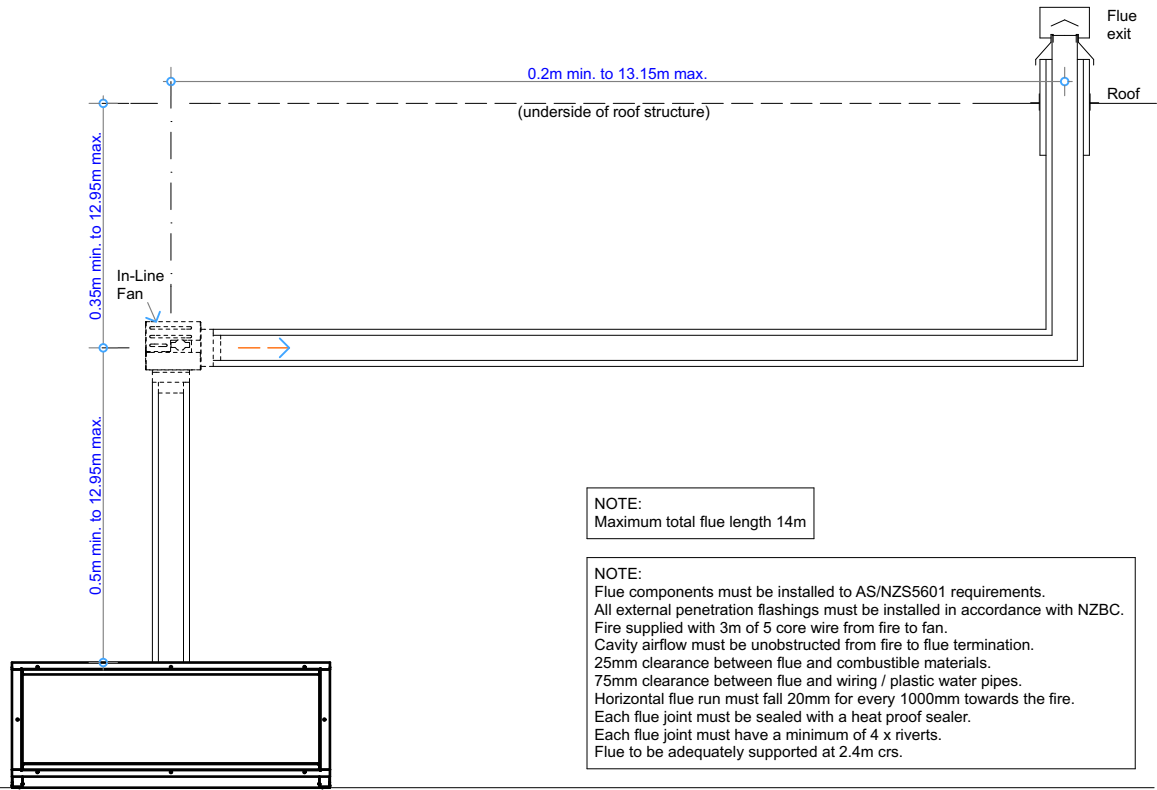


Horizontal Flue Combination GD1A

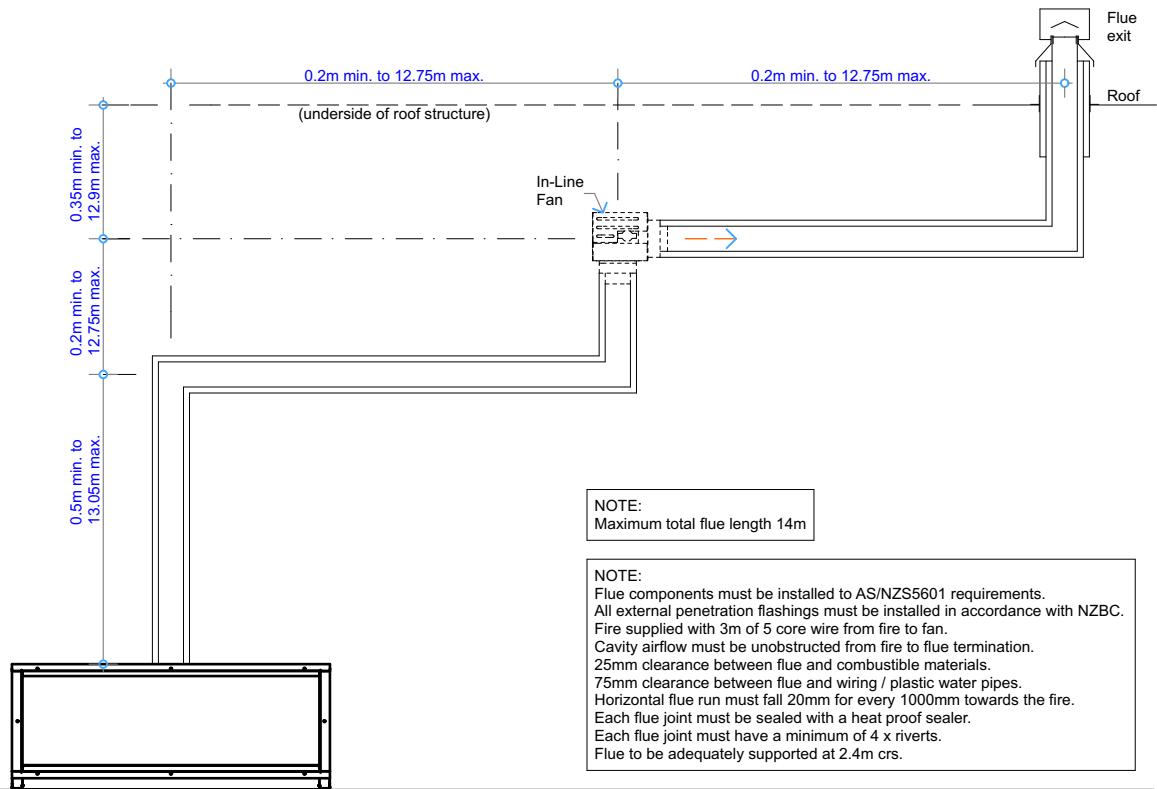


Horizontal Flue Combination GD1B

COPYRIGHT © THIS DRAWING IS THE PROPERTY OF The Fire Dept.	Client: THE FIRE DEPT.			
	Product: GD1-1500			
	Title: HORIZONTAL FLUE COMBINATION OPTIONS			
	Drawn: SR	Date: 08/05/2018		
	Chkd: JW	Date: 08/05/2018		
Appd: JW	Date: 08/05/2018	Scale: on A4		
Drawing No.	GD1-1500-905		Sheet 05 of 07	Revision 5

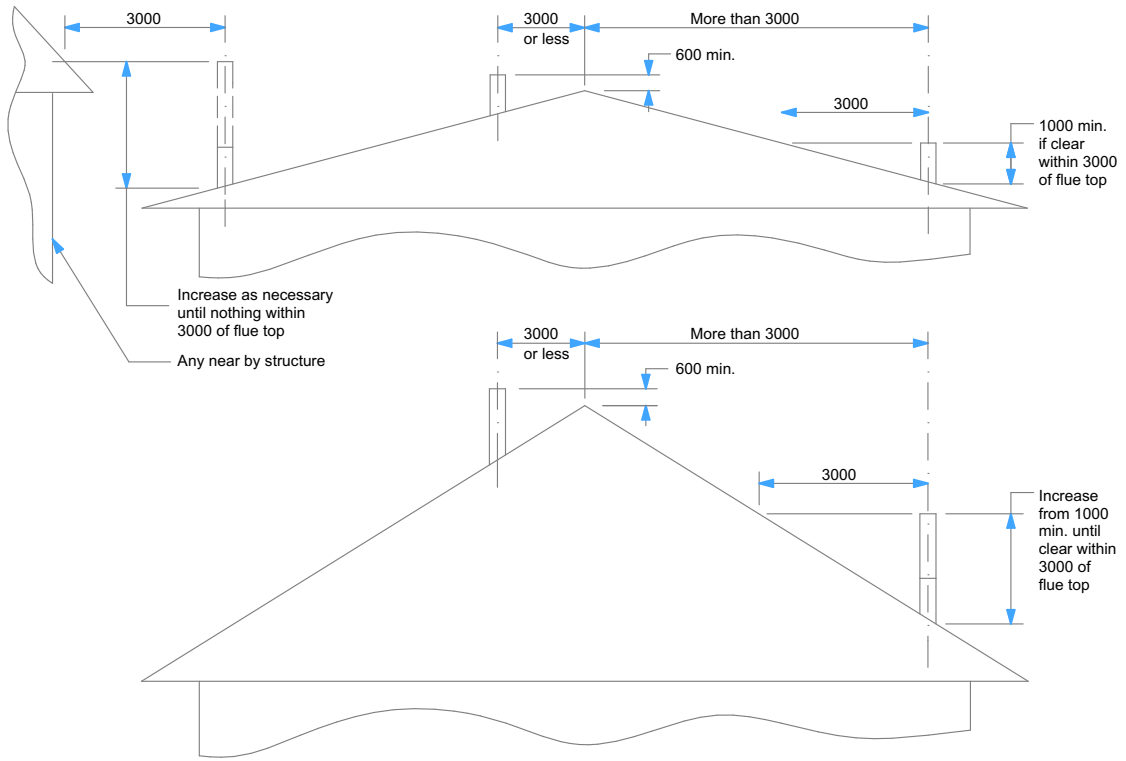


Vertical Flue Combination GD1C

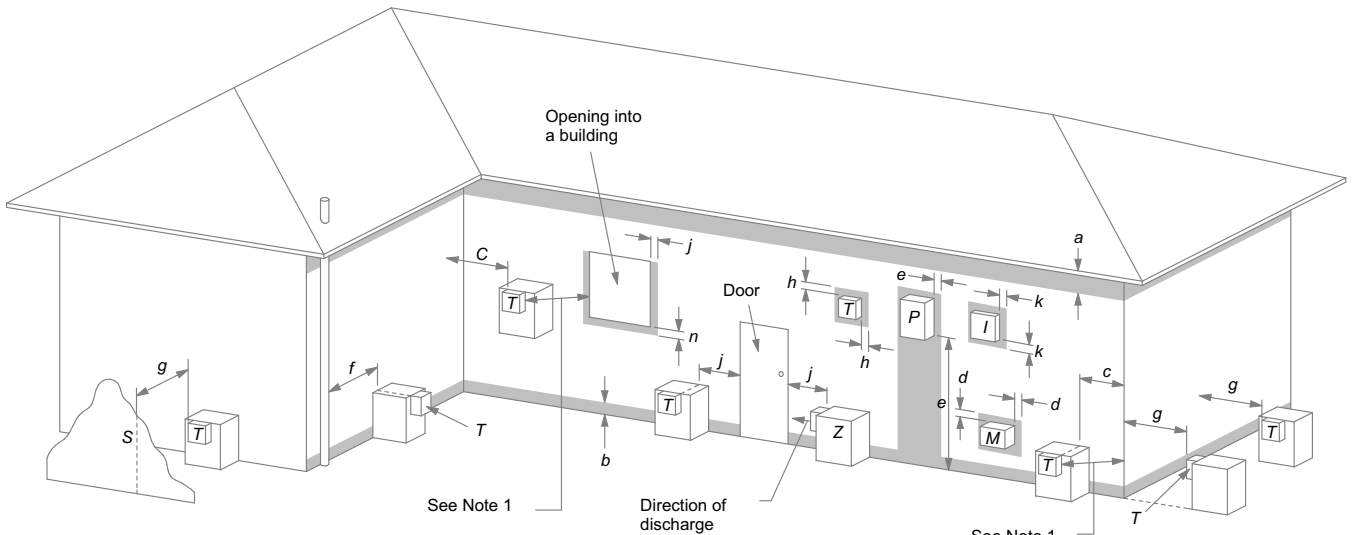


Vertical Flue Combination GD1D

COPYRIGHT© THIS DRAWING IS THE PROPERTY OF The Fire Dept.	Client: THE FIRE DEPT.			
	Product: GD1-1500			
	Title: VERTICAL FLUE COMBINATION OPTIONS			
	Drawn: SR	Date: 08/05/2018		
	Chkd: JW	Date: 08/05/2018		
Appd: JW	Date: 08/05/2018	Scale: on A4		
Drawing No.	GD1-1500-906		Sheet 06 of 07	Revision 5



Minimum Height of Flue System Exit
Or as per AS/NZS 5601



LEGEND:

- I = Mechanical air inlet
- M = Gas meter
- P = Electricity meter or fuse box
- S = Structure
- T = Flue terminal
- Z = Fan-assisted appliance only

- a = 200
- b = 300
- c = 300
- d = 1000
- e = 500
- f = 75
- g = 500
- h = 300
- j = 300 (at window) & 1500 (fan-assisted appliance by the door)
- k = 1000
- n = 500

NOTES:

- 1 Where dimensions c, j or k cannot be achieved an equivalent horizontal distance measured diagonally from the nearest discharge point of the terminal to the opening may be deemed by the Technical Regulator to comply.

Shading indicates prohibited area for flue terminals

Location of Flue Terminals of Balanced Flue, Room-Sealed, Fan-Assisted or Outdoor Appliances

NOTE: To be read in conjunction with AS/NZS 5601.1:2013

COPYRIGHT ©
 THIS DRAWING IS THE PROPERTY
 OF The Fire Dept.

Client: THE FIRE DEPT.		
Product: GD1-1500		
Title: FLUE EXIT CLEARANCES		
Drawn: SR	Date: 08/05/2018	
Chkd: JW	Date: 08/05/2018	
Appd: JW	Date: 08/05/2018	
Scale: on A4		



Drawing No.	GD1-1500-907	Sheet 07 of 07	Revision 5
-------------	---------------------	----------------	--