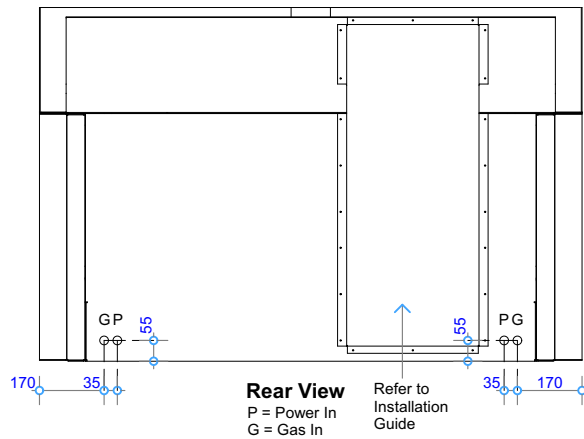
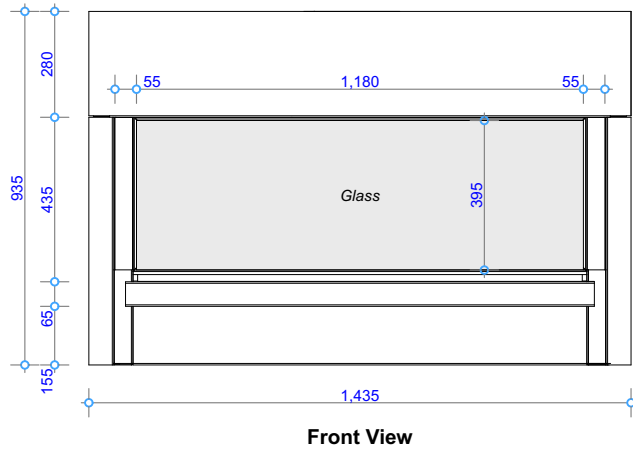
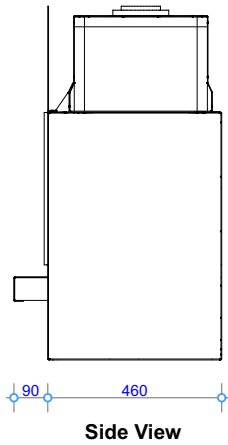
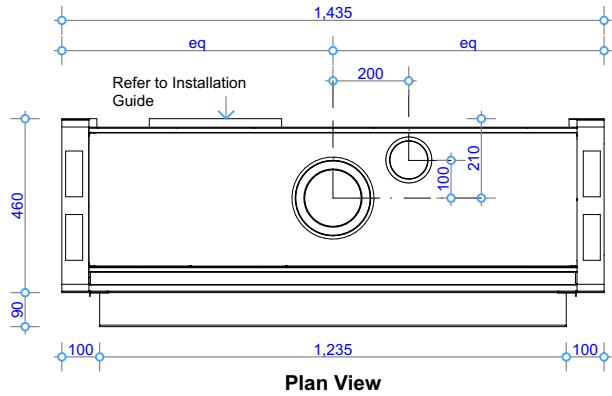




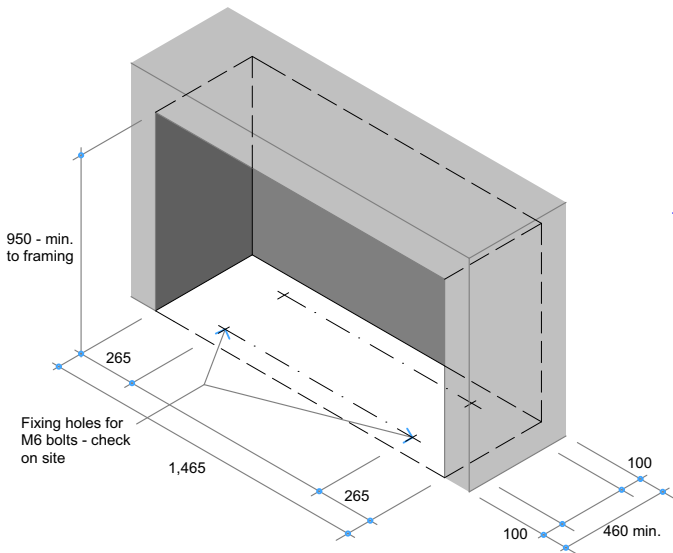
**GD12 - 1200**

**Specifications**

Information in this specification may be subject to change without notice. Please ensure you have the current version before beginning installation.



TOLERANCE = +/- 3mm



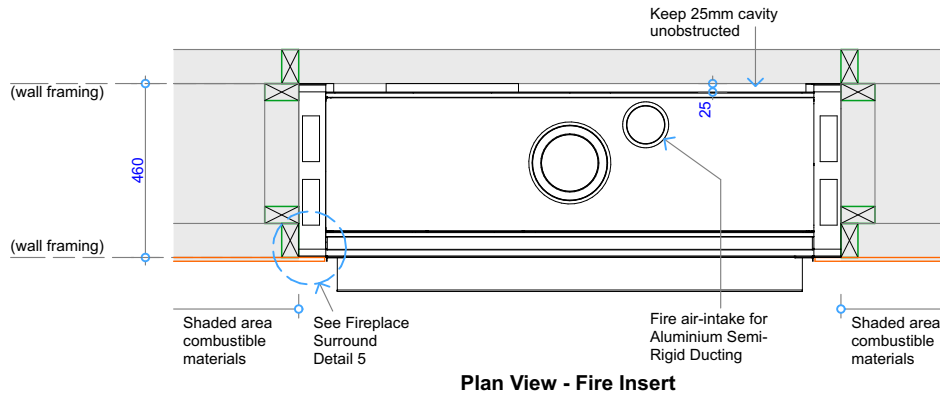
**Fire Installation - Trim Sizes**  
NOTE: Confirm fixing holes on site prior to drilling

COPYRIGHT©  
THIS DRAWING IS THE PROPERTY  
OF The Fire Dept.

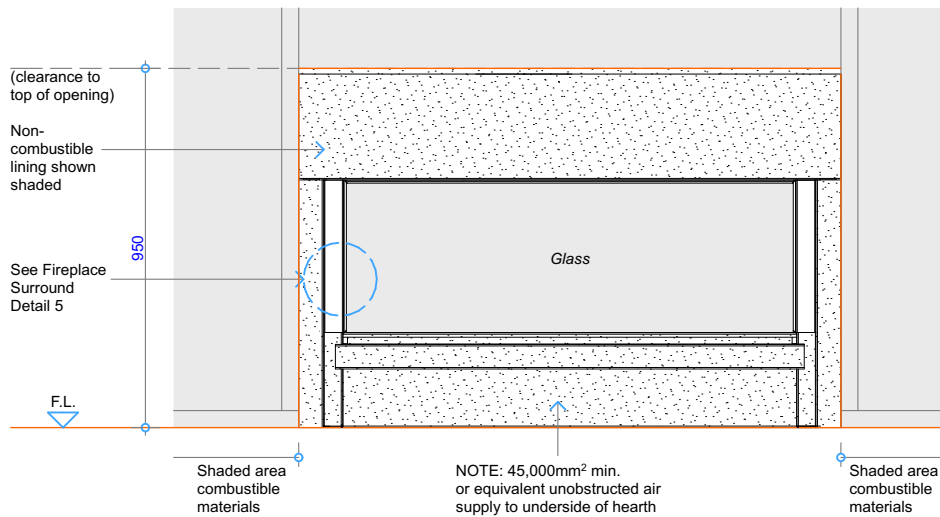
Client: THE FIRE DEPT.		
Product: GD12-1200		
Title: FIREBOX DIMENSIONS		
Drawn: SR	Date: 09/05/2018	
Chkd: JW	Date: 09/05/2018	
Appd: JW	Date: 09/05/2018	
Scale:		on A4



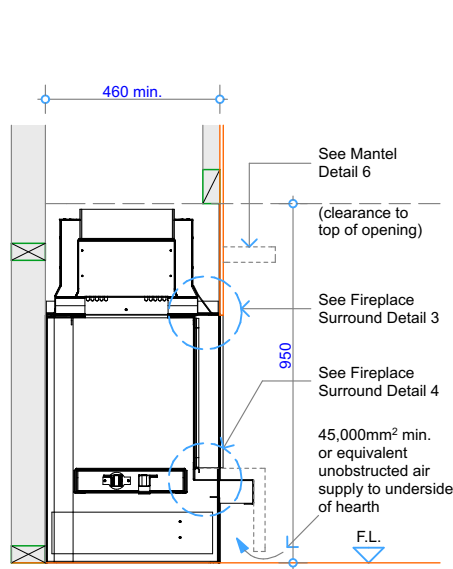
Drawing No.	<b>GD12-1200-901</b>	Sheet 01 of 07	Revision <span style="border: 1px solid black; padding: 2px;">5</span>
-------------	----------------------	----------------	--



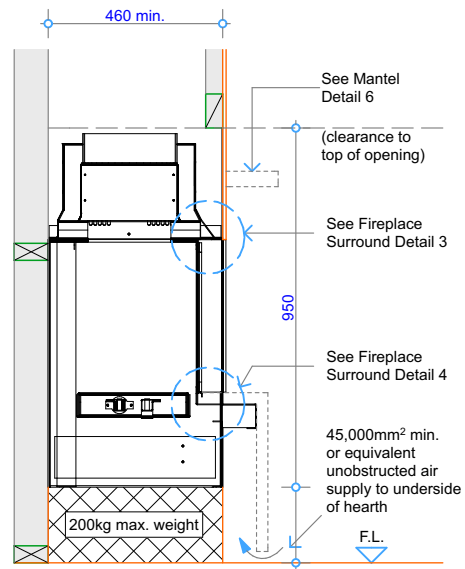
Plan View - Fire Insert



Front View - Fire Insert



Cross Section - Fire Insert at Floor Level



Cross Section - Fire Insert on Raised Plinth

NOTE: Plinth height can vary to suit

COPYRIGHT ©  
 THIS DRAWING IS THE PROPERTY  
 OF The Fire Dept.

Client: THE FIRE DEPT.

Product: GD12-1200

Title: CAVITY CLEARANCES

Drawn: SR

Date: 09/05/2018

Chkd: JW

Date: 09/05/2018

Appd: JW

Date: 09/05/2018

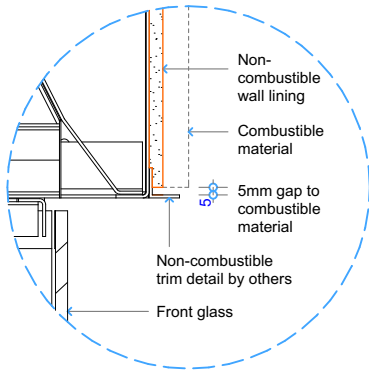
Scale: on A4

THE  
 FIRE  
 DEPT.

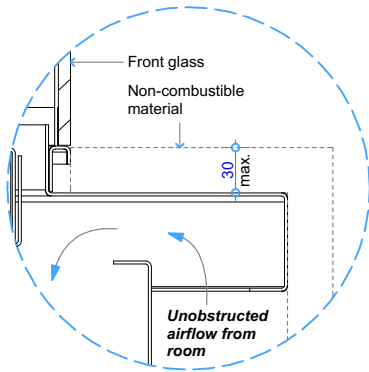
Drawing No. **GD12-1200-902**

Sheet 02 of 07

Revision 5

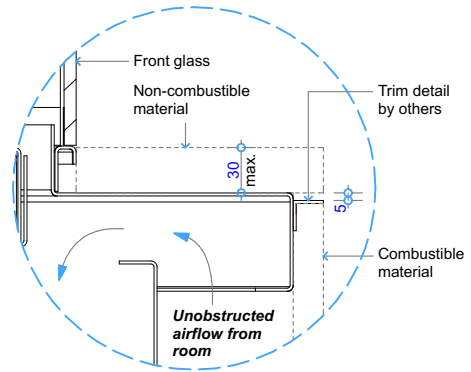


**Detail 3 - Top of Fire to Combustible Materials**



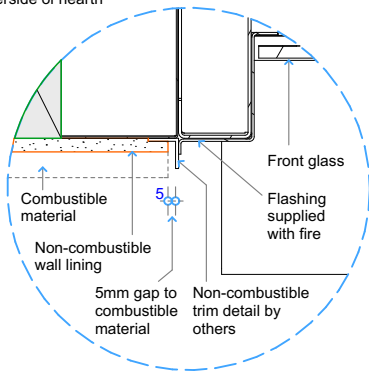
**Detail 4 - Bottom of Fire to Floor Opt. 5**

NOTE: 45,000mm<sup>2</sup> min. or equivalent unobstructed air supply to underside of hearth

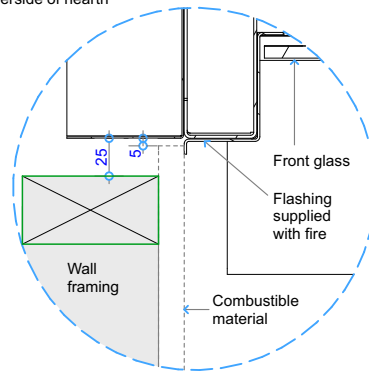


**Detail 4 - Bottom of Fire to Floor Opt. 6**

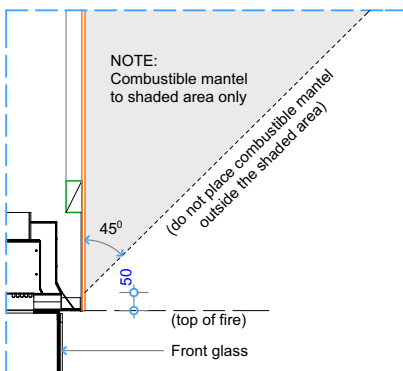
NOTE: 45,000mm<sup>2</sup> min. or equivalent unobstructed air supply to underside of hearth



**Detail 5 - Plan View Fire Surround Opt. 7**



**Detail 5 - Plan View Fire Surround Opt. 8**



**Detail 6 - Top of Fire to Combustible Mantel**

COPYRIGHT©  
 THIS DRAWING IS THE PROPERTY  
 OF The Fire Dept.

Client: THE FIRE DEPT.

Product: GD12-1200

Title: SURROUND DETAILS

Drawn: SR

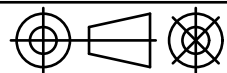
Date: 09/05/2018

Chkd: JW

Date: 09/05/2018

Appd: JW

Date: 09/05/2018



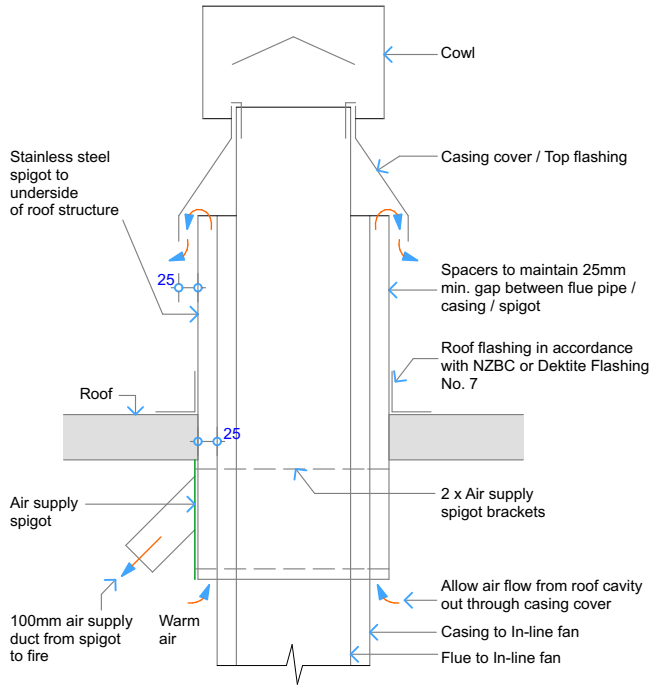
Scale: on A4



Drawing No. **GD12-1200-903**

Sheet 03 of 07

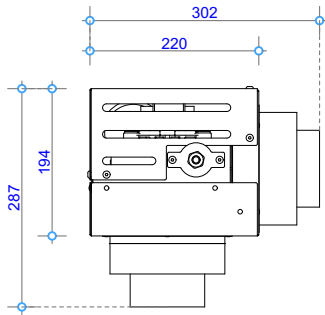
Revision 5



**Detail - Air Ventilation through Casing cover/ Top flashing**

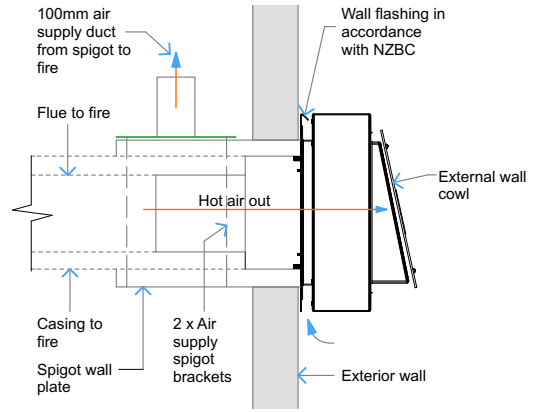
Flue components:  
 100mm dia. Flue  
 150mm dia. Casing  
 200mm dia. Spigot  
 Deklite Flashing No. 7

**NOTE:**  
 Flue components must be installed to AS/NZS5601 requirements.  
 All external penetration flashings must be installed in accordance with NZBC.  
 Fire supplied with 3m of 5 core wire from fire to fan.  
 Cavity airflow must be unobstructed from fire to flue termination.  
 25mm clearance between flue and combustible materials.  
 75mm clearance between flue and wiring / plastic water pipes.  
 Horizontal flue run must fall 20mm for every 1000mm towards the fire.  
 Each flue joint must be sealed with a heat proof sealer.  
 Each flue joint must have a minimum of 4 x rivets.  
 Flue to be adequately supported at 2.4m crs.  
 Fix Aluminium Semi-Rigid Duct with 4 x rivets and sufficient duct tape to fire, spigot, and at each joint.



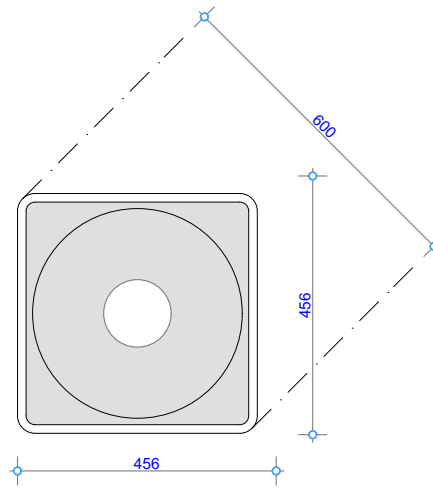
**Detail - In-Line Fan**

NOTE: Requires access hatch for maintenance




**Detail - Air Ventilation through Wall**

Flue components:  
 100mm dia. Flue  
 150mm dia. Casing  
 200mm dia. Spigot



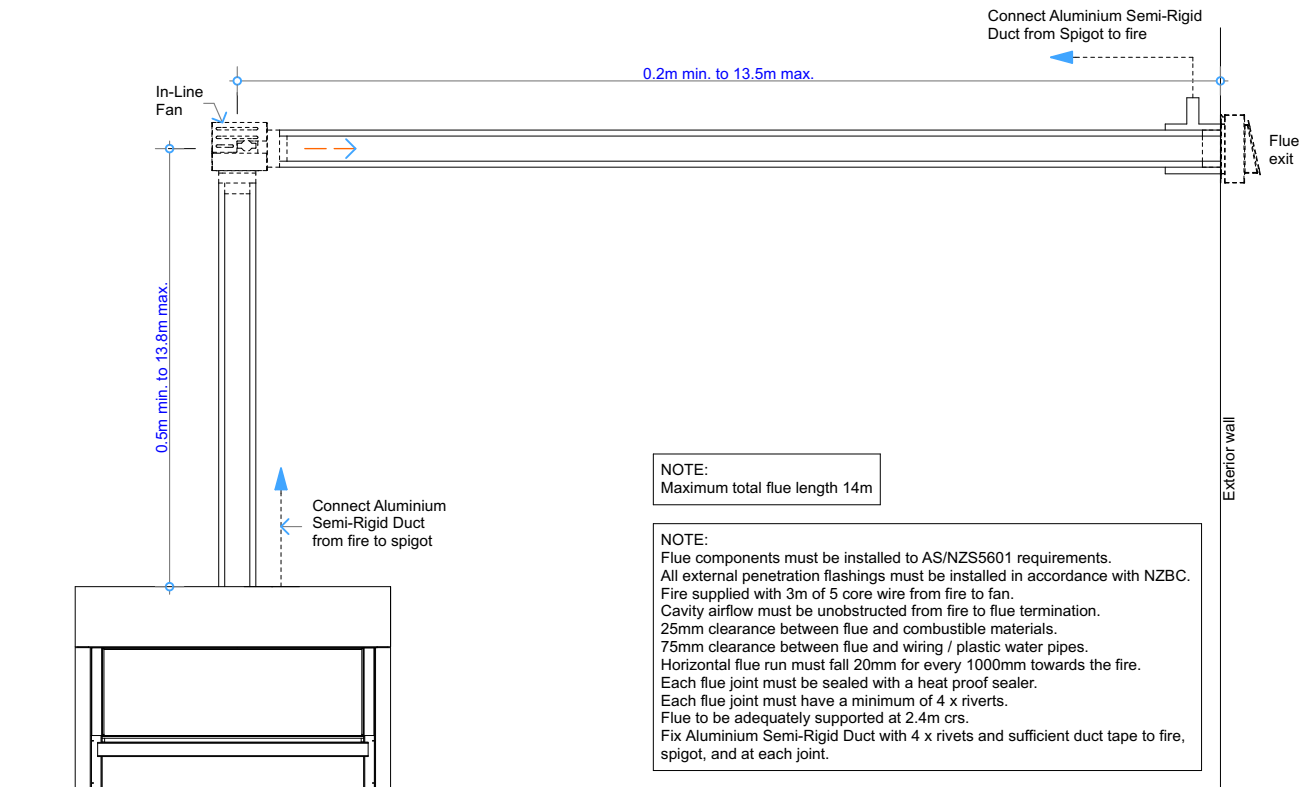
**Deklite Flashing No. 7 - Plan View**

COPYRIGHT ©  
 THIS DRAWING IS THE PROPERTY  
 OF The Fire Dept.

Client: THE FIRE DEPT.		
Product: GD12-1200		
Title: VERTICAL & HORIZONTAL FLUE EXIT DETAILS		
Drawn: SR	Date: 09/05/2018	
Chkd: JW	Date: 09/05/2018	
Appd: JW	Date: 09/05/2018	
Scale:		on A4



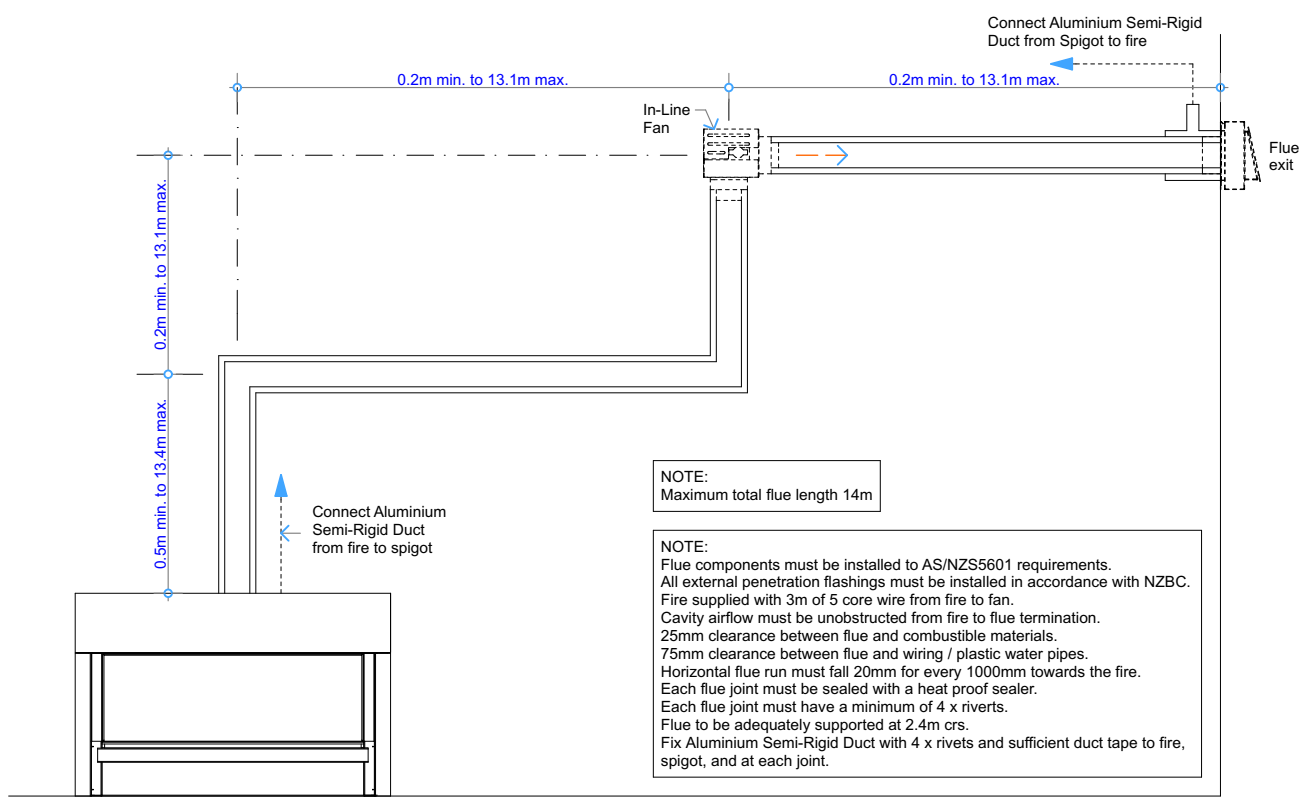
Drawing No.	<b>GD12-1200-904</b>	Sheet 04 of 07	Revision <span style="border: 1px solid black; padding: 2px;">5</span>
-------------	----------------------	----------------	--



NOTE:  
Maximum total flue length 14m

NOTE:  
Flue components must be installed to AS/NZS5601 requirements.  
All external penetration flashings must be installed in accordance with NZBC.  
Fire supplied with 3m of 5 core wire from fire to fan.  
Cavity airflow must be unobstructed from fire to flue termination.  
25mm clearance between flue and combustible materials.  
75mm clearance between flue and wiring / plastic water pipes.  
Horizontal flue run must fall 20mm for every 1000mm towards the fire.  
Each flue joint must be sealed with a heat proof sealer.  
Each flue joint must have a minimum of 4 x rivets.  
Flue to be adequately supported at 2.4m crs.  
Fix Aluminium Semi-Rigid Duct with 4 x rivets and sufficient duct tape to fire, spigot, and at each joint.

Horizontal Flue Combination GD12A



NOTE:  
Maximum total flue length 14m

NOTE:  
Flue components must be installed to AS/NZS5601 requirements.  
All external penetration flashings must be installed in accordance with NZBC.  
Fire supplied with 3m of 5 core wire from fire to fan.  
Cavity airflow must be unobstructed from fire to flue termination.  
25mm clearance between flue and combustible materials.  
75mm clearance between flue and wiring / plastic water pipes.  
Horizontal flue run must fall 20mm for every 1000mm towards the fire.  
Each flue joint must be sealed with a heat proof sealer.  
Each flue joint must have a minimum of 4 x rivets.  
Flue to be adequately supported at 2.4m crs.  
Fix Aluminium Semi-Rigid Duct with 4 x rivets and sufficient duct tape to fire, spigot, and at each joint.

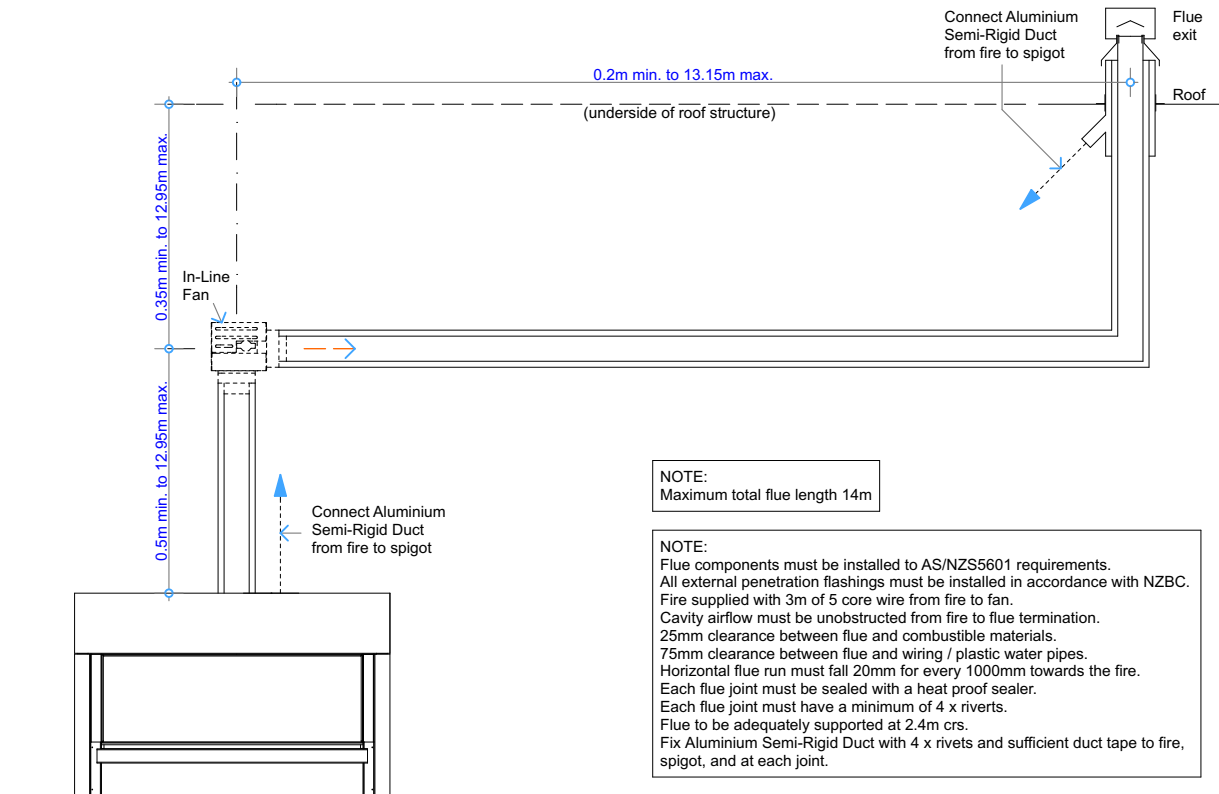
Horizontal Flue Combination GD12B

COPYRIGHT ©  
 THIS DRAWING IS THE PROPERTY  
 OF The Fire Dept.

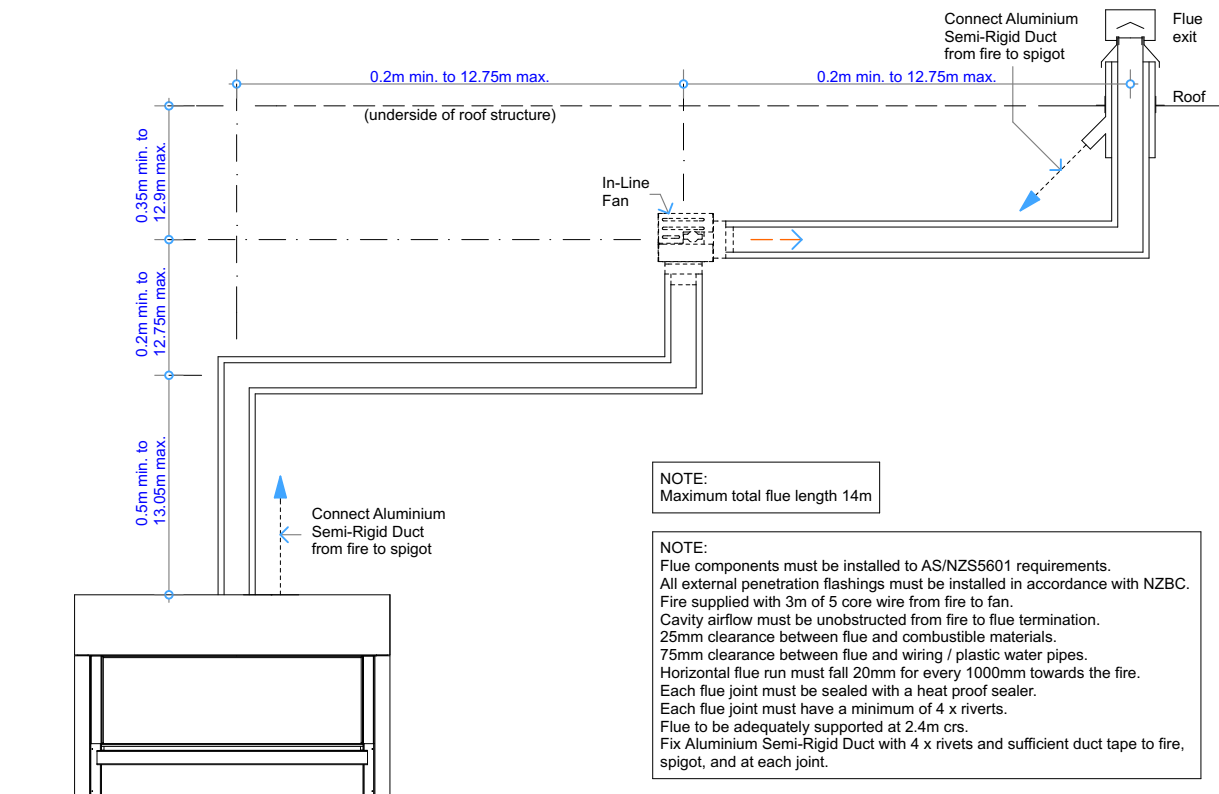
Client: THE FIRE DEPT.		
Product: GD12-1200		
Title: HORIZONTAL FLUE COMBINATION OPTIONS		
Drawn: SR	Date: 09/05/2018	
Chkd: JW	Date: 09/05/2018	
Appd: JW	Date: 09/05/2018	
Scale:		on A4



Drawing No.	GD12-1200-905	Sheet 05 of 07	Revision 5
-------------	---------------	----------------	------------



Vertical Flue Combination GD12C



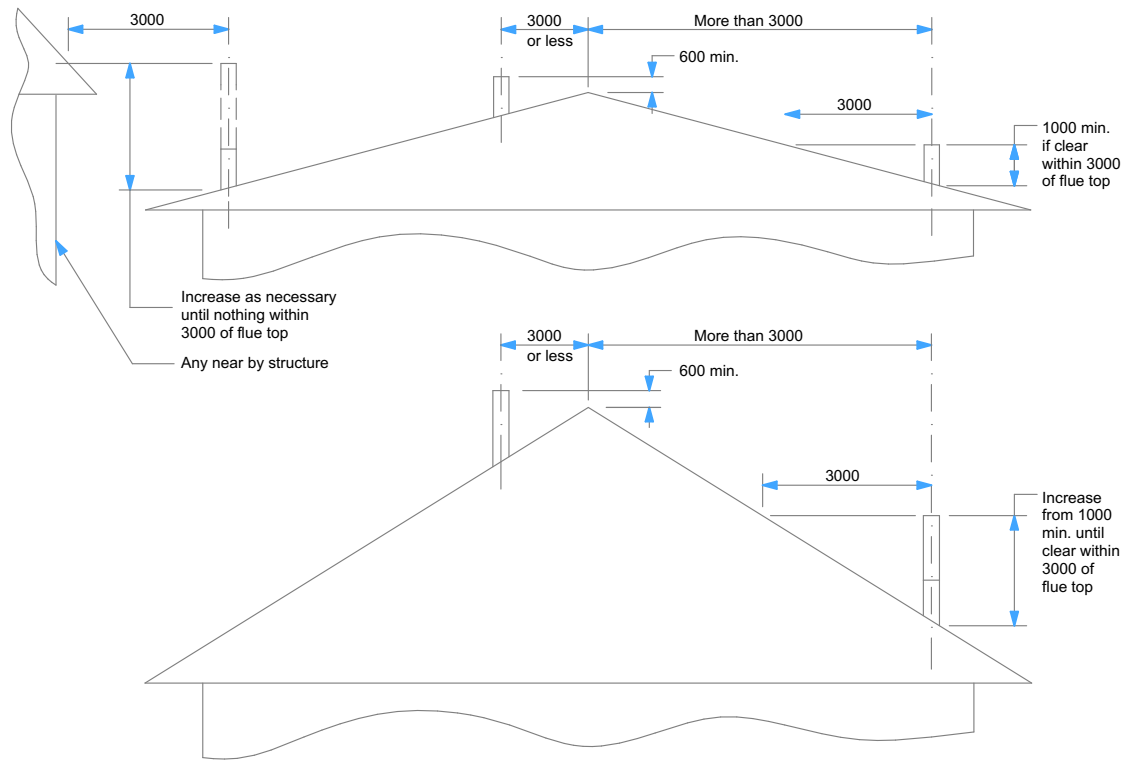
Vertical Flue Combination GD12D

COPYRIGHT©  
 THIS DRAWING IS THE PROPERTY  
 OF The Fire Dept.

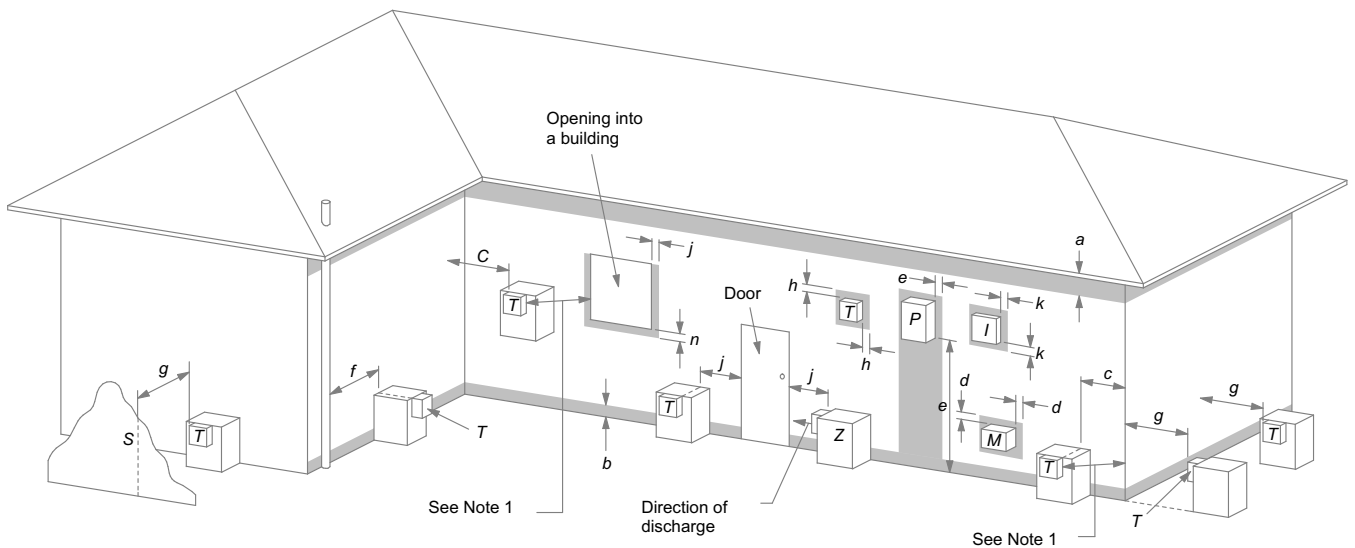
Client: THE FIRE DEPT.		
Product: GD12-1200		
Title: VERTICAL FLUE COMBINATION OPTIONS		
Drawn: SR	Date: 09/05/2018	
Chkd: JW	Date: 09/05/2018	
Appd: JW	Date: 09/05/2018	
Scale:		on A4



Drawing No.	<b>GD12-1200-906</b>	Sheet 06 of 07	Revision <span style="border: 1px solid black; padding: 2px;">5</span>
-------------	----------------------	----------------	--



**Minimum Height of Flue System Exit**  
Or as per AS/NZS 5601



- LEGEND:**
- I = Mechanical air inlet
  - M = Gas meter
  - P = Electricity meter or fuse box
  - S = Structure
  - T = Flue terminal
  - Z = Fan-assisted appliance only

- a = 200
- b = 300
- c = 300
- d = 1000
- e = 500
- f = 75
- g = 500
- h = 300
- j = 300 (at window) & 1500 (fan-assisted appliance by the door)
- k = 1000
- n = 500

- NOTES:**
- 1 Where dimensions c, j or k cannot be achieved an equivalent horizontal distance measured diagonally from the nearest discharge point of the terminal to the opening may be deemed by the *Technical Regulator* to comply.

Shading indicates prohibited area for flue terminals

**Location of Flue Terminals of Balanced Flue, Room-Sealed, Fan-Assisted or Outdoor Appliances**

**NOTE:** To be read in conjunction with AS/NZS 5601.1:2013

COPYRIGHT ©  
 THIS DRAWING IS THE PROPERTY  
 OF The Fire Dept.

Client: THE FIRE DEPT.

Product: GD12-1200

Title: FLUE EXIT CLEARANCES

Drawn: SR

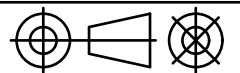
Date: 09/05/2018

Chkd: JW

Date: 09/05/2018

Appd: JW

Date: 09/05/2018



Scale: on A4



Drawing No. **GD12-1200-907**

Sheet 07 of 07

Revision **5**