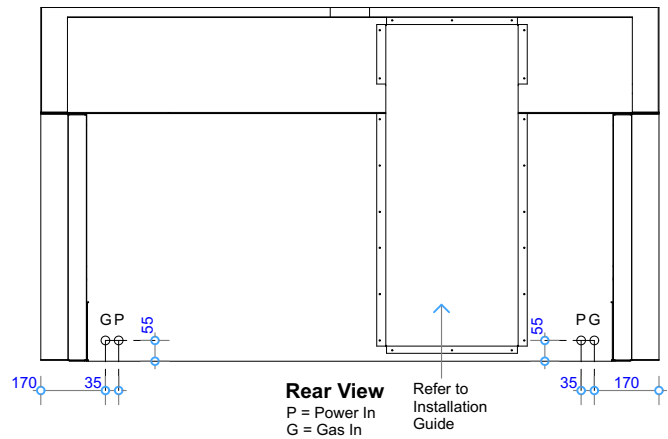
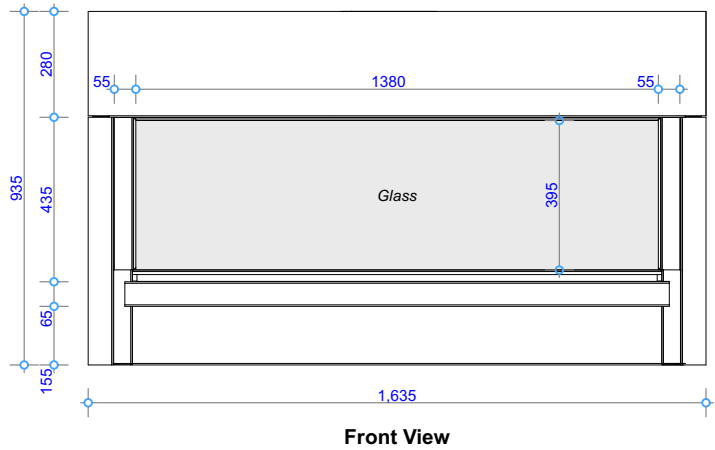
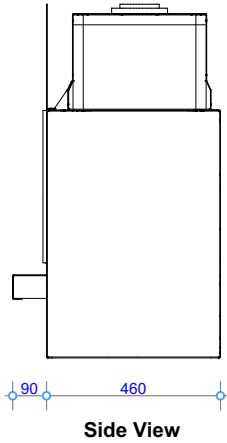
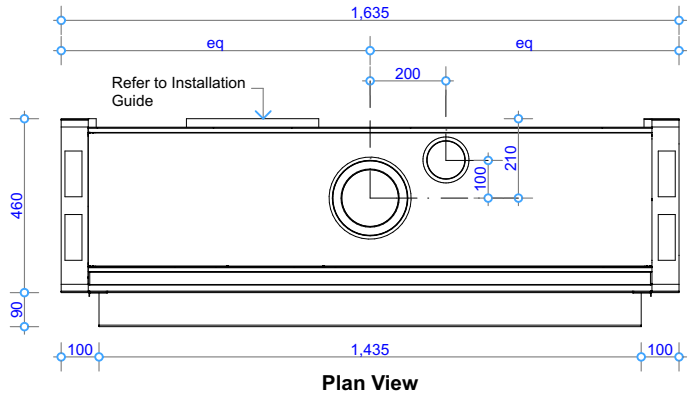




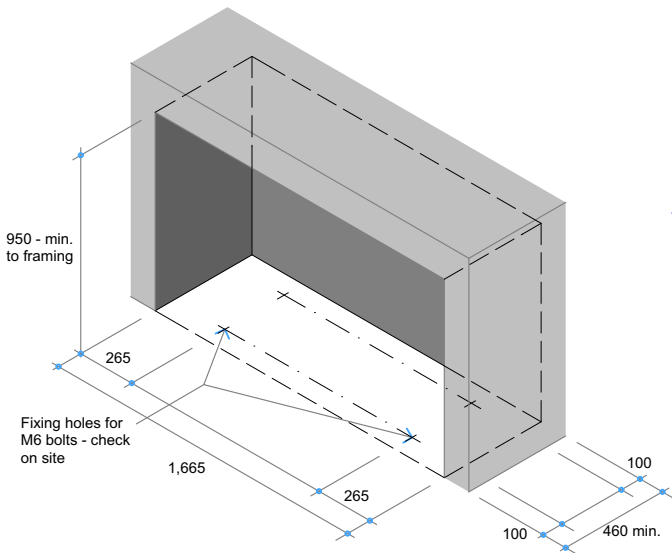
GD12 - 1400

Specifications

Information in this specification may be subject to change without notice. Please ensure you have the current version before beginning installation.



TOLERANCE = +/- 3mm



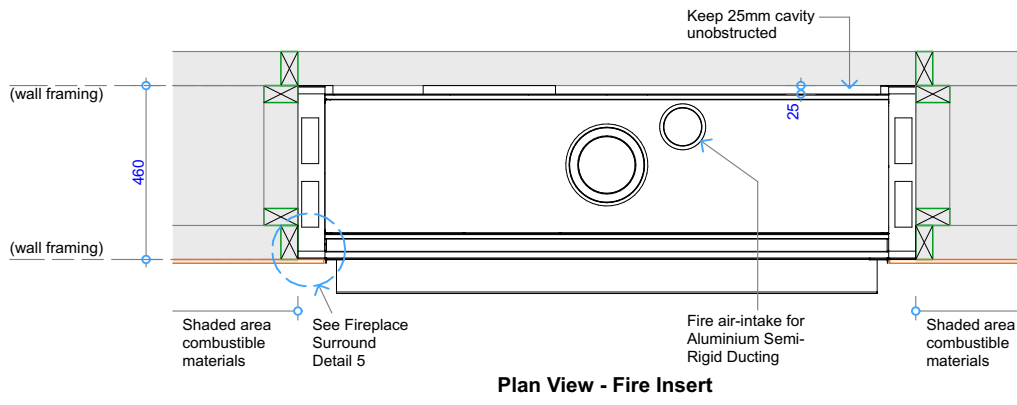
Fire Installation - Trim Sizes
NOTE: Confirm fixing holes on site prior to drilling

COPYRIGHT©
THIS DRAWING IS THE PROPERTY
OF The Fire Dept.

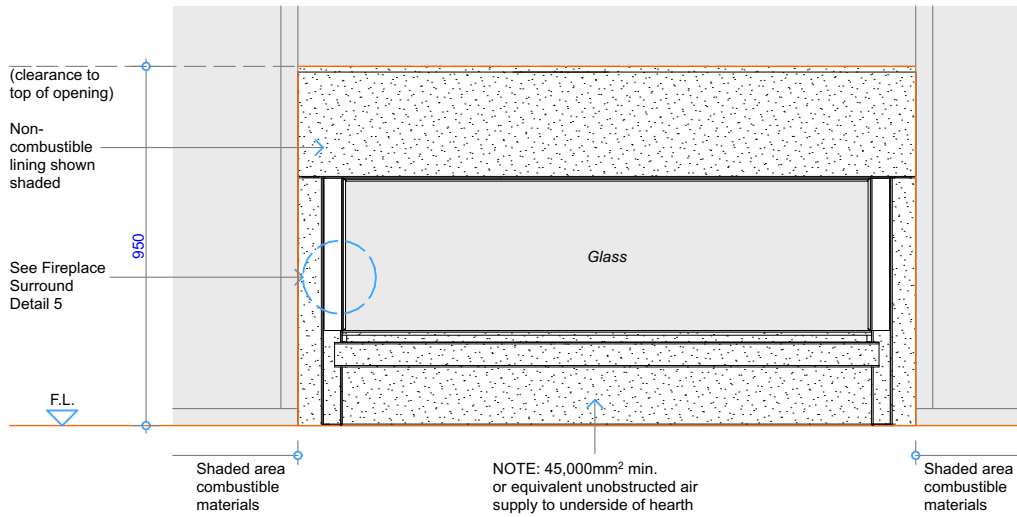
Client: THE FIRE DEPT.		
Product: GD12-1400		
Title: FIREBOX DIMENSIONS		
Drawn: SR	Date: 09/05/2018	
Chkd: JW	Date: 09/05/2018	
Appd: JW	Date: 09/05/2018	
Scale:		on A4



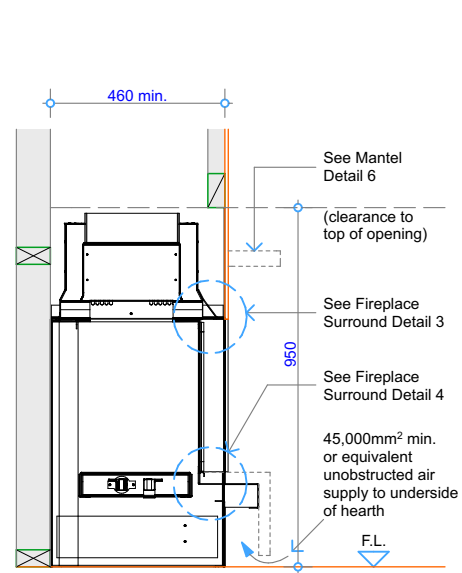
Drawing No.	GD12-1400-901	Sheet 01 of 07	Revision 5
-------------	----------------------	----------------	--



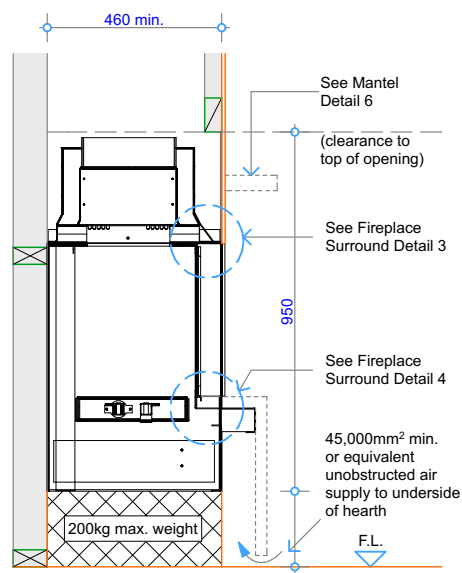
Plan View - Fire Insert



Front View - Fire Insert



Cross Section - Fire Insert at Floor Level



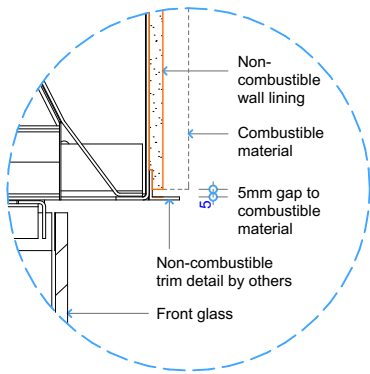
Cross Section - Fire Insert on Raised Plinth
NOTE: Plinth height can vary to suit

COPYRIGHT ©
 THIS DRAWING IS THE PROPERTY
 OF The Fire Dept.

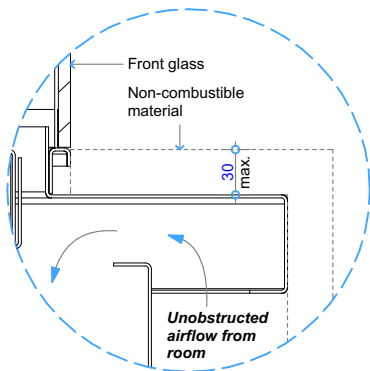
Client: THE FIRE DEPT.		
Product: GD12-1400		
Title: CAVITY CLEARANCES		
Drawn: SR	Date: 09/05/2018	
Chkd: JW	Date: 09/05/2018	
Appd: JW	Date: 09/05/2018	
Scale:		on A4



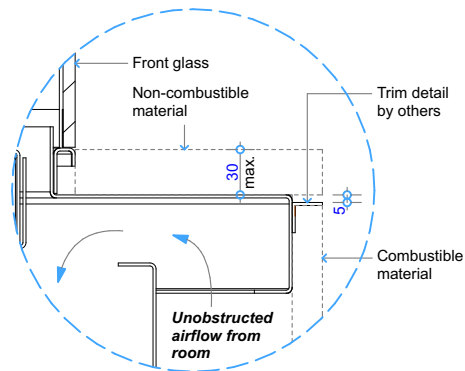
Drawing No.	GD12-1400-902	Sheet 02 of 07	Revision 5
-------------	---------------	----------------	------------



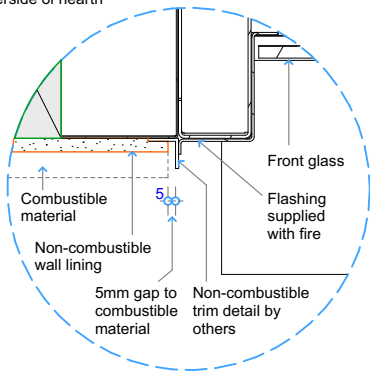
Detail 3 - Top of Fire to Combustible Materials



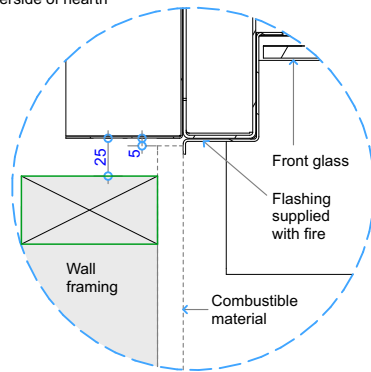
Detail 4 - Bottom of Fire to Floor Opt. 5
NOTE: 45,000mm² min. or equivalent unobstructed air supply to underside of hearth



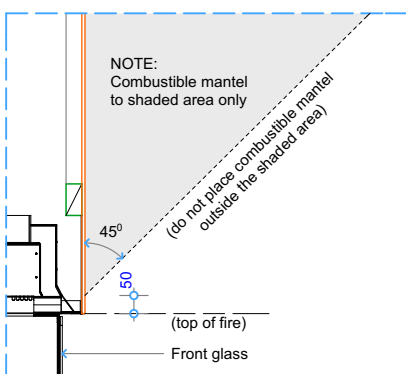
Detail 4 - Bottom of Fire to Floor Opt. 6
NOTE: 45,000mm² min. or equivalent unobstructed air supply to underside of hearth



Detail 5 - Plan View Fire Surround Opt. 7

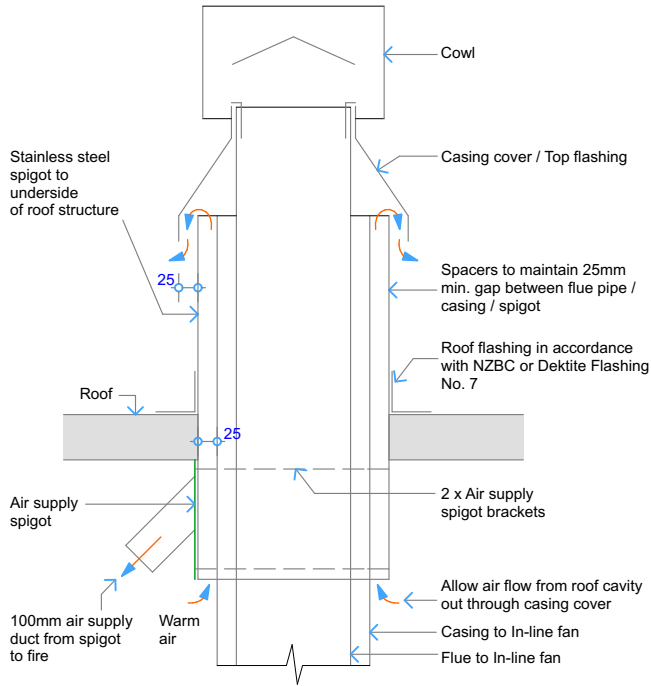


Detail 5 - Plan View Fire Surround Opt. 8



Detail 6 - Top of Fire to Combustible Mantel

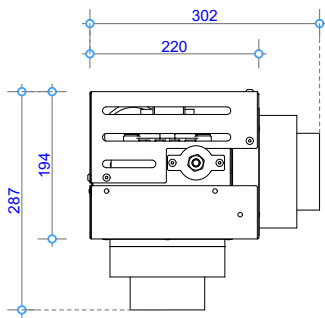
COPYRIGHT© THIS DRAWING IS THE PROPERTY OF The Fire Dept.	Client: THE FIRE DEPT.			
	Product: GD12-1400			
	Title: SURROUND DETAILS			
	Drawn: SR	Date: 09/05/2018		
	Chkd: JW	Date: 09/05/2018		
Appd: JW	Date: 09/05/2018	Scale: on A4		
Drawing No.	GD12-1400-903		Sheet 03 of 07	Revision 5



Detail - Air Ventilation through Casing cover/ Top flashing

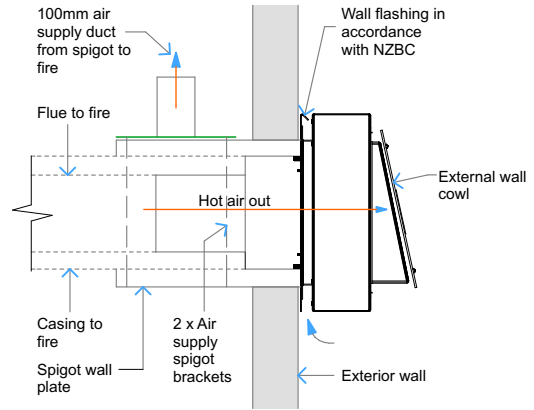
Flue components:
 100mm dia. Flue
 150mm dia. Casing
 200mm dia. Spigot
 Deklite Flashing No. 7

NOTE:
 Flue components must be installed to AS/NZS5601 requirements.
 All external penetration flashings must be installed in accordance with NZBC.
 Fire supplied with 3m of 5 core wire from fire to fan.
 Cavity airflow must be unobstructed from fire to flue termination.
 25mm clearance between flue and combustible materials.
 75mm clearance between flue and wiring / plastic water pipes.
 Horizontal flue run must fall 20mm for every 1000mm towards the fire.
 Each flue joint must be sealed with a heat proof sealer.
 Each flue joint must have a minimum of 4 x rivets.
 Flue to be adequately supported at 2.4m crs.
 Fix Aluminium Semi-Rigid Duct with 4 x rivets and sufficient duct tape to fire, spigot, and at each joint.



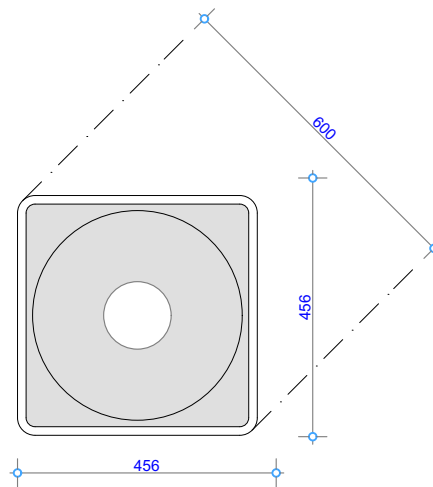
Detail - In-Line Fan

NOTE: Requires access hatch for maintenance




Detail - Air Ventilation through Wall

Flue components:
 100mm dia. Flue
 150mm dia. Casing
 200mm dia. Spigot



Deklite Flashing No. 7 - Plan View

COPYRIGHT ©
 THIS DRAWING IS THE PROPERTY
 OF The Fire Dept.

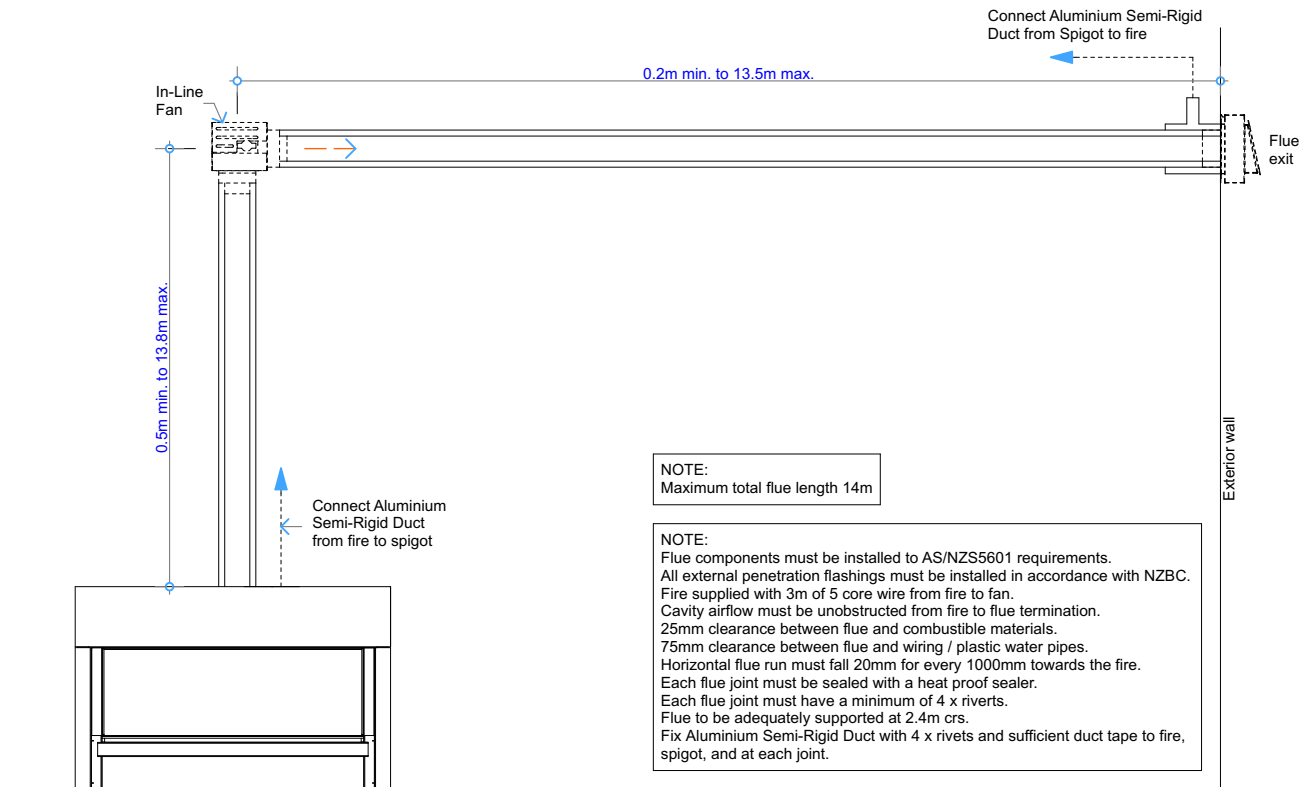
Client: THE FIRE DEPT.		
Product: GD12-1400		
Title: VERTICAL & HORIZONTAL FLUE EXIT DETAILS		
Drawn: SR	Date: 09/05/2018	
Chkd: JW	Date: 09/05/2018	
Appd: JW	Date: 09/05/2018	
Scale:		on A4



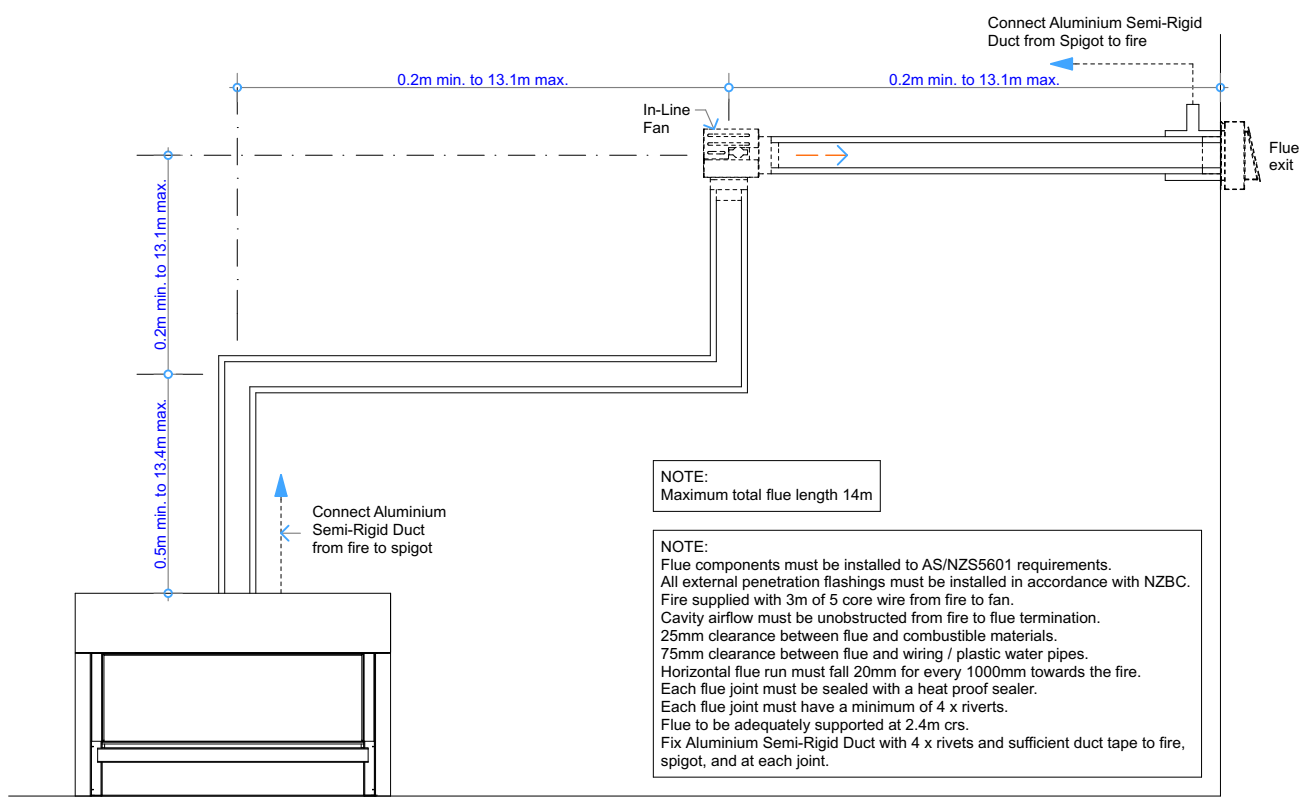
Drawing No. **GD12-1400-904**

Sheet 04 of 07

Revision 5

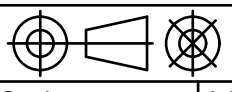


Horizontal Flue Combination GD12A



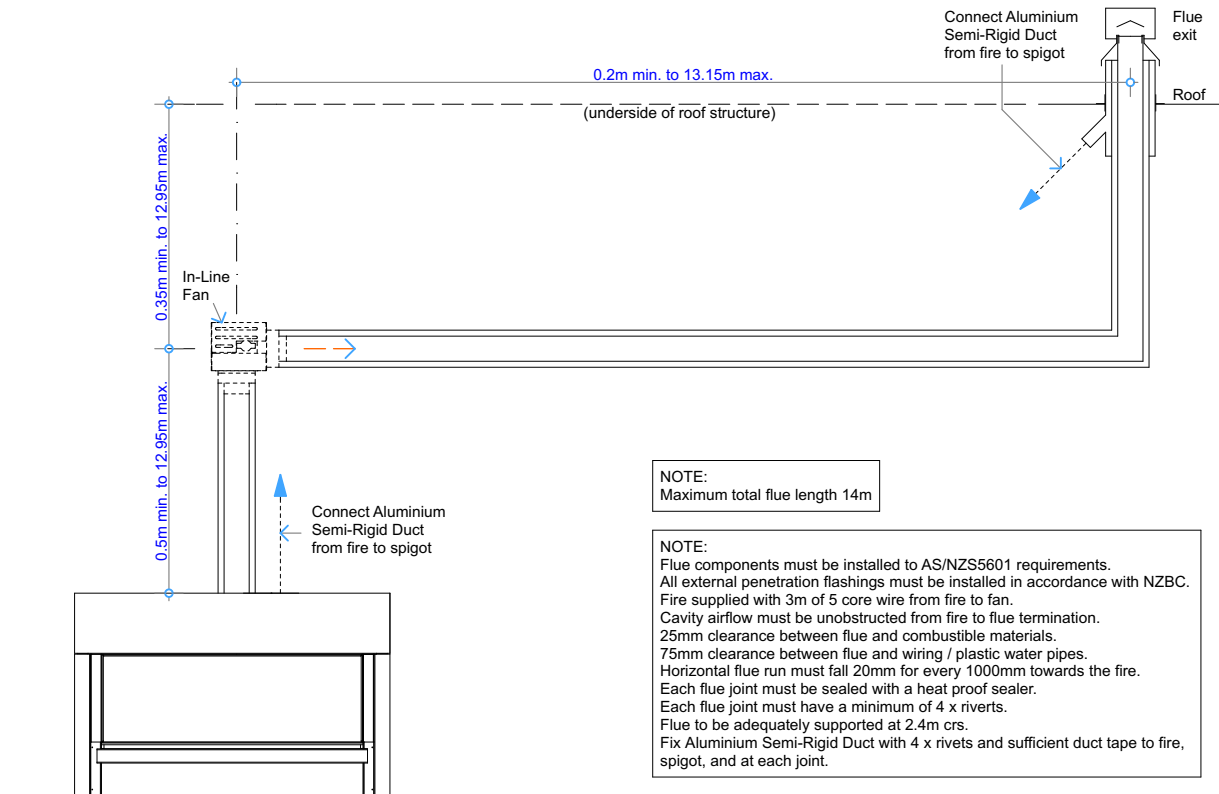
Horizontal Flue Combination GD12B

COPYRIGHT ©
 THIS DRAWING IS THE PROPERTY
 OF The Fire Dept.

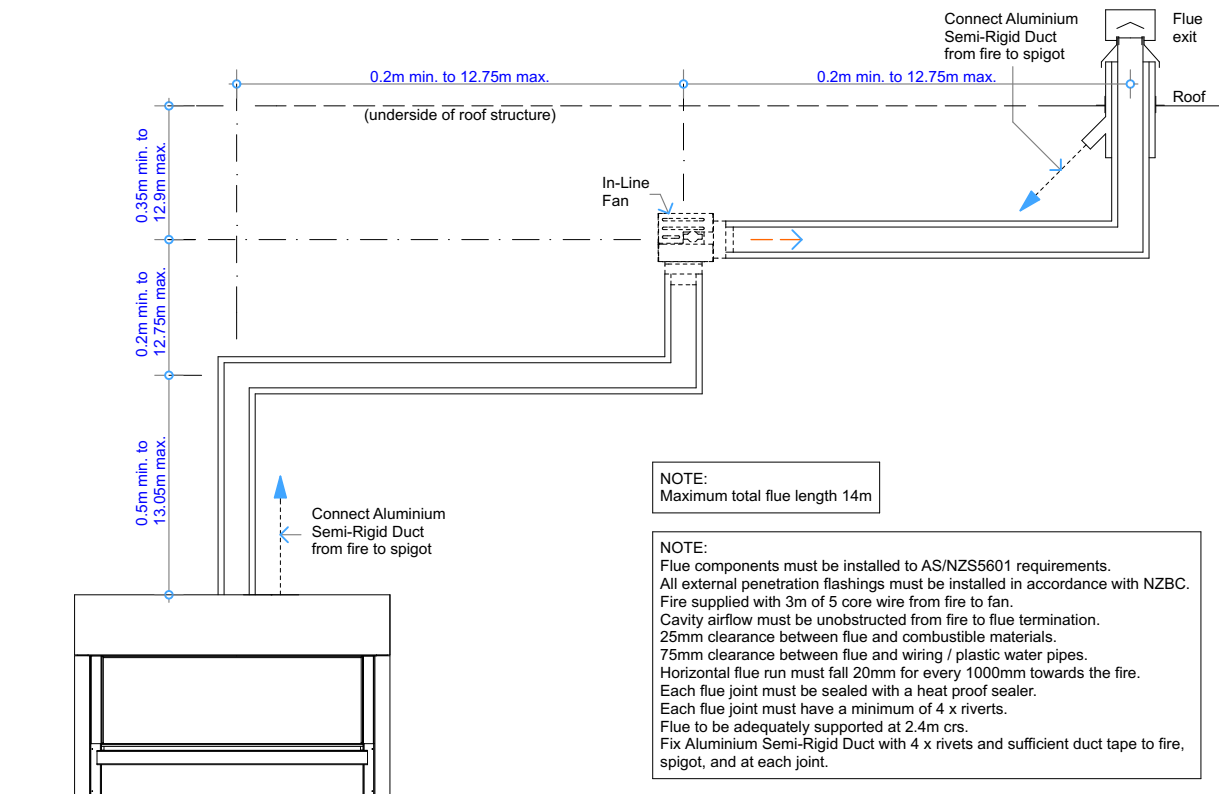
Client: THE FIRE DEPT.		
Product: GD12-1400		
Title: HORIZONTAL FLUE COMBINATION OPTIONS		
Drawn: SR	Date: 09/05/2018	
Chkd: JW	Date: 09/05/2018	
Appd: JW	Date: 09/05/2018	
		Scale: on A4



Drawing No.	GD12-1400-905	Sheet 05 of 07	Revision 5
-------------	----------------------	----------------	--



Vertical Flue Combination GD12C



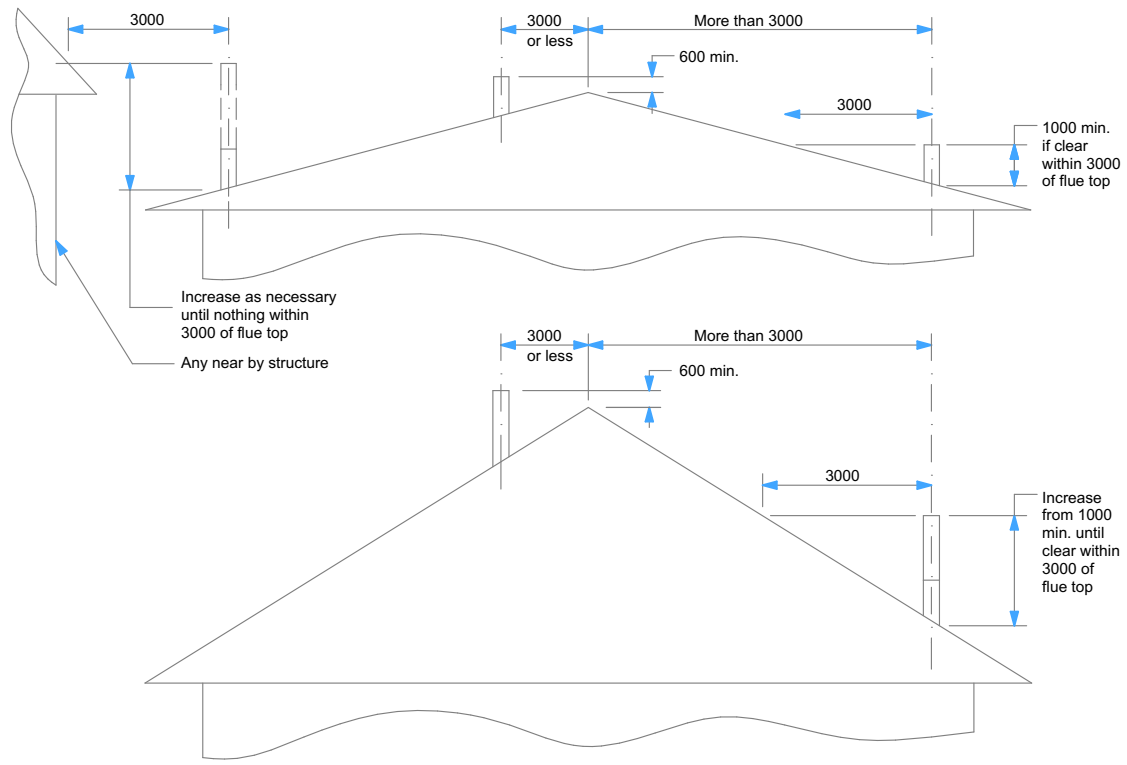
Vertical Flue Combination GD12D

COPYRIGHT ©
 THIS DRAWING IS THE PROPERTY
 OF The Fire Dept.

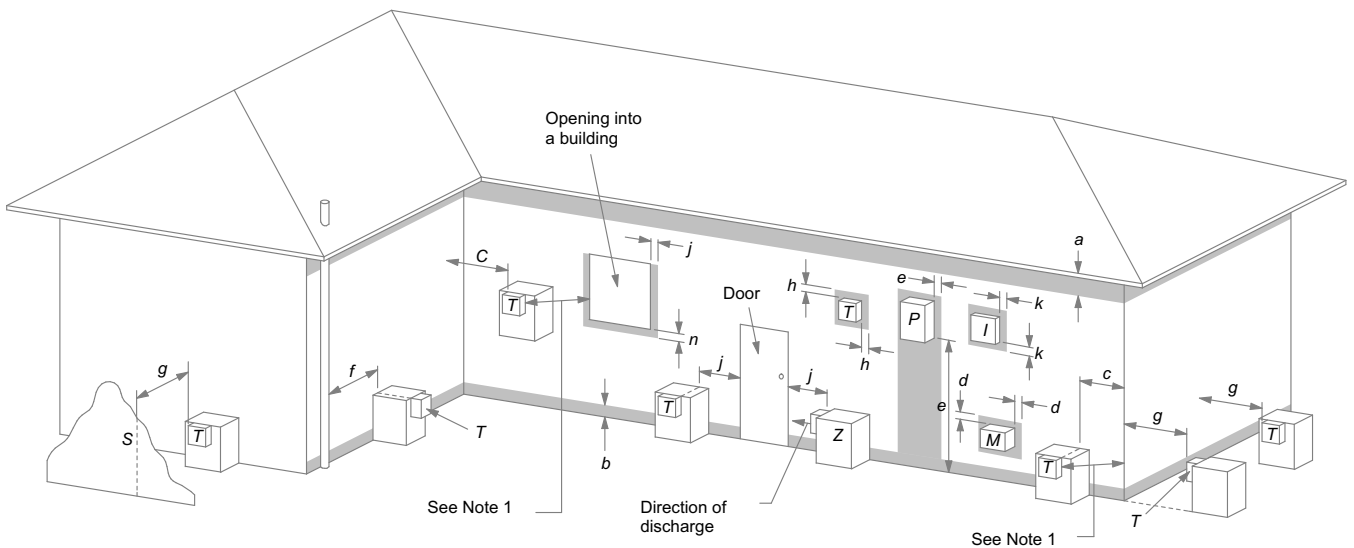
Client: THE FIRE DEPT.		
Product: GD12-1400		
Title: VERTICAL FLUE COMBINATION OPTIONS		
Drawn: SR	Date: 09/05/2018	
Chkd: JW	Date: 09/05/2018	
Appd: JW	Date: 09/05/2018	
Scale:		on A4



Drawing No.	GD12-1400-906	Sheet 06 of 07	Revision 5
-------------	---------------	----------------	------------



Minimum Height of Flue System Exit
Or as per AS/NZS 5601



- LEGEND:**
- I = Mechanical air inlet
 - M = Gas meter
 - P = Electricity meter or fuse box
 - S = Structure
 - T = Flue terminal
 - Z = Fan-assisted appliance only

- a = 200
- b = 300
- c = 300
- d = 1000
- e = 500
- f = 75
- g = 500
- h = 300
- j = 300 (at window) & 1500 (fan-assisted appliance by the door)
- k = 1000
- n = 500

- NOTES:**
- 1 Where dimensions c, j or k cannot be achieved an equivalent horizontal distance measured diagonally from the nearest discharge point of the terminal to the opening may be deemed by the *Technical Regulator* to comply.

Shading indicates prohibited area for flue terminals

Location of Flue Terminals of Balanced Flue, Room-Sealed, Fan-Assisted or Outdoor Appliances

NOTE: To be read in conjunction with AS/NZS 5601.1:2013

COPYRIGHT ©
 THIS DRAWING IS THE PROPERTY
 OF The Fire Dept.

Client: THE FIRE DEPT.		
Product: GD12-1400		
Title: FLUE EXIT CLEARANCES		
Drawn: SR	Date: 09/05/2018	
Chkd: JW	Date: 09/05/2018	
Appd: JW	Date: 09/05/2018	
Scale: on A4		



Drawing No.	GD12-1400-907	Sheet 07 of 07	Revision 5
-------------	----------------------	----------------	--