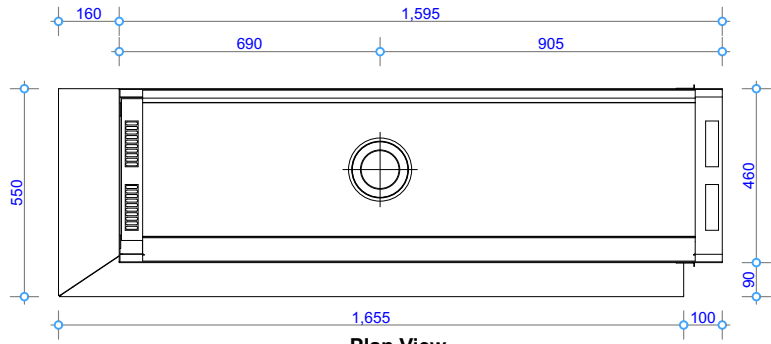




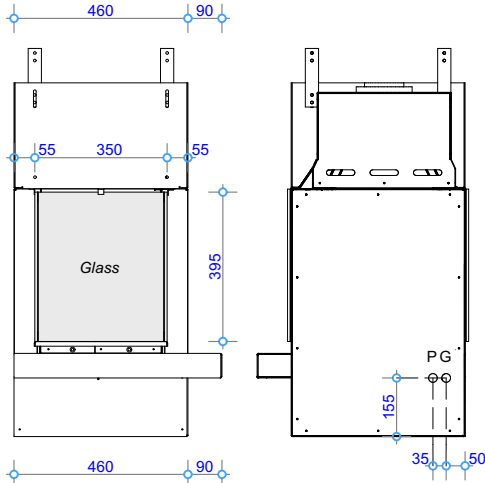
## **GD3 - 1400 Glass Left**

### **Specifications**

Information in this specification may be subject to change without notice. Please ensure you have the current version before beginning installation.



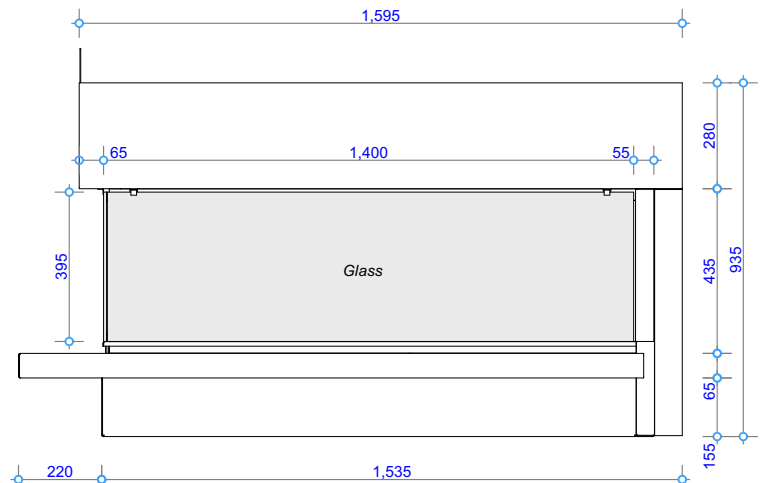
**Plan View**



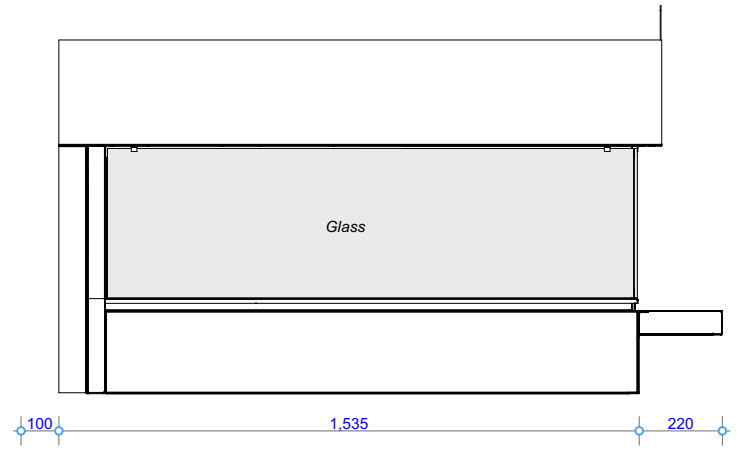
**Side View**

**Side View**

P = Power In  
G = Gas In

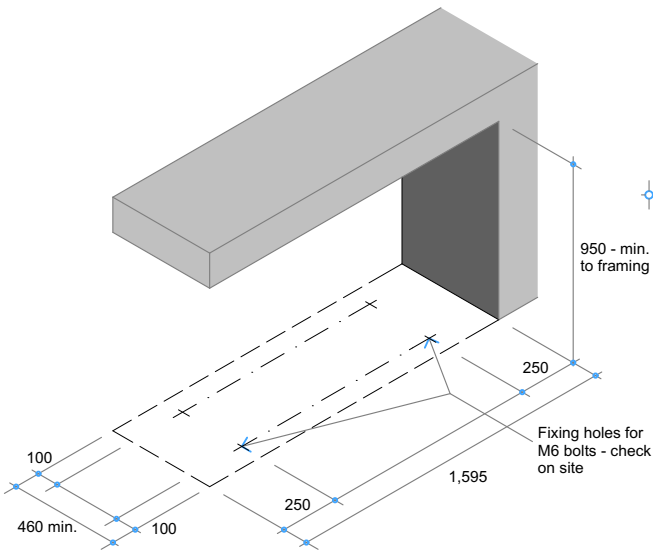


**Front View**



**Rear View**

TOLERANCE = +/- 3mm



**Fire Installation - Trim Sizes**

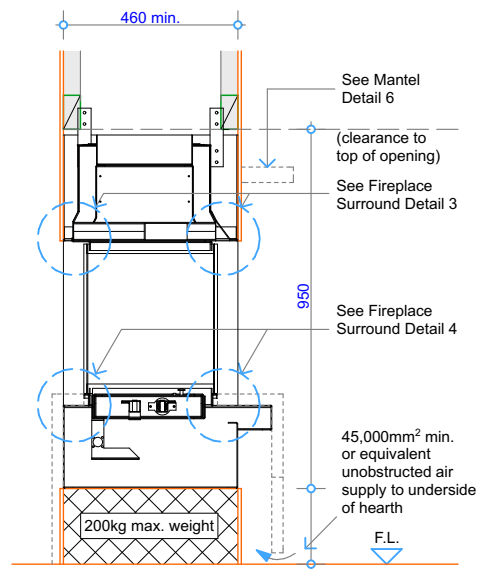
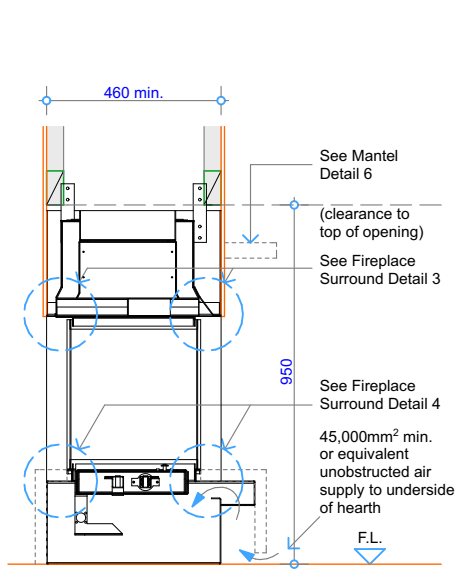
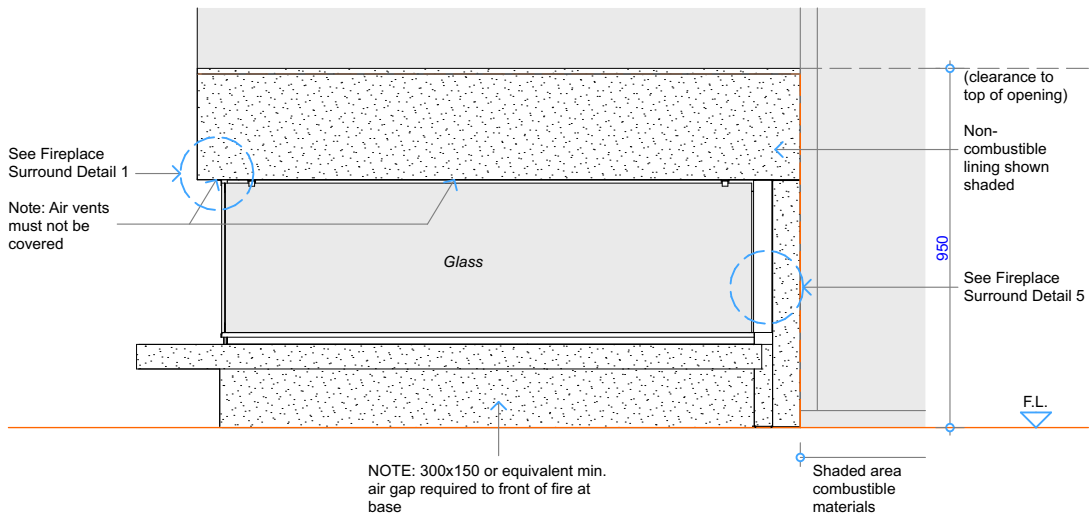
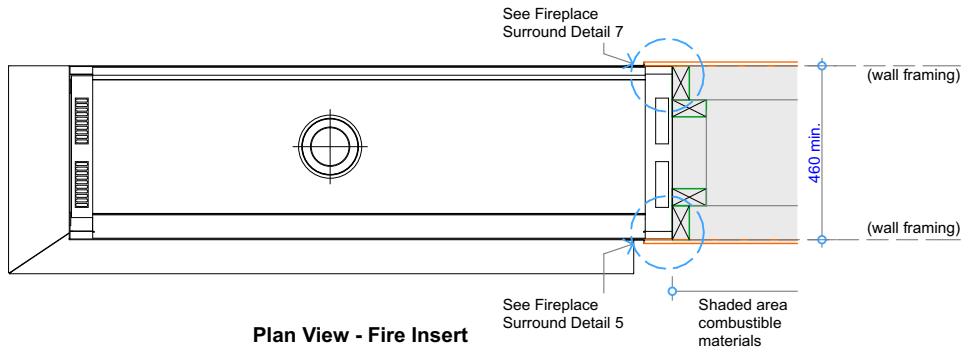
NOTE: Confirm fixing holes on site prior to drilling

COPYRIGHT ©  
THIS DRAWING IS THE PROPERTY  
OF The Fire Dept.

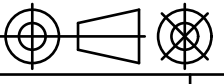
Client: THE FIRE DEPT.		
Product: GD3-1400-GLASS LEFT		
Title: FIREBOX DIMENSIONS		
Drawn: SR	Date: 27/03/2018	
Chkd: JW	Date: 27/03/2018	
Appd: JW	Date: 27/03/2018	
Scale:		on A4



Drawing No.	<b>GD3-1400-901L</b>	Sheet 01 of 08	Revision <span style="border: 1px solid black; padding: 2px;">4</span>
-------------	----------------------	----------------	--

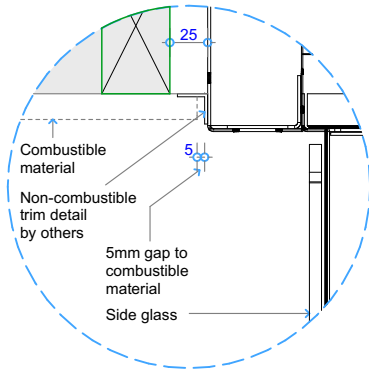


COPYRIGHT ©  
 THIS DRAWING IS THE PROPERTY  
 OF The Fire Dept.

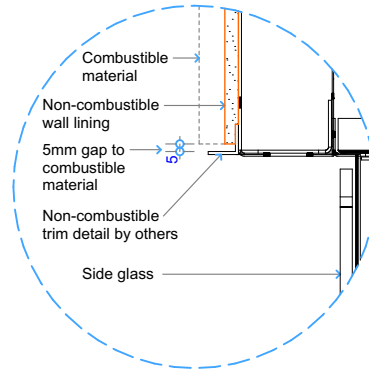
Client: THE FIRE DEPT.		
Product: GD3-1400-GLASS LEFT		
Title: CAVITY CLEARANCES		
Drawn: SR	Date: 27/03/2018	
Chkd: JW	Date: 27/03/2018	
Appd: JW	Date: 27/03/2018	
Scale:		on A4



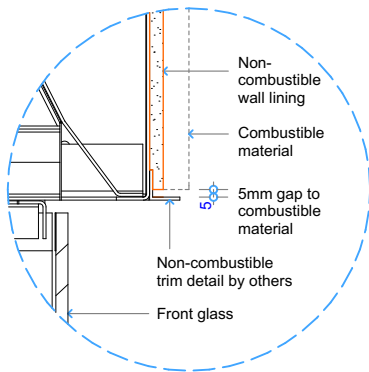
Drawing No.	<b>GD3-1400-902L</b>	Sheet 02 of 08	Revision <span style="border: 1px solid black; padding: 2px;">4</span>
-------------	----------------------	----------------	--



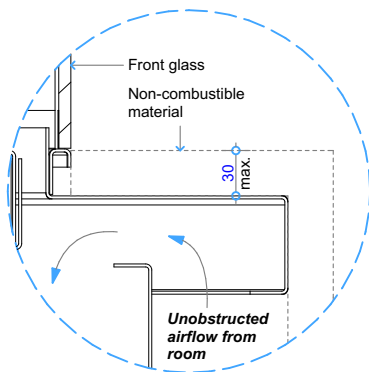
**Detail 1 - Cross Section Fire Surround Opt. 1**



**Detail 1 - Cross Section Fire Surround Opt. 2**

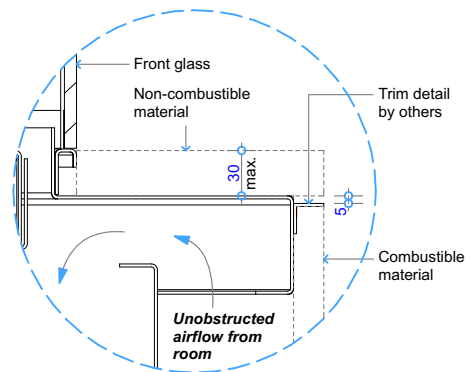


**Detail 3 - Top of Fire to Combustible Materials**



**Detail 4 - Bottom of Fire to Floor Opt. 5**

NOTE: 45,000mm<sup>2</sup> min. or equivalent unobstructed air supply to underside of hearth



**Detail 4 - Bottom of Fire to Floor Opt. 6**

NOTE: 45,000mm<sup>2</sup> min. or equivalent unobstructed air supply to underside of hearth

COPYRIGHT©  
 THIS DRAWING IS THE PROPERTY  
 OF **The Fire Dept.**

Client: THE FIRE DEPT.		
Product: GD3-1400-GLASS LEFT		
Title: SURROUND DETAILS		
Drawn: SR	Date: 27/03/2018	
Chkd: JW	Date: 27/03/2018	
Appd: JW	Date: 27/03/2018	
Scale:		on A4

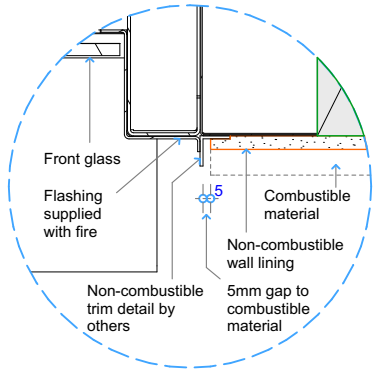


Drawing No. **GD3-1400-903L**

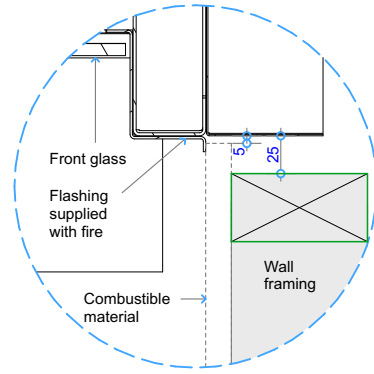
Sheet 03 of 08

Revision

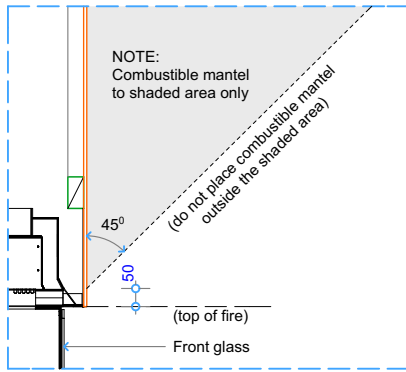
4



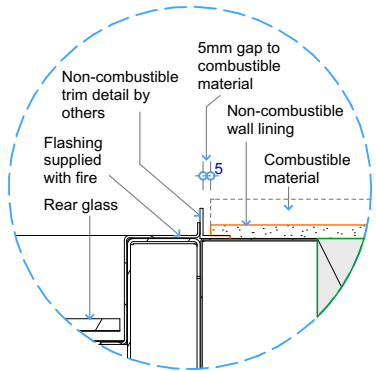
Detail 5 - Plan View Fire Surround Opt. 7



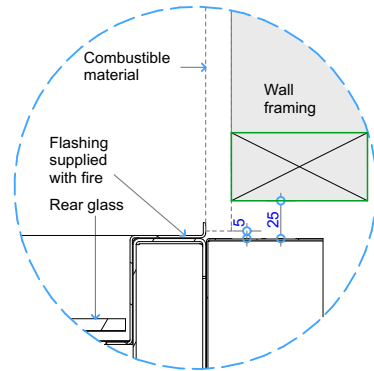
Detail 5 - Plan View Fire Surround Opt. 8



Detail 6 - Top of Fire to Combustible Mantel

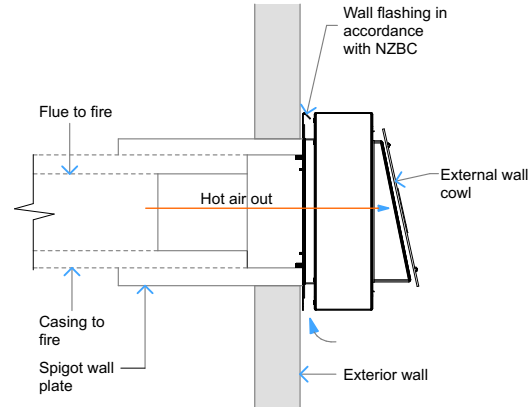
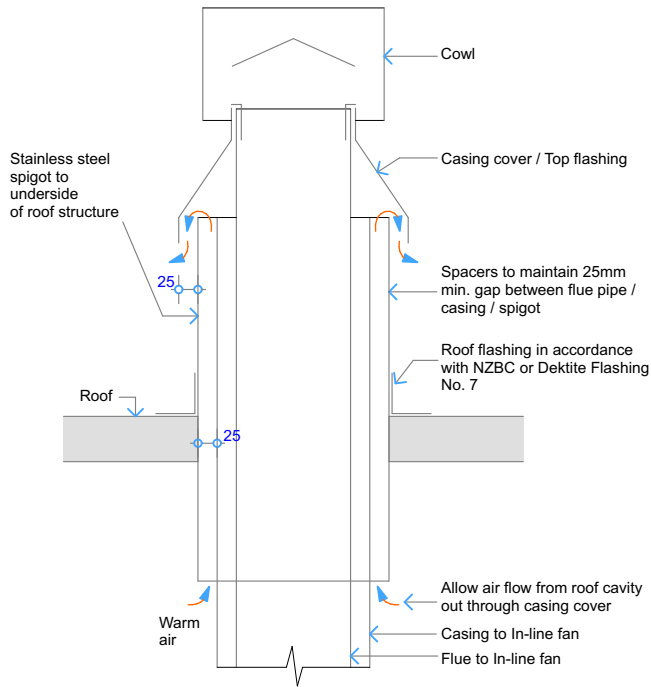


Detail 7 - Plan View Fire Surround Opt. 9



Detail 7 - Plan View Fire Surround Opt. 10

COPYRIGHT© THIS DRAWING IS THE PROPERTY OF <b>The Fire Dept.</b>	Client: THE FIRE DEPT.			
	Product: GD3-1400-GLASS LEFT			
	Title: SURROUND DETAILS			
	Drawn: SR	Date: 27/03/2018		
	Chkd: JW	Date: 27/03/2018		
Appd: JW	Date: 27/03/2018	Scale: on A4		
Drawing No.	GD3-1400-904L		Sheet 04 of 08	Revision <span style="border: 1px solid black; padding: 2px;">4</span>



**Detail - Air Ventilation through Casing cover/ Top flashing**

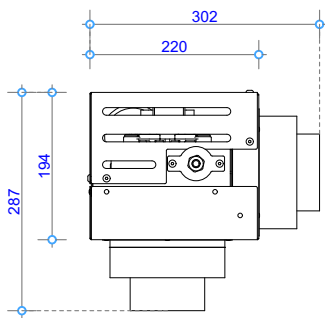
Flue components:  
 100mm dia. Flue  
 150mm dia. Casing  
 200mm dia. Spigot  
 Deklite flashing No. 7

**NOTE:**

Flue components must be installed to AS/NZS5601 requirements.  
 All external penetration flashings must be installed in accordance with NZBC.  
 Fire supplied with 3m of 5 core wire from fire to fan.  
 Cavity airflow must be unobstructed from fire to flue termination.  
 25mm clearance between flue and combustible materials.  
 75mm clearance between flue and wiring / plastic water pipes.  
 Horizontal flue run must fall 20mm for every 1000mm towards the fire.  
 Each flue joint must be sealed with a heat proof sealer.  
 Each flue joint must have a minimum of 4 x riverts.  
 Flue to be adequately supported at 2.4m crs.

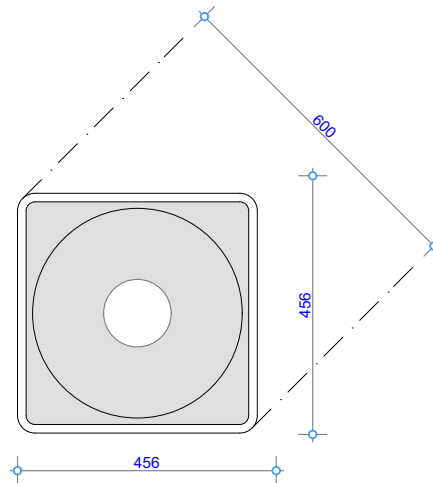
**Detail - Air Ventilation through Wall**

Flue components:  
 100mm dia. Flue  
 150mm dia. Casing  
 200mm dia. Spigot



**Detail - In-Line Fan**

NOTE: Requires access hatch for maintenance



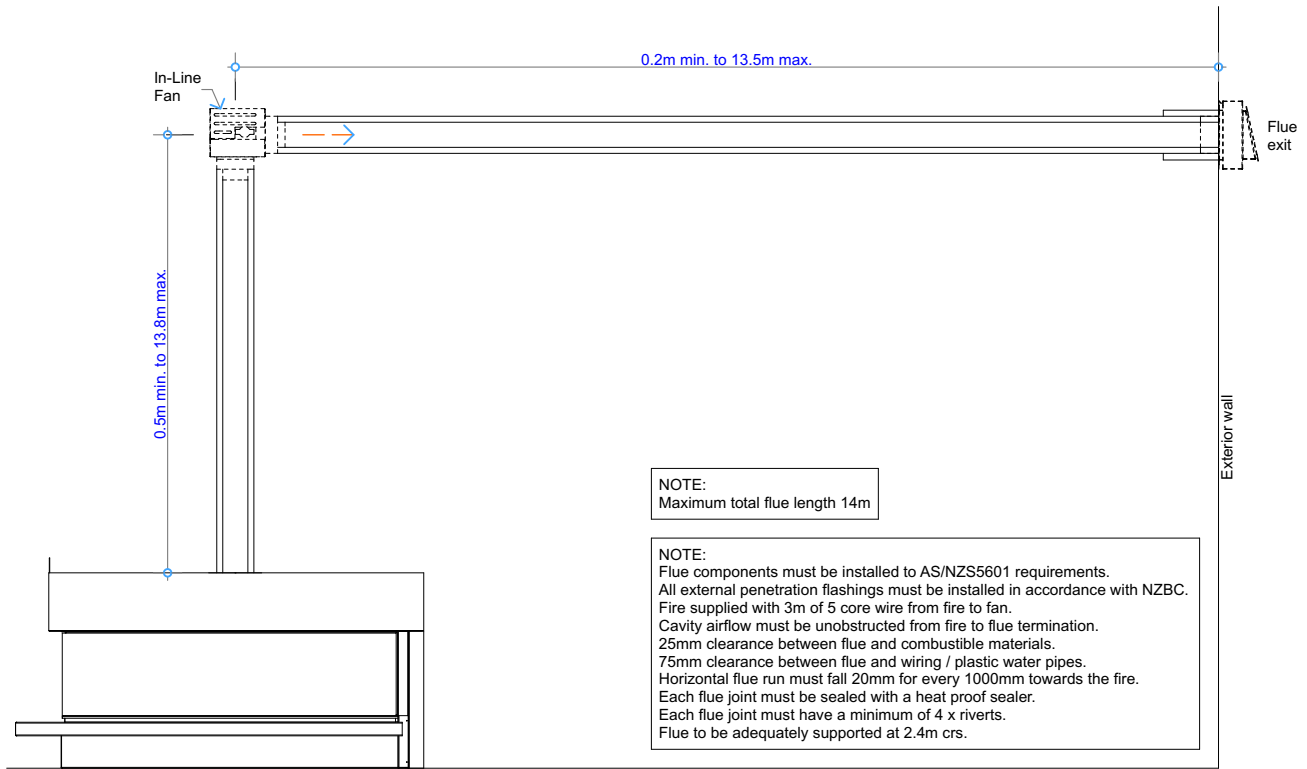
**Deklite Flashing No. 7 - Plan View**

COPYRIGHT ©  
 THIS DRAWING IS THE PROPERTY  
 OF The Fire Dept.

Client: THE FIRE DEPT.		
Product: GD3-1400-GLASS LEFT		
Title: VERTICAL & HORIZONTAL FLUE EXIT DETAILS		
Drawn: SR	Date: 27/03/2018	
Chkd: JW	Date: 27/03/2018	
Appd: JW	Date: 27/03/2018	
Scale:		on A4



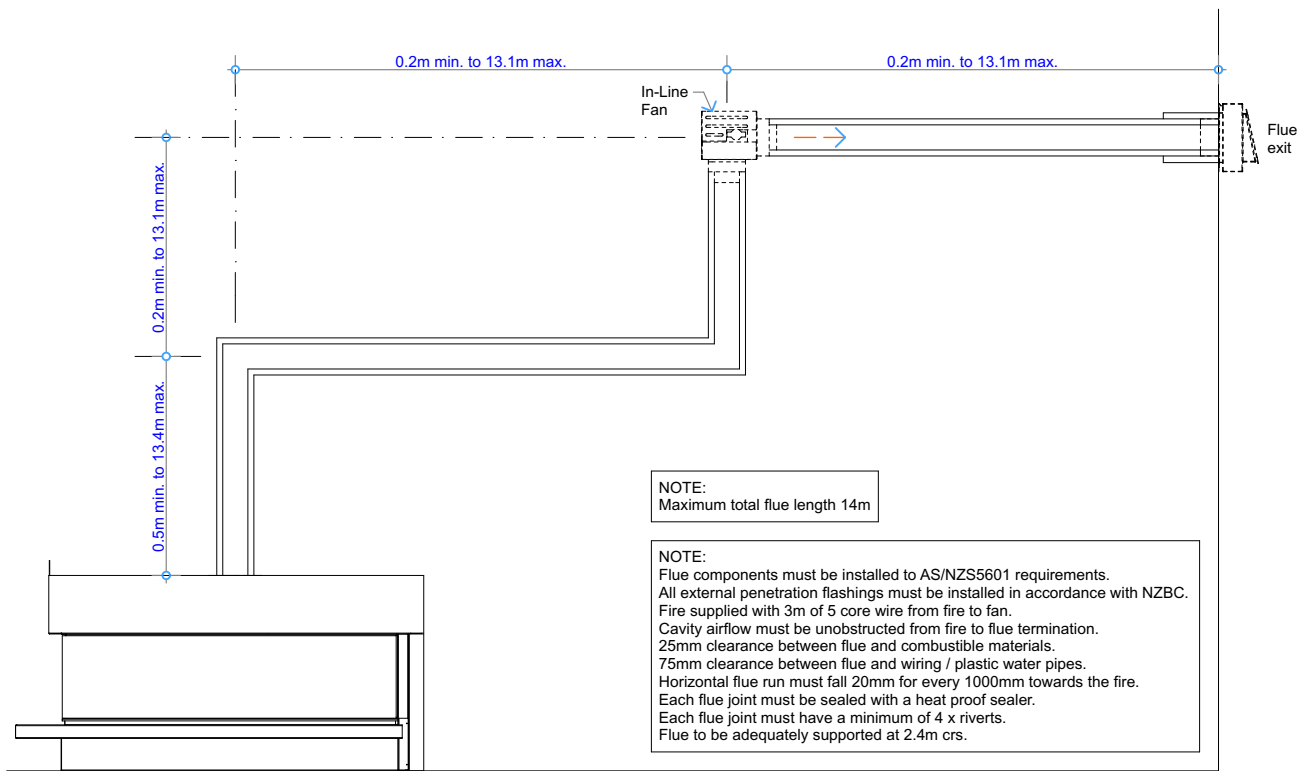
Drawing No.	<b>GD3-1400-905L</b>	Sheet 05 of 08	Revision <span style="border: 1px solid black; padding: 2px;">4</span>
-------------	----------------------	----------------	--



NOTE:  
Maximum total flue length 14m

NOTE:  
Flue components must be installed to AS/NZS5601 requirements.  
All external penetration flashings must be installed in accordance with NZBC.  
Fire supplied with 3m of 5 core wire from fire to fan.  
Cavity airflow must be unobstructed from fire to flue termination.  
25mm clearance between flue and combustible materials.  
75mm clearance between flue and wiring / plastic water pipes.  
Horizontal flue run must fall 20mm for every 1000mm towards the fire.  
Each flue joint must be sealed with a heat proof sealer.  
Each flue joint must have a minimum of 4 x rivets.  
Flue to be adequately supported at 2.4m crs.

**Horizontal Flue Combination GD3A**

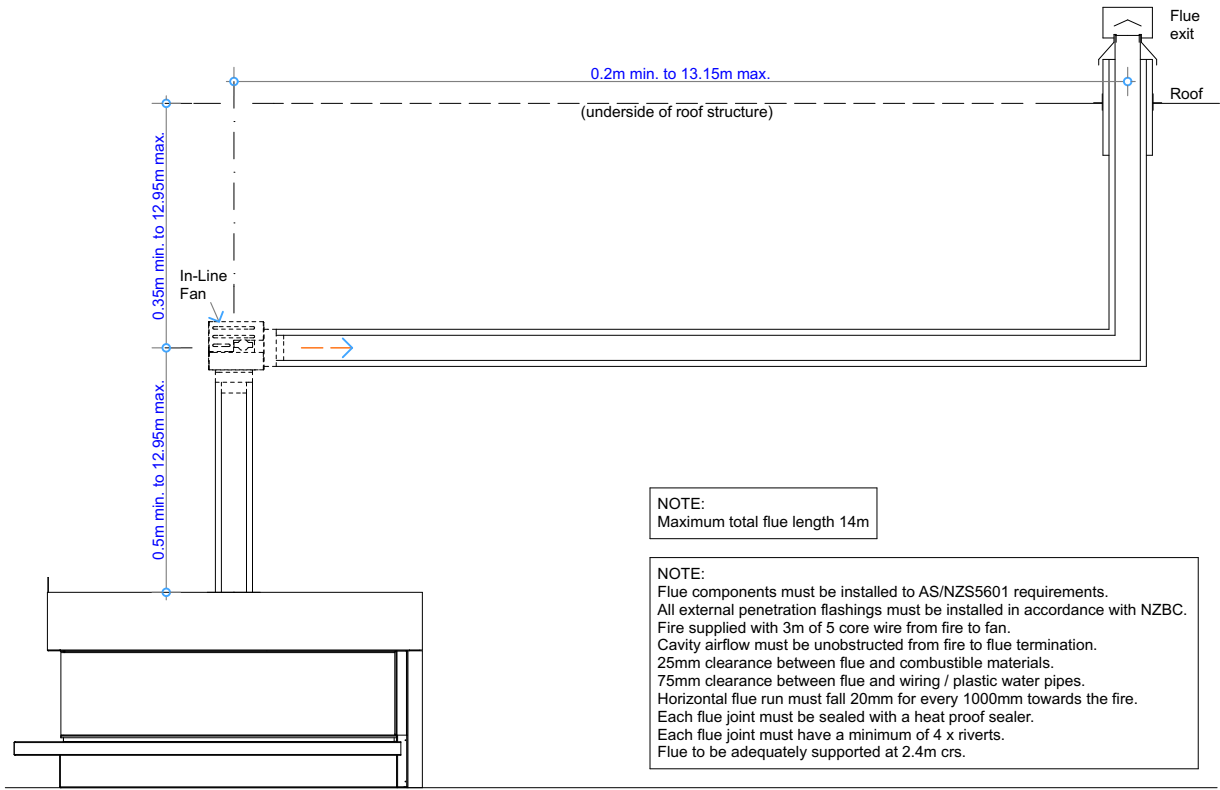


NOTE:  
Maximum total flue length 14m

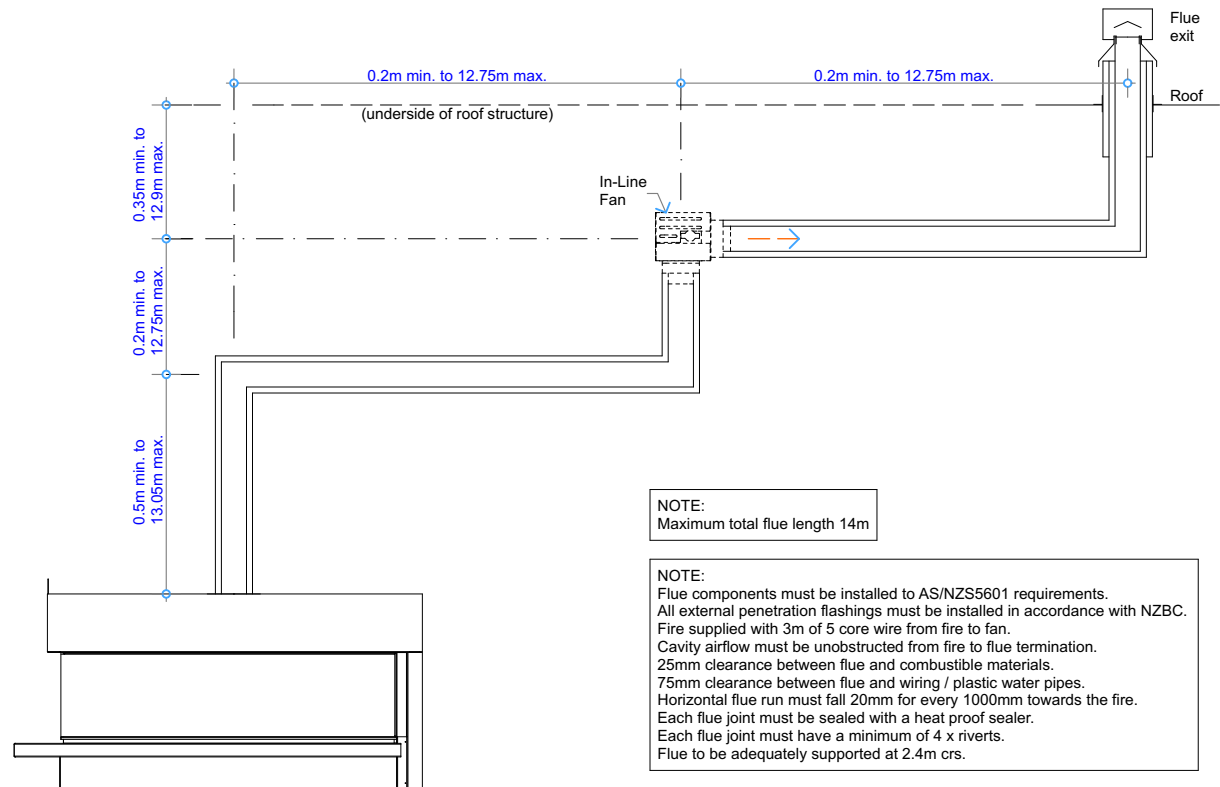
NOTE:  
Flue components must be installed to AS/NZS5601 requirements.  
All external penetration flashings must be installed in accordance with NZBC.  
Fire supplied with 3m of 5 core wire from fire to fan.  
Cavity airflow must be unobstructed from fire to flue termination.  
25mm clearance between flue and combustible materials.  
75mm clearance between flue and wiring / plastic water pipes.  
Horizontal flue run must fall 20mm for every 1000mm towards the fire.  
Each flue joint must be sealed with a heat proof sealer.  
Each flue joint must have a minimum of 4 x rivets.  
Flue to be adequately supported at 2.4m crs.

**Horizontal Flue Combination GD3B**

COPYRIGHT© THIS DRAWING IS THE PROPERTY OF The Fire Dept.	Client: THE FIRE DEPT.			
	Product: GD3-1400-GLASS LEFT			
	Title: HORIZONTAL FLUE COMBINATION OPTIONS			
	Drawn: SR	Date: 27/03/2018		
	Chkd: JW	Date: 27/03/2018		
Appd: JW	Date: 27/03/2018	Scale: on A4		
Drawing No.	GD3-1400-906L		Sheet 06 of 08	
			Revision <span style="border: 1px solid black; padding: 2px;">4</span>	



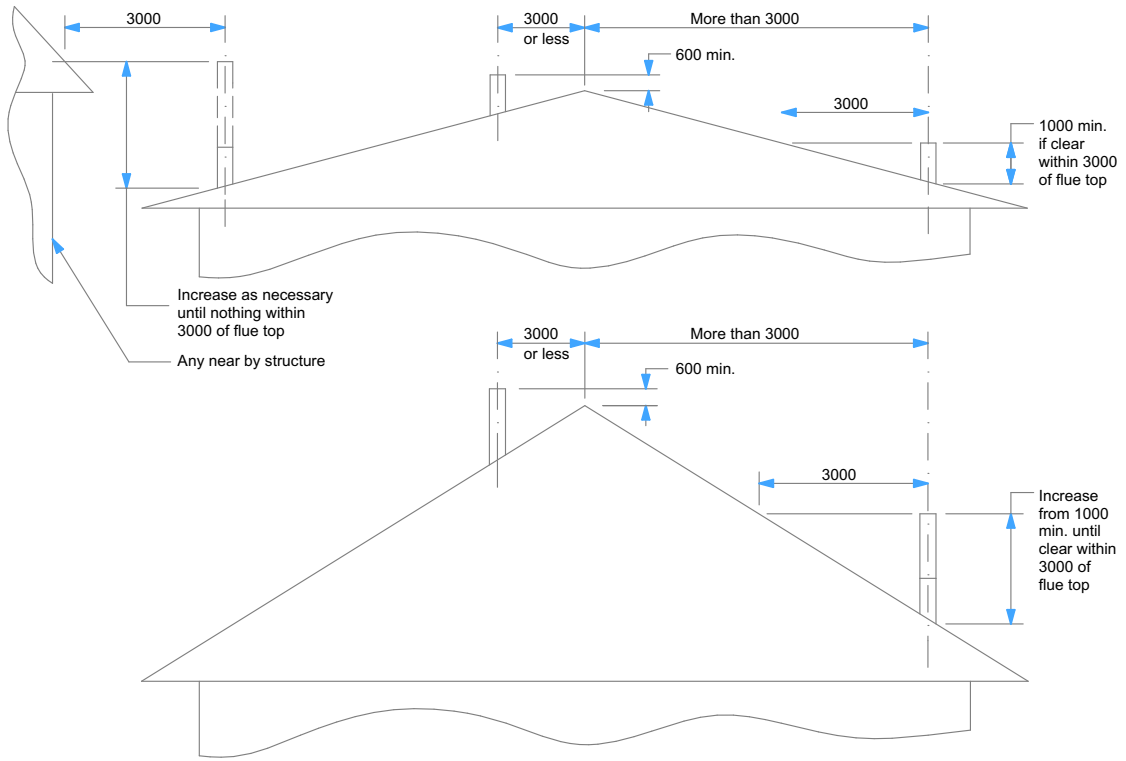
**Vertical Flue Combination GD3C**



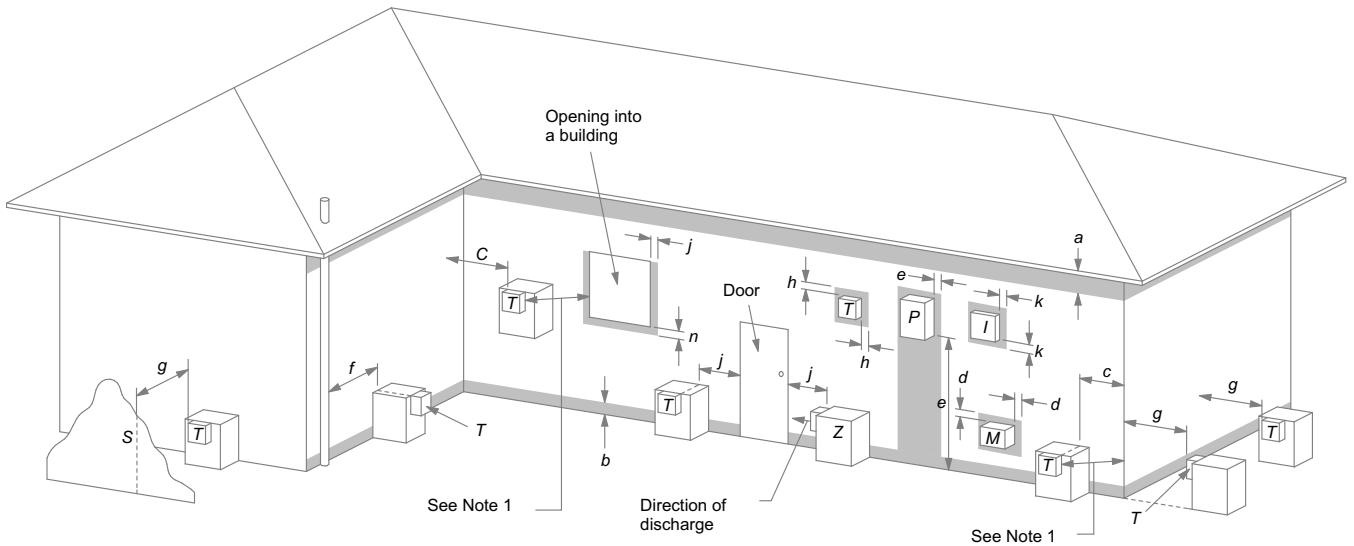
**Vertical Flue Combination GD3D**

COPYRIGHT© THIS DRAWING IS THE PROPERTY OF The Fire Dept.	Client: THE FIRE DEPT.			
	Product: GD3-1400-GLASS LEFT			
	Title: VERTICAL FLUE COMBINATION OPTIONS			
	Drawn: SR	Date: 27/03/2018		
	Chkd: JW	Date: 27/03/2018		
Appd: JW	Date: 27/03/2018	Scale: on A4		
Drawing No.	GD3-1400-907L		Sheet 07 of 08	
			Revision <span style="border: 1px solid black; padding: 2px;">4</span>	





**Minimum Height of Flue System Exit**  
Or as per AS/NZS 5601



**LEGEND:**

- I* = Mechanical air inlet
- M* = Gas meter
- P* = Electricity meter or fuse box
- S* = Structure
- T* = Flue terminal
- Z* = Fan-assisted appliance only

- a* = 200
- b* = 300
- c* = 300
- d* = 1000
- e* = 500
- f* = 75
- g* = 500
- h* = 300
- j* = 300 (at window) & 1500 (fan-assisted appliance by the door)
- k* = 1000
- n* = 500

**NOTES:**

- 1 Where dimensions *c*, *j* or *k* cannot be achieved an equivalent horizontal distance measured diagonally from the nearest discharge point of the terminal to the opening may be deemed by the *Technical Regulator* to comply.

Shading indicates prohibited area for flue terminals

**Location of Flue Terminals of Balanced Flue, Room-Sealed, Fan-Assisted or Outdoor Appliances**

**NOTE:** To be read in conjunction with AS/NZS 5601.1:2013

COPYRIGHT ©  
 THIS DRAWING IS THE PROPERTY  
 OF The Fire Dept.

Client: THE FIRE DEPT.		
Product: GD3-1400-GLASS LEFT		
Title: FLUE EXIT CLEARANCES		
Drawn: SR	Date: 27/03/2018	
Chkd: JW	Date: 27/03/2018	
Appd: JW	Date: 27/03/2018	
Scale:		on A4



Drawing No.	<b>GD3-1400-908L</b>	Sheet 08 of 08	Revision <span style="border: 1px solid black; padding: 2px;">4</span>
-------------	----------------------	----------------	--