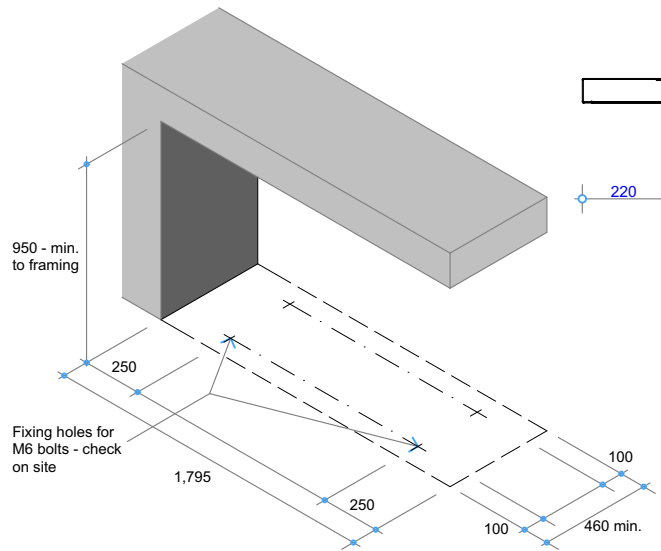
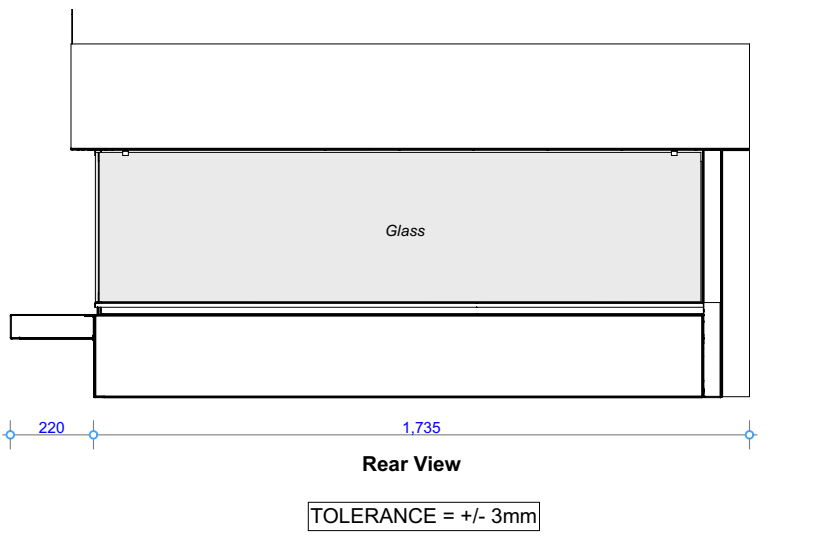
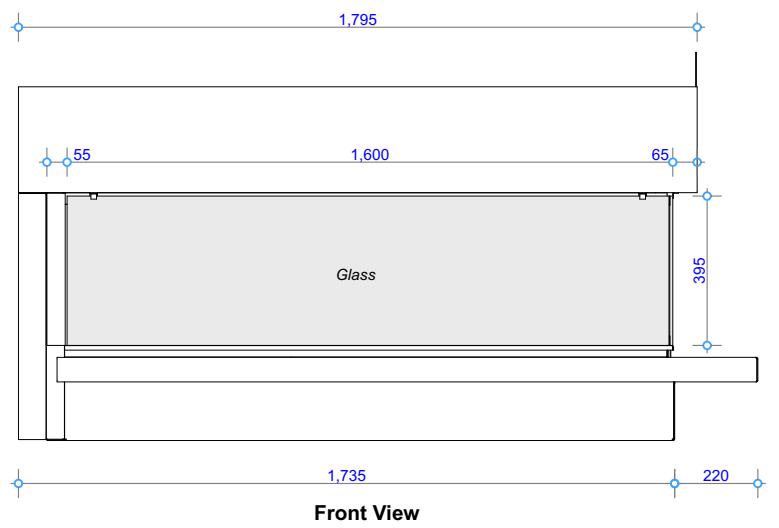
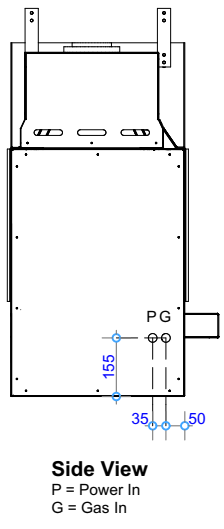
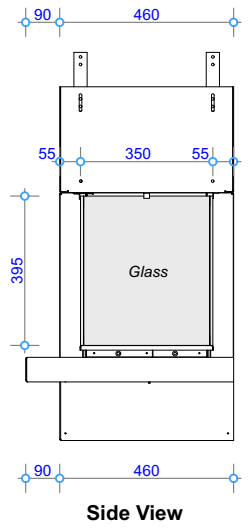
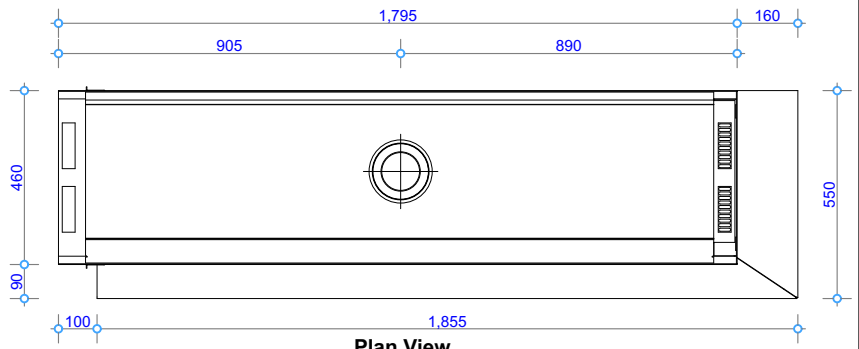




GD3 - 1600 Glass Right

Specifications

Information in this specification may be subject to change without notice. Please ensure you have the current version before beginning installation.



Fire Installation - Trim Sizes

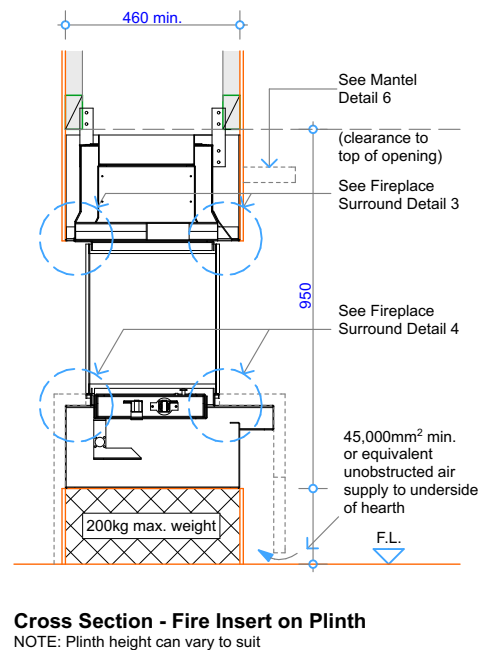
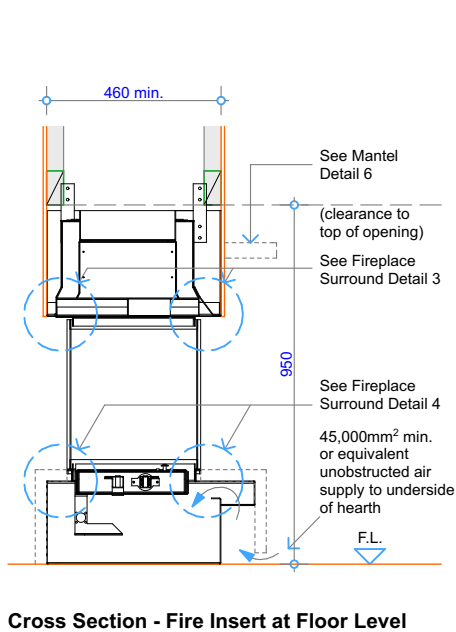
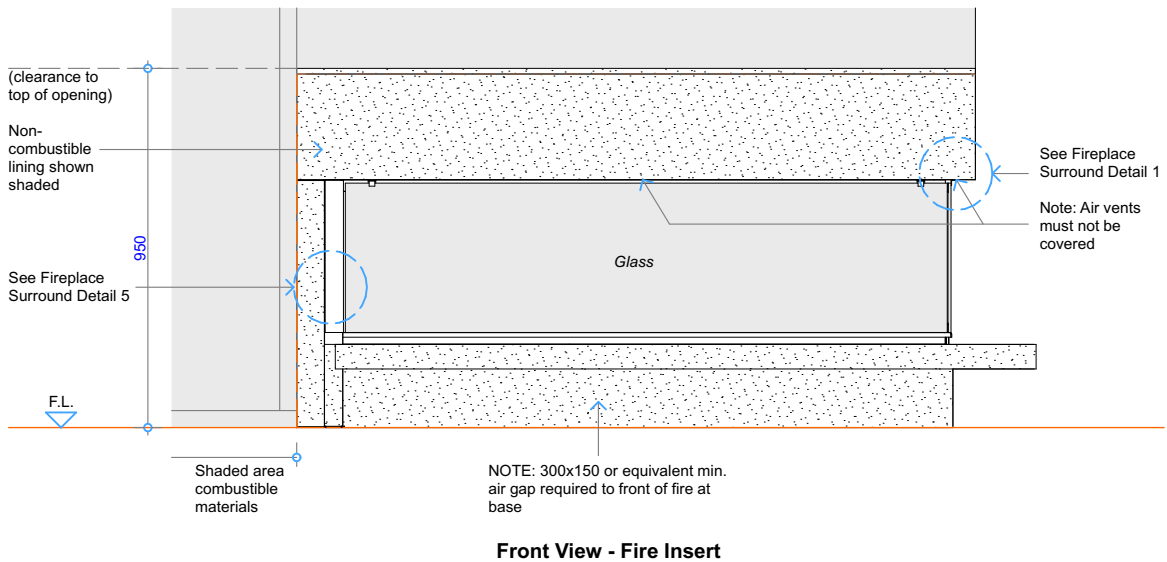
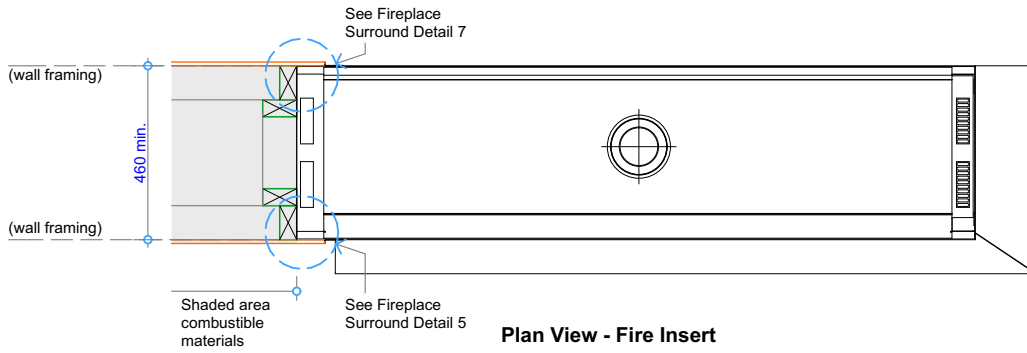
NOTE: Confirm fixing holes on site prior to drilling

COPYRIGHT ©
 THIS DRAWING IS THE PROPERTY
 OF The Fire Dept.

Client: THE FIRE DEPT.		
Product: GD3-1600-GLASS RIGHT		
Title: FIREBOX DIMENSIONS		
Drawn: SR	Date: 27/03/2018	
Chkd: JW	Date: 27/03/2018	
Appd: JW	Date: 27/03/2018	
Scale:		on A4



Drawing No.	GD3-1600-901R	Sheet 01 of 08	Revision 4
-------------	----------------------	----------------	--



COPYRIGHT©
THIS DRAWING IS THE PROPERTY
OF The Fire Dept.

Client: THE FIRE DEPT.

Product: GD3-1600-GLASS RIGHT

Title: CAVITY CLEARANCES

Drawn: SR

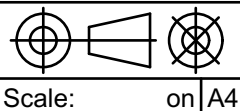
Date: 27/03/2018

Chkd: JW

Date: 27/03/2018

Appd: JW

Date: 27/03/2018

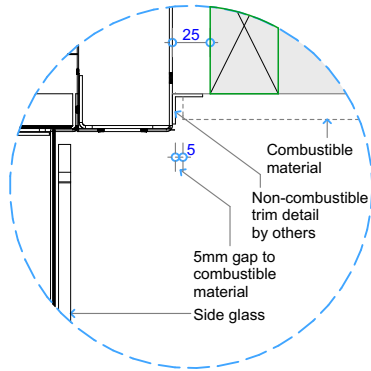


THE
**FIRE
DEPT.**

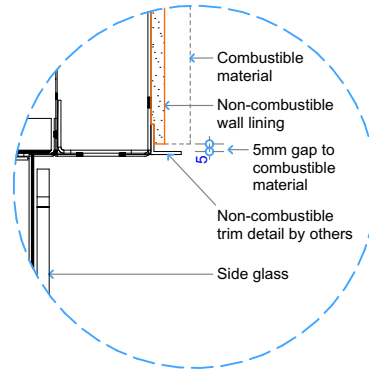
Drawing No. **GD3-1600-902R**

Sheet 02 of 08

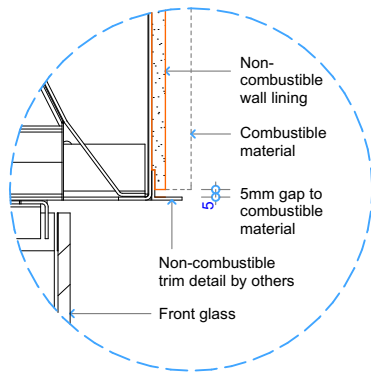
Revision **4**



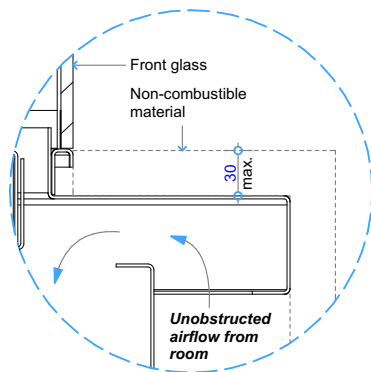
Detail 1 - Cross Section Fire Surround Opt. 1



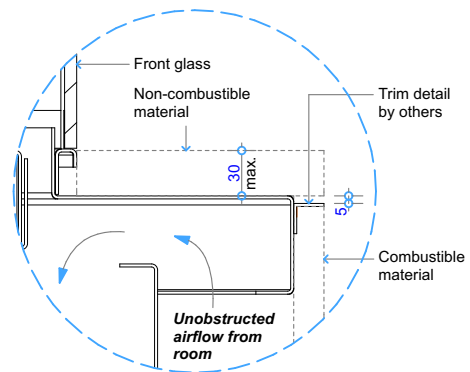
Detail 1 - Cross Section Fire Surround Opt. 2



Detail 3 - Top of Fire to Combustible Materials



Detail 4 - Bottom of Fire to Floor Opt. 5
NOTE: 45,000mm² min. or equivalent unobstructed air supply to underside of hearth



Detail 4 - Bottom of Fire to Floor Opt. 6
NOTE: 45,000mm² min. or equivalent unobstructed air supply to underside of hearth

COPYRIGHT©
 THIS DRAWING IS THE PROPERTY
 OF **The Fire Dept.**

Client: THE FIRE DEPT.		
Product: GD3-1600-GLASS RIGHT		
Title: SURROUND DETAILS		
Drawn: SR	Date: 27/03/2018	
Chkd: JW	Date: 27/03/2018	
Appd: JW	Date: 27/03/2018	
Scale:		on A4

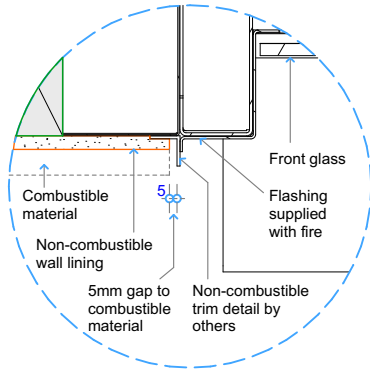


Drawing No. **GD3-1600-903R**

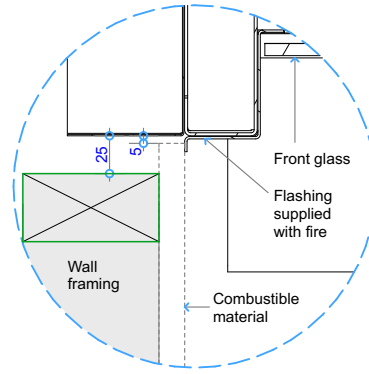
Sheet 03 of 08

Revision

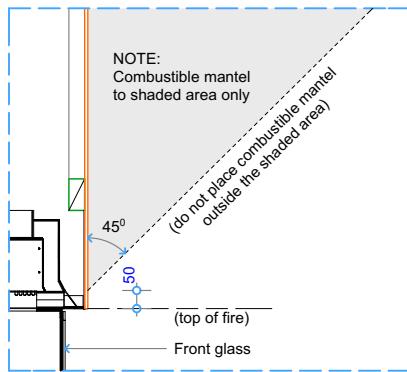
4



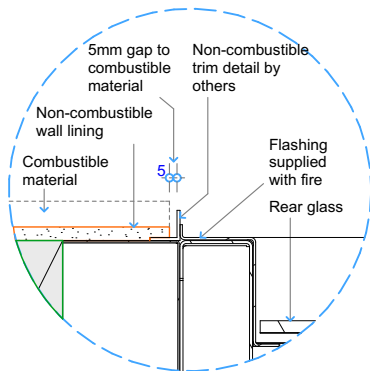
Detail 5 - Plan View Fire Surround Opt. 7



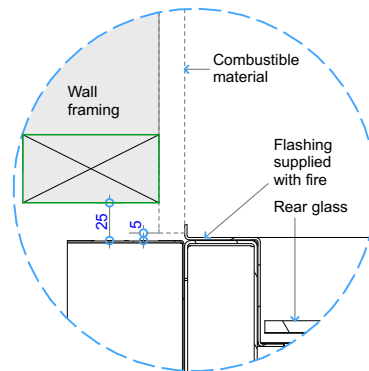
Detail 5 - Plan View Fire Surround Opt. 8



Detail 6 - Top of Fire to Combustible Mantel

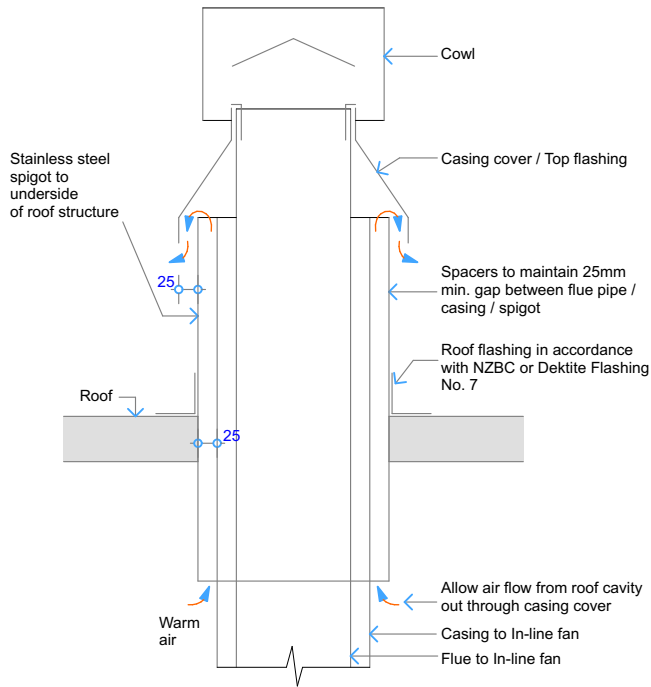


Detail 7 - Plan View Fire Surround Opt. 9



Detail 7 - Plan View Fire Surround Opt. 10

COPYRIGHT© THIS DRAWING IS THE PROPERTY OF The Fire Dept.	Client: THE FIRE DEPT.			THE FIRE DEPT.
	Product: GD3-1600-GLASS RIGHT			
	Title: SURROUND DETAILS			
	Drawn: SR	Date: 27/03/2018	Scale: on A4	
	Chkd: JW	Date: 27/03/2018		
Appd: JW	Date: 27/03/2018			
Drawing No.	GD3-1600-904R		Sheet 04 of 08	Revision 4

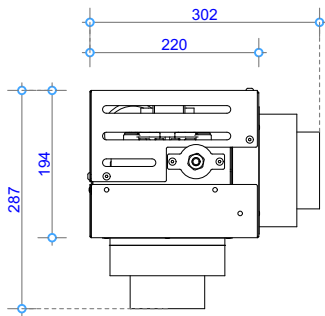


Detail - Air Ventilation through Casing cover/ Top flashing

Flue components:
 100mm dia. Flue
 150mm dia. Casing
 200mm dia. Spigot
 Deklite Flashing No. 7

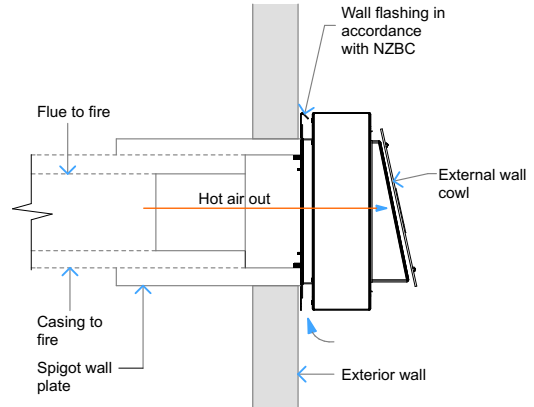
NOTE:

Flue components must be installed to AS/NZS5601 requirements.
 All external penetration flashings must be installed in accordance with NZBC.
 Fire supplied with 3m of 5 core wire from fire to fan.
 Cavity airflow must be unobstructed from fire to flue termination.
 25mm clearance between flue and combustible materials.
 75mm clearance between flue and wiring / plastic water pipes.
 Horizontal flue run must fall 20mm for every 1000mm towards the fire.
 Each flue joint must be sealed with a heat proof sealer.
 Each flue joint must have a minimum of 4 x riverts.
 Flue to be adequately supported at 2.4m crs.



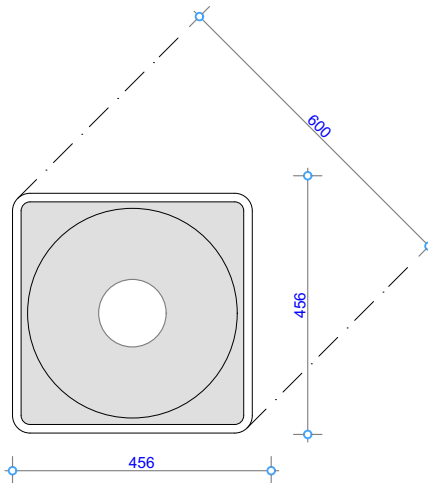
Detail - In-Line Fan

NOTE: Requires access hatch for maintenance



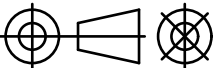
Detail - Air Ventilation through Wall

Flue components:
 100mm dia. Flue
 150mm dia. Casing
 200mm dia. Spigot



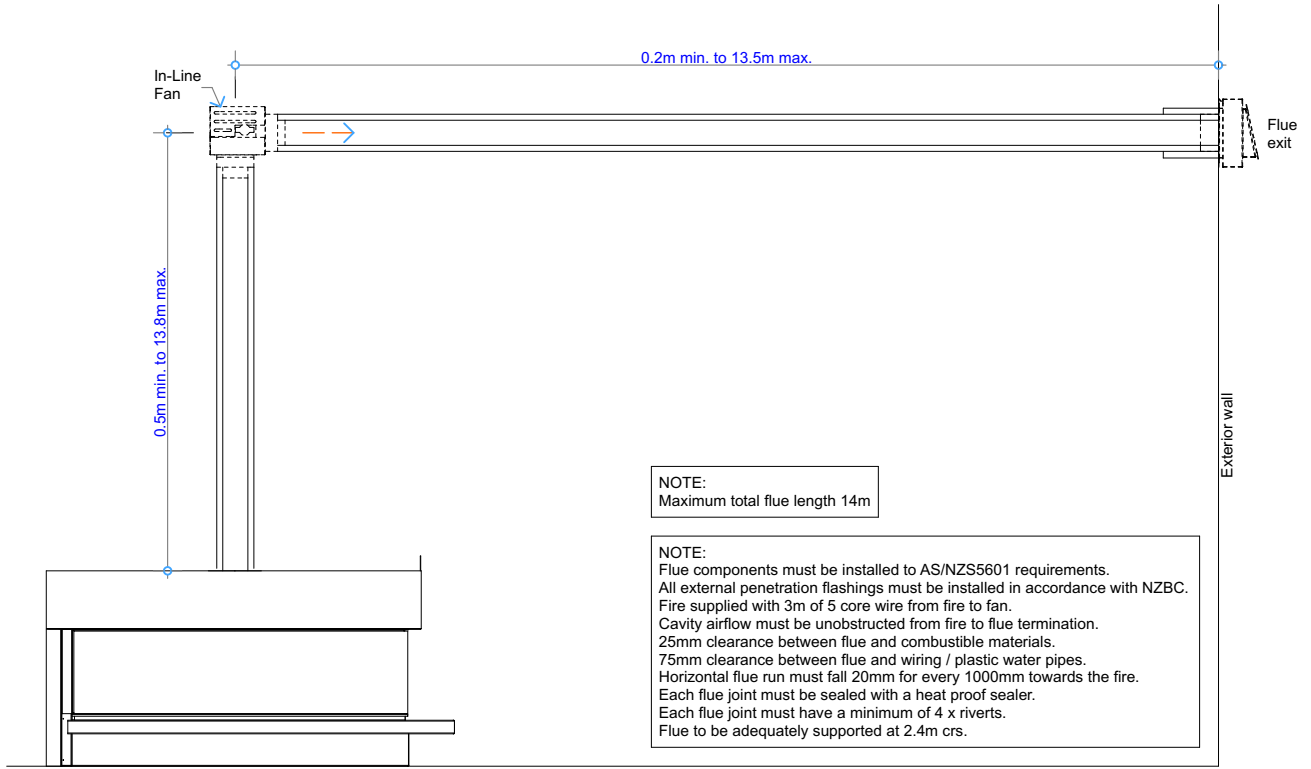
Deklite Flashing No. 7 - Plan View

COPYRIGHT ©
 THIS DRAWING IS THE PROPERTY
 OF The Fire Dept.

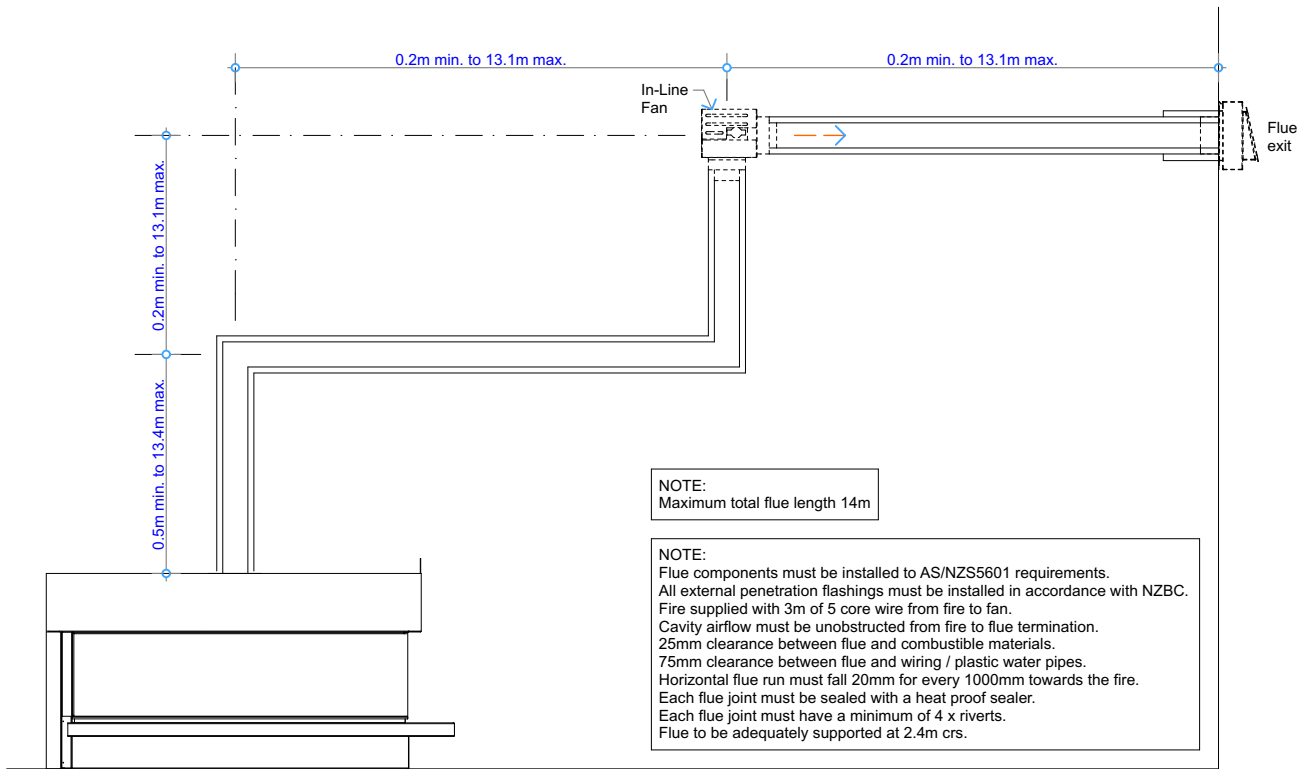
Client: THE FIRE DEPT.		
Product: GD3-1600-GLASS RIGHT		
Title: VERTICAL & HORIZONTAL FLUE EXIT DETAILS		
Drawn: SR	Date: 27/03/2018	
Chkd: JW	Date: 27/03/2018	
Appd: JW	Date: 27/03/2018	
Scale:		on A4



Drawing No.	GD3-1600-905R	Sheet 05 of 08	Revision 4
-------------	----------------------	----------------	--

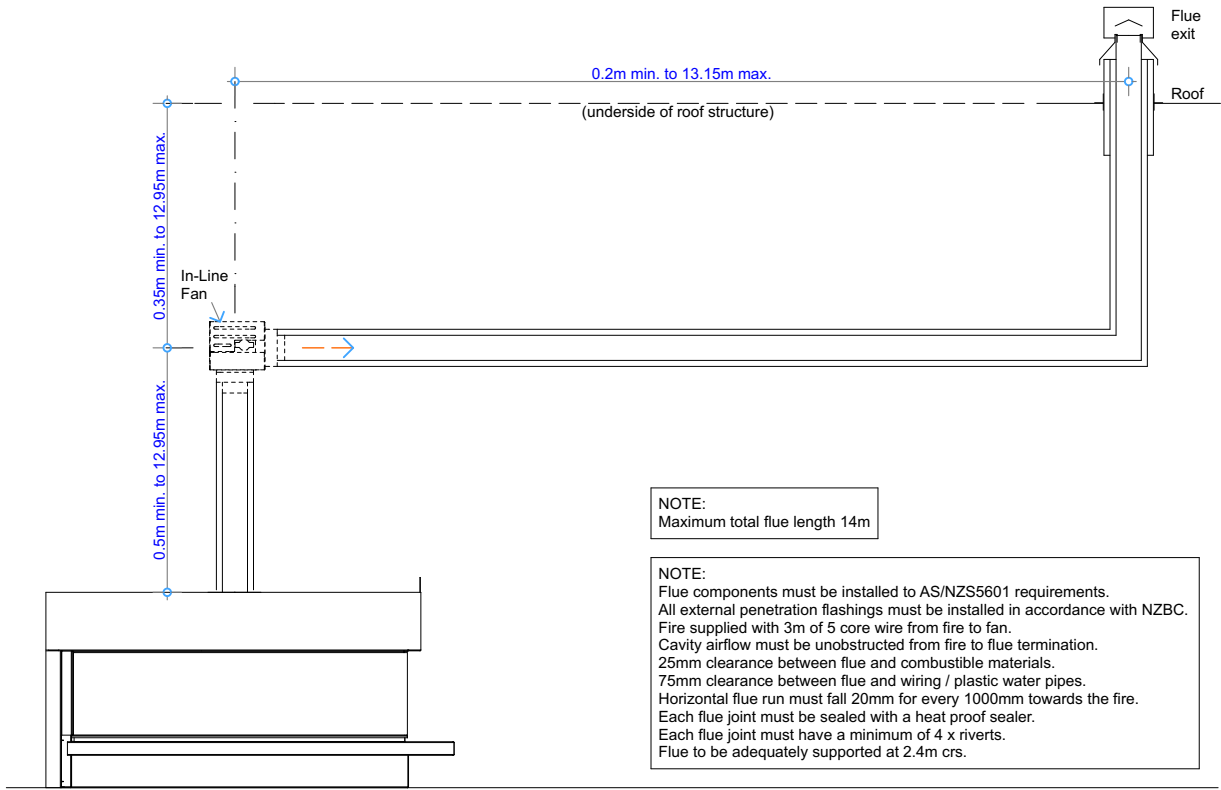


Horizontal Flue Combination GD3A

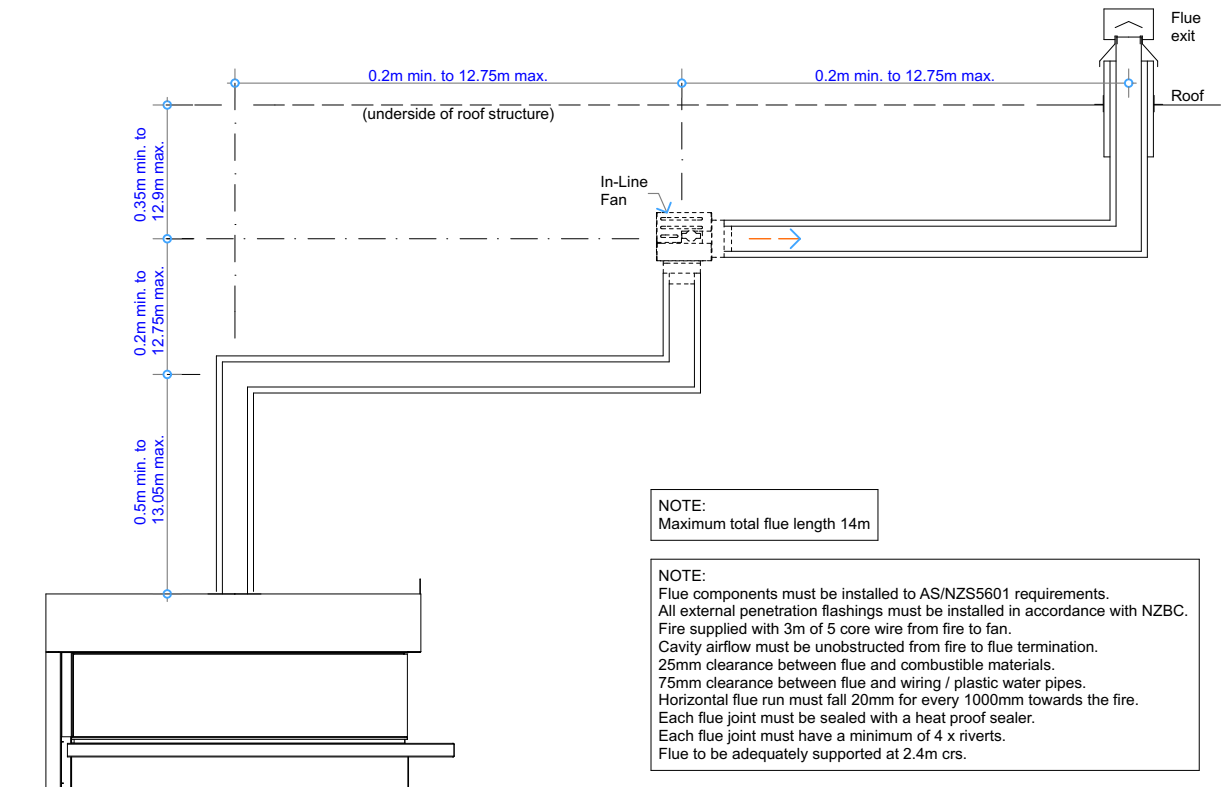


Horizontal Flue Combination GD3B

COPYRIGHT© THIS DRAWING IS THE PROPERTY OF The Fire Dept.	Client: THE FIRE DEPT.			
	Product: GD3-1600-GLASS RIGHT			
	Title: HORIZONTAL FLUE COMBINATION OPTIONS			
	Drawn: SR	Date: 27/03/2018		
	Chkd: JW	Date: 27/03/2018		
Appd: JW	Date: 27/03/2018	Scale: on A4		
Drawing No.	GD3-1600-906R		Sheet 06 of 08	
			Revision 4	

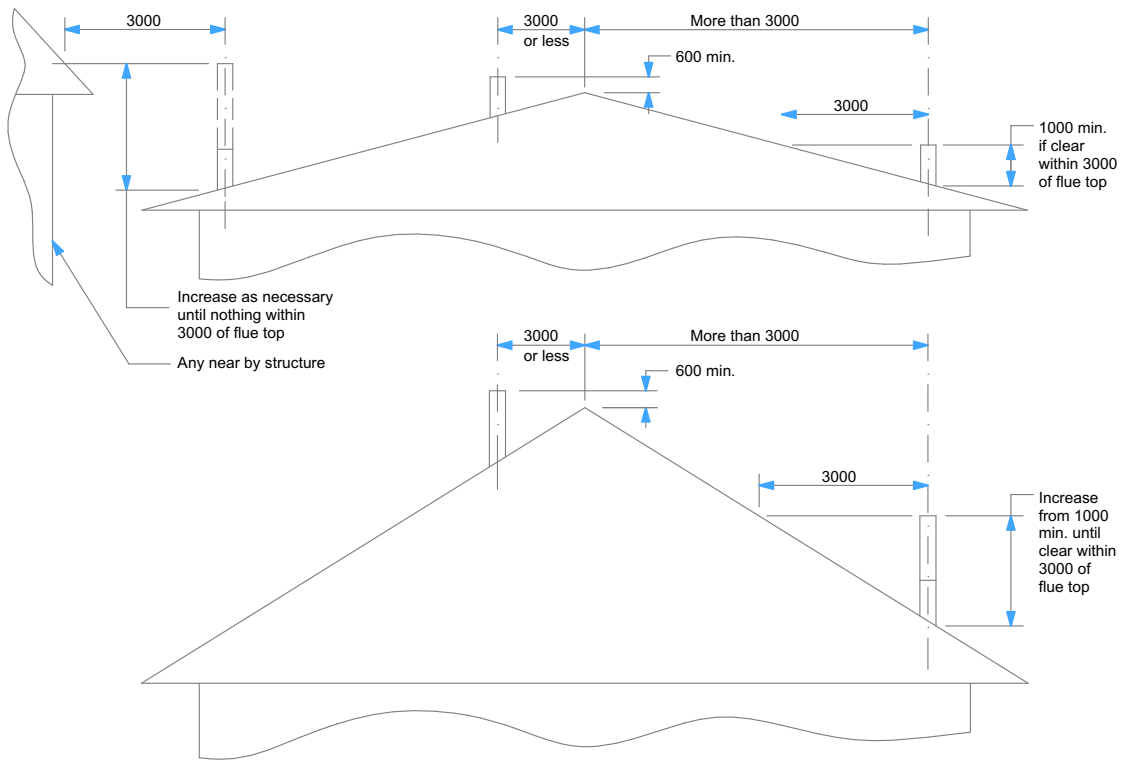


Vertical Flue Combination GD3C

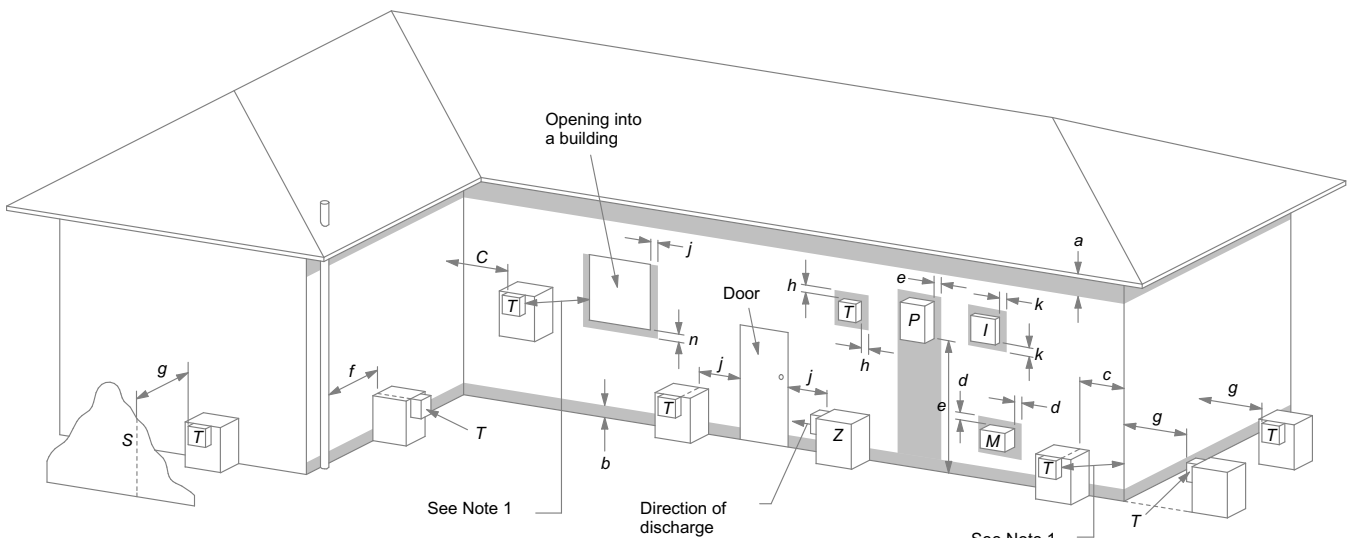


Vertical Flue Combination GD3D

COPYRIGHT© THIS DRAWING IS THE PROPERTY OF The Fire Dept.	Client: THE FIRE DEPT.			
	Product: GD3-1600-GLASS RIGHT			
	Title: VERTICAL FLUE COMBINATION OPTIONS			
	Drawn: SR	Date: 27/03/2018		
	Chkd: JW	Date: 27/03/2018		
Appd: JW	Date: 27/03/2018	Scale: on A4		
Drawing No.	GD3-1600-907R		Sheet 07 of 08	Revision 4



Minimum Height of Flue System Exit
Or as per AS/NZS 5601



LEGEND:

- I = Mechanical air inlet
- M = Gas meter
- P = Electricity meter or fuse box
- S = Structure
- T = Flue terminal
- Z = Fan-assisted appliance only

- a = 200
- b = 300
- c = 300
- d = 1000
- e = 500
- f = 75
- g = 500
- h = 300
- j = 300 (at window) & 1500 (fan-assisted appliance by the door)
- k = 1000
- n = 500

NOTES:

- 1 Where dimensions c, j or k cannot be achieved an equivalent horizontal distance measured diagonally from the nearest discharge point of the terminal to the opening may be deemed by the Technical Regulator to comply.

Shading indicates prohibited area for flue terminals

Location of Flue Terminals of Balanced Flue, Room-Sealed, Fan-Assisted or Outdoor Appliances

NOTE: To be read in conjunction with AS/NZS 5601.1:2013

COPYRIGHT ©
 THIS DRAWING IS THE PROPERTY
 OF The Fire Dept.

Client: THE FIRE DEPT.		
Product: GD3-1600-GLASS RIGHT		
Title: FLUE EXIT CLEARANCES		
Drawn: SR	Date: 27/03/2018	
Chkd: JW	Date: 27/03/2018	
Appd: JW	Date: 27/03/2018	
Scale: on A4		



Drawing No.	GD3-1600-908R	Sheet 08 of 08	Revision 4
-------------	----------------------	----------------	--