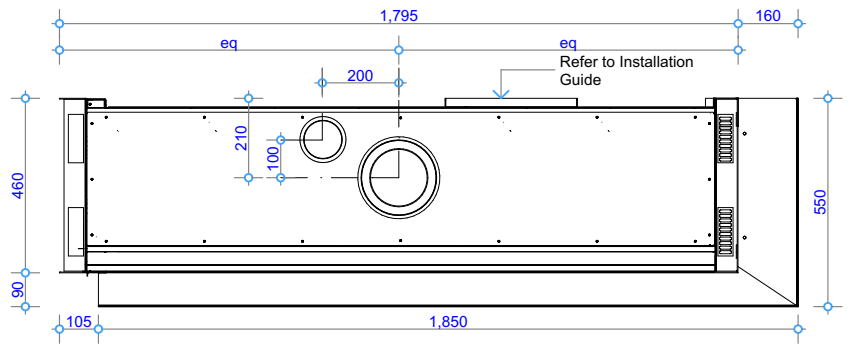




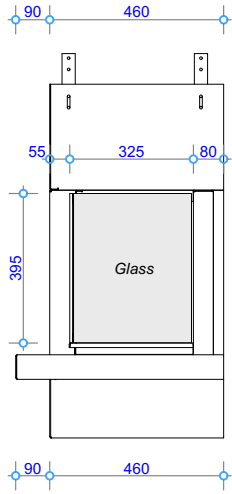
## **GD4 - 1600 Glass Right**

### **Specifications**

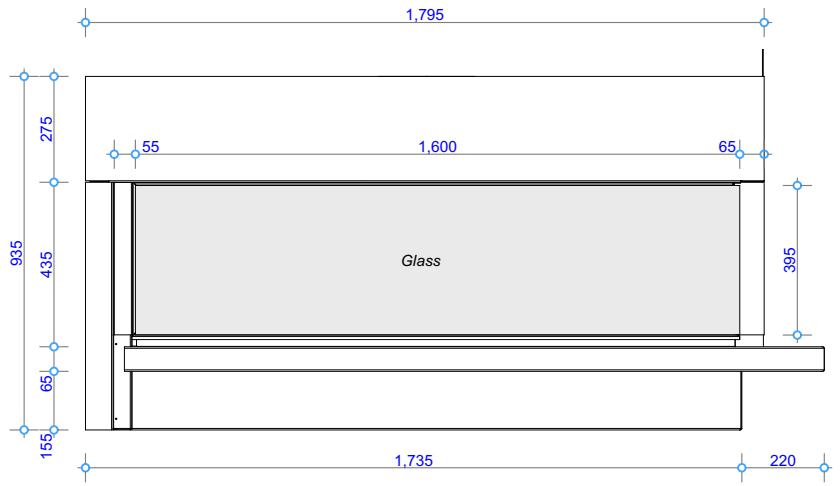
Information in this specification may be subject to change without notice. Please ensure you have the current version before beginning installation.



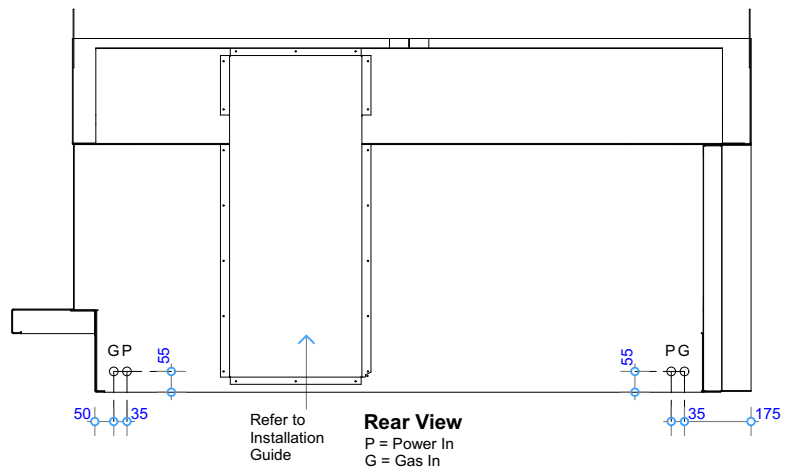
Plan View



Side View



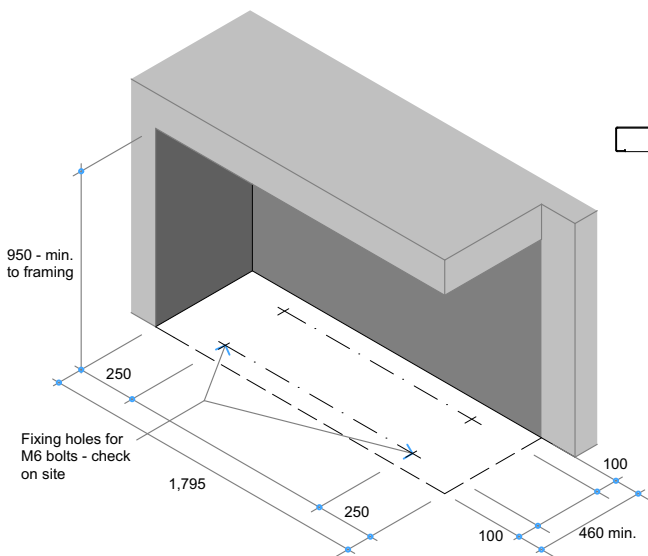
Front View



Rear View  
P = Power In  
G = Gas In

Refer to Installation Guide

TOLERANCE = +/- 3mm



Fixing holes for M6 bolts - check on site

**Fire Installation - Trim Sizes**

NOTE: Confirm fixing holes on site prior to drilling

COPYRIGHT ©  
THIS DRAWING IS THE PROPERTY  
OF The Fire Dept.

Client: THE FIRE DEPT.

Product: GD4-1600-GLASS RIGHT

Title: FIREBOX DIMENSIONS

Drawn: SR

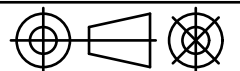
Date: 08/05/2018

Chkd: JW

Date: 08/05/2018

Appd: JW

Date: 08/05/2018



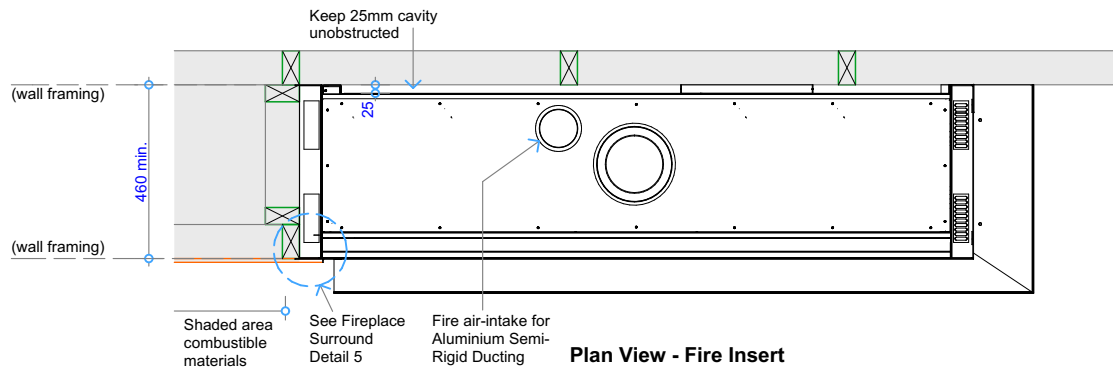
Scale: on A4



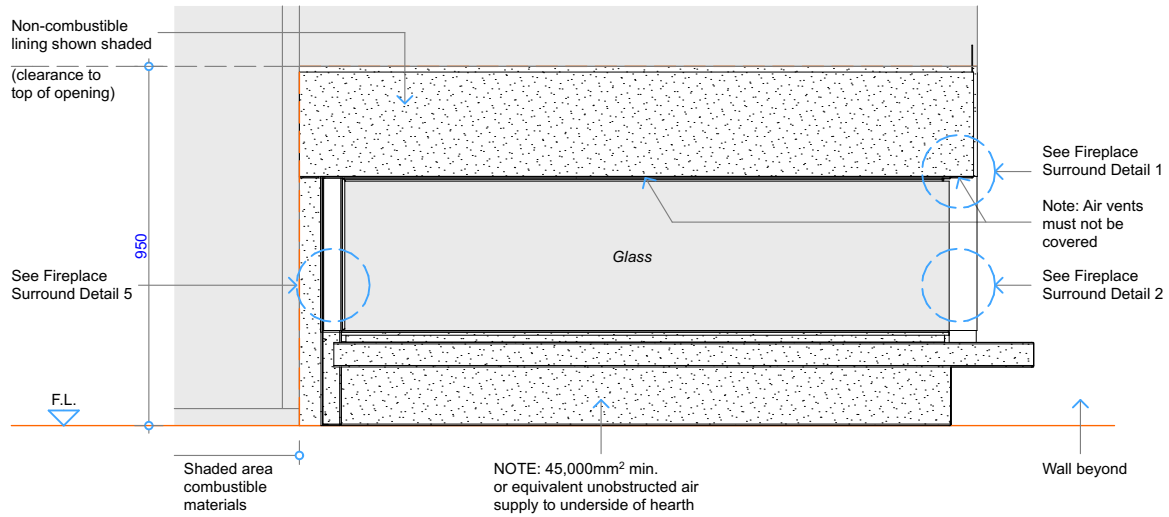
Drawing No. **GD4-1600-901R**

Sheet 01 of 08

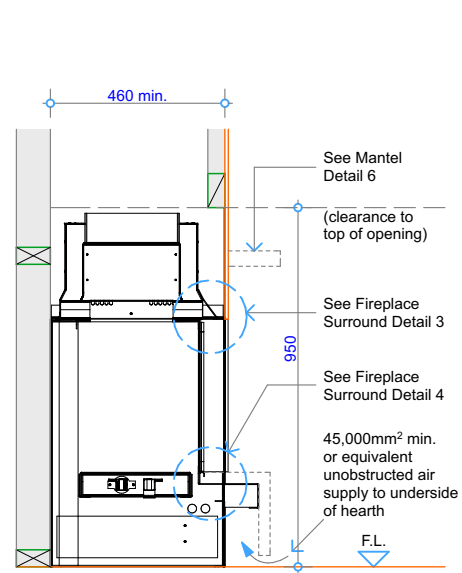
Revision **5**



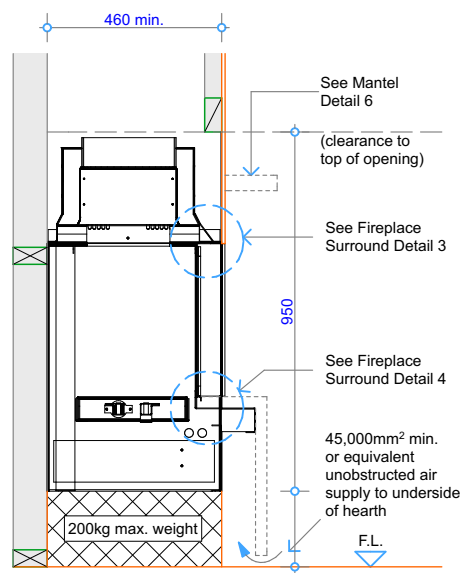
Plan View - Fire Insert



Front View - Fire Insert



Cross Section - Fire Insert at Floor Level



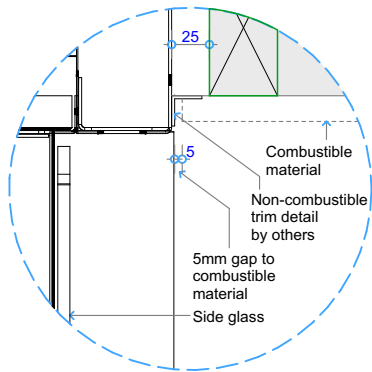
Cross Section - Fire Insert on Raised Plinth  
NOTE: Plinth height can vary to suit

COPYRIGHT ©  
 THIS DRAWING IS THE PROPERTY  
 OF The Fire Dept.

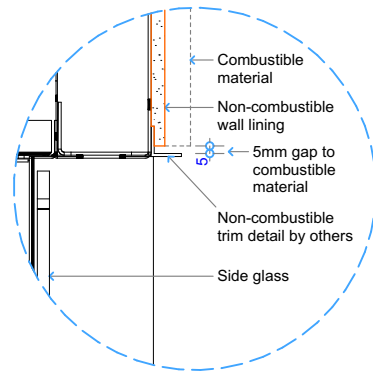
Client: THE FIRE DEPT.		
Product: GD4-1600-GLASS RIGHT		
Title: CAVITY CLEARANCES		
Drawn: SR	Date: 08/05/2018	
Chkd: JW	Date: 08/05/2018	
Appd: JW	Date: 08/05/2018	
Scale:		on A4



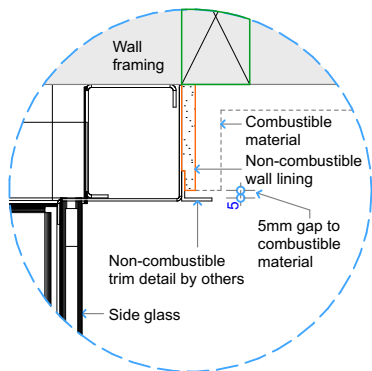
Drawing No.	GD4-1600-902R	Sheet 02 of 08	Revision 5
-------------	---------------	----------------	------------



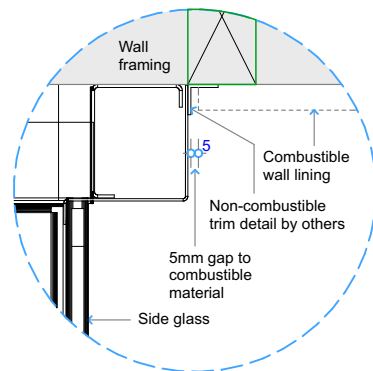
Detail 1 - Cross Section Fire Surround Opt. 1



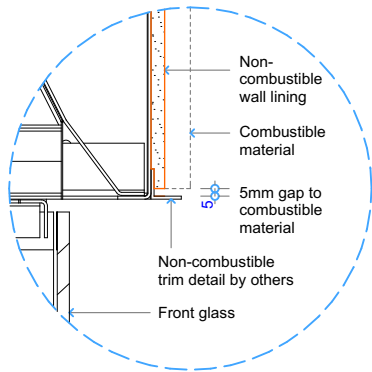
Detail 1 - Cross Section Fire Surround Opt. 2



Detail 2 - Plan View Fire Surround Opt. 3



Detail 2 - Plan View Fire Surround Opt. 4



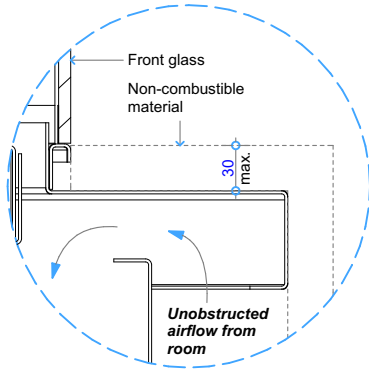
Detail 3 - Top of Fire to Combustible Materials

COPYRIGHT ©  
 THIS DRAWING IS THE PROPERTY  
 OF **The Fire Dept.**

Client: THE FIRE DEPT.		
Product: GD4-1600-GLASS RIGHT		
Title: SURROUND DETAILS		
Drawn: SR	Date: 08/05/2018	
Chkd: JW	Date: 08/05/2018	
Appd: JW	Date: 08/05/2018	
Scale:		on A4

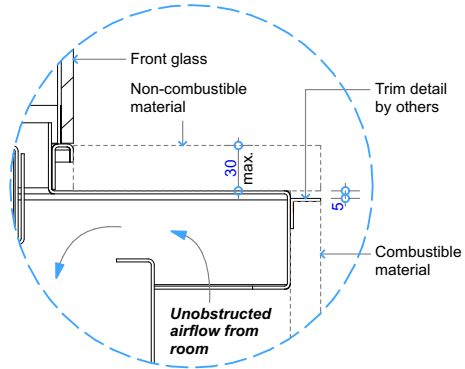


Drawing No.	<b>GD4-1600-903R</b>	Sheet 03 of 08	Revision <span style="border: 1px solid black; padding: 2px;">5</span>
-------------	----------------------	----------------	--



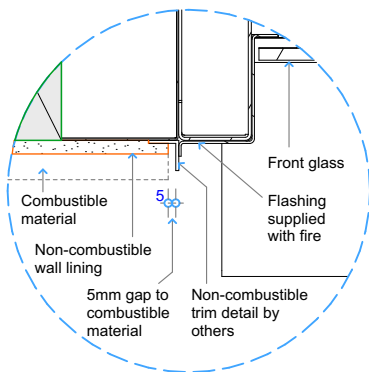
**Detail 4 - Bottom of Fire to Floor Opt. 5**

NOTE: 45,000mm<sup>2</sup> min. or equivalent unobstructed air supply to underside of hearth

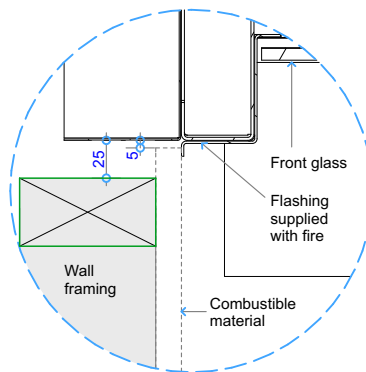


**Detail 4 - Bottom of Fire to Floor Opt. 6**

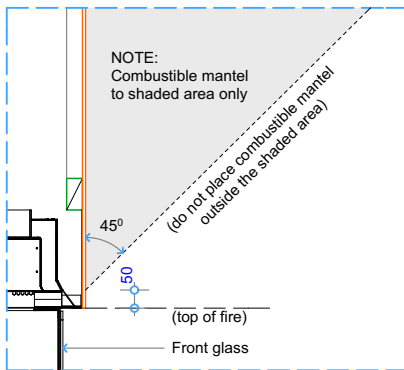
NOTE: 45,000mm<sup>2</sup> min. or equivalent unobstructed air supply to underside of hearth



**Detail 5 - Plan View Fire Surround Opt. 7**



**Detail 5 - Plan View Fire Surround Opt. 8**



**Detail 6 - Top of Fire to Combustible Mantel**

COPYRIGHT©  
 THIS DRAWING IS THE PROPERTY  
 OF **The Fire Dept.**

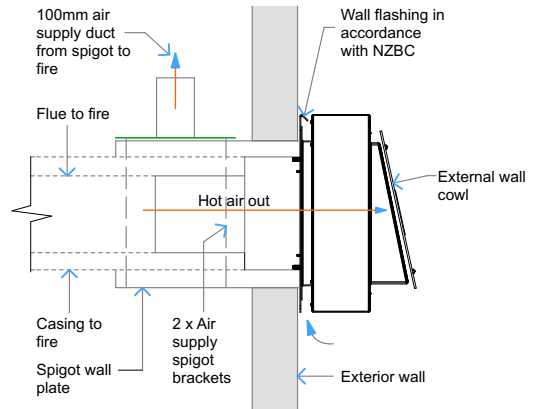
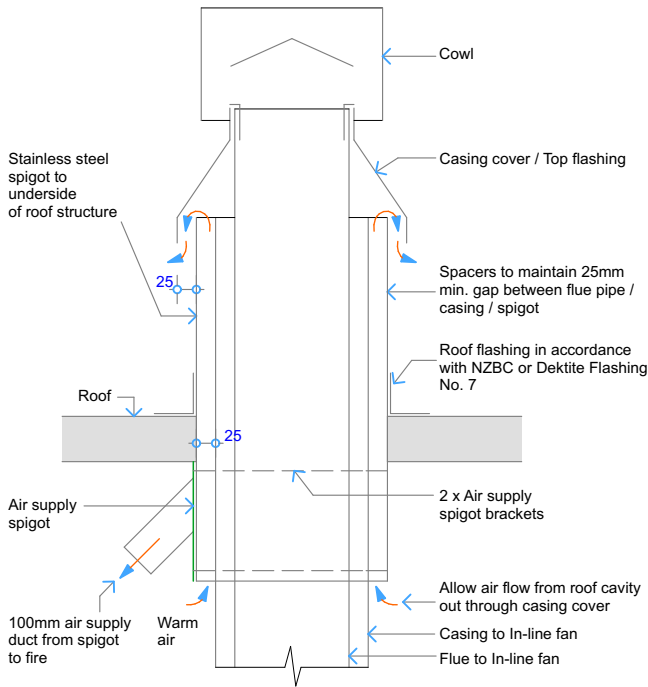
Client: THE FIRE DEPT.		
Product: GD4-1600-GLASS RIGHT		
Title: SURROUND DETAILS		
Drawn: SR	Date: 08/05/2018	
Chkd: JW	Date: 08/05/2018	
Appd: JW	Date: 08/05/2018	
Scale:		on A4



Drawing No. **GD4-1600-904R**

Sheet 04 of 08

Revision 5



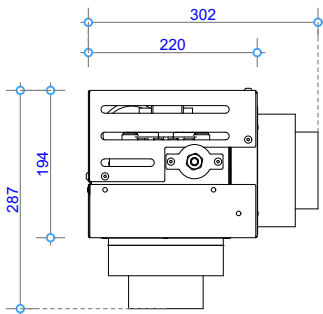
**Detail - Air Ventilation through Casing cover/ Top flashing**

Flue components:  
 100mm dia. Flue  
 150mm dia. Casing  
 200mm dia. Spigot  
 Deklite Flashing No. 7

**NOTE:**  
 Flue components must be installed to AS/NZS5601 requirements.  
 All external penetration flashings must be installed in accordance with NZBC.  
 Fire supplied with 3m of 5 core wire from fire to fan.  
 Cavity airflow must be unobstructed from fire to flue termination.  
 25mm clearance between flue and combustible materials.  
 75mm clearance between flue and wiring / plastic water pipes.  
 Horizontal flue run must fall 20mm for every 1000mm towards the fire.  
 Each flue joint must be sealed with a heat proof sealer.  
 Each flue joint must have a minimum of 4 x rivets.  
 Flue to be adequately supported at 2.4m crs.  
 Fix Aluminium Semi-Rigid Duct with 4 x rivets and sufficient duct tape to fire, spigot, and at each joint.

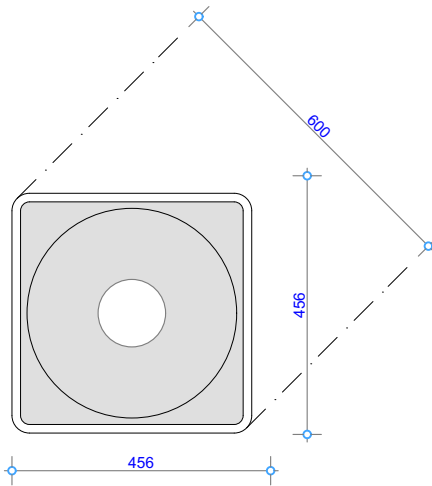
**Detail - Air Ventilation through Wall**

Flue components:  
 100mm dia. Flue  
 150mm dia. Casing  
 200mm dia. Spigot



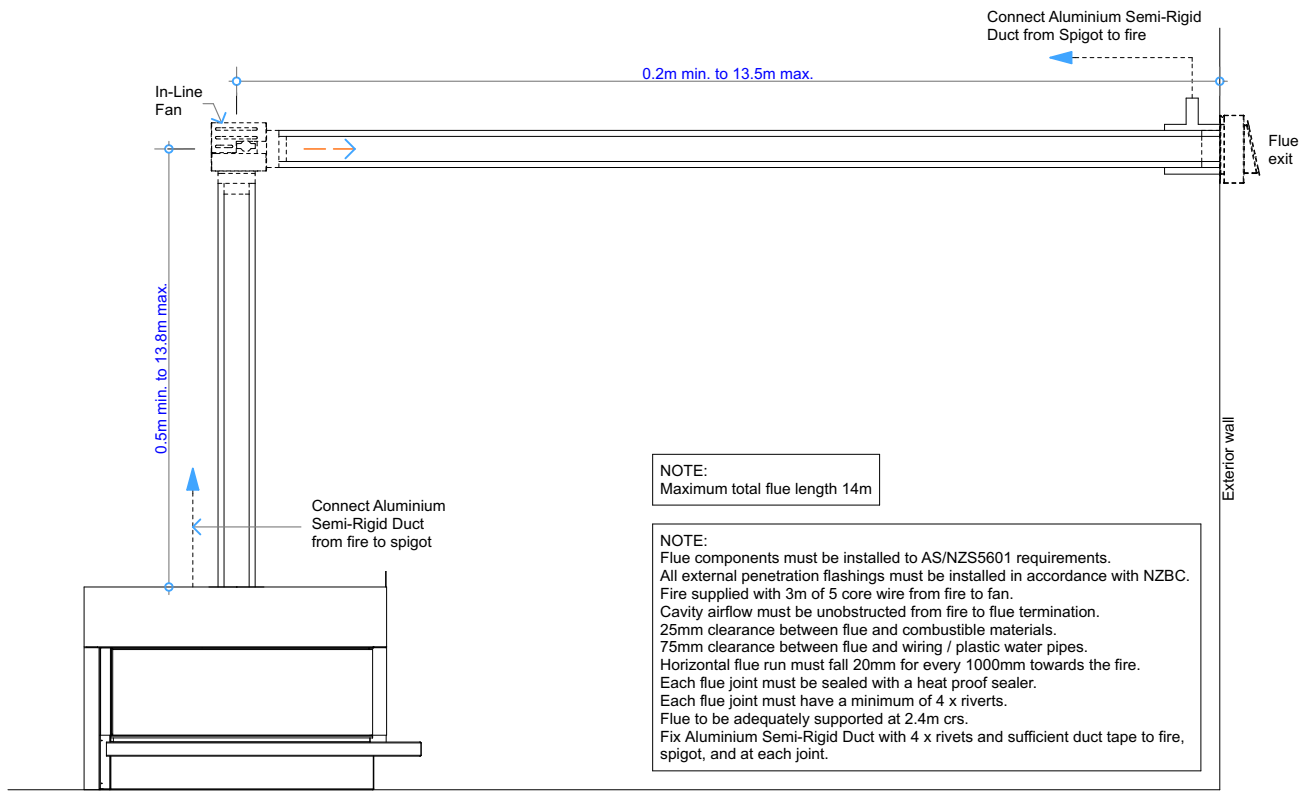
**Detail - In-Line Fan**

NOTE: Requires access hatch for maintenance

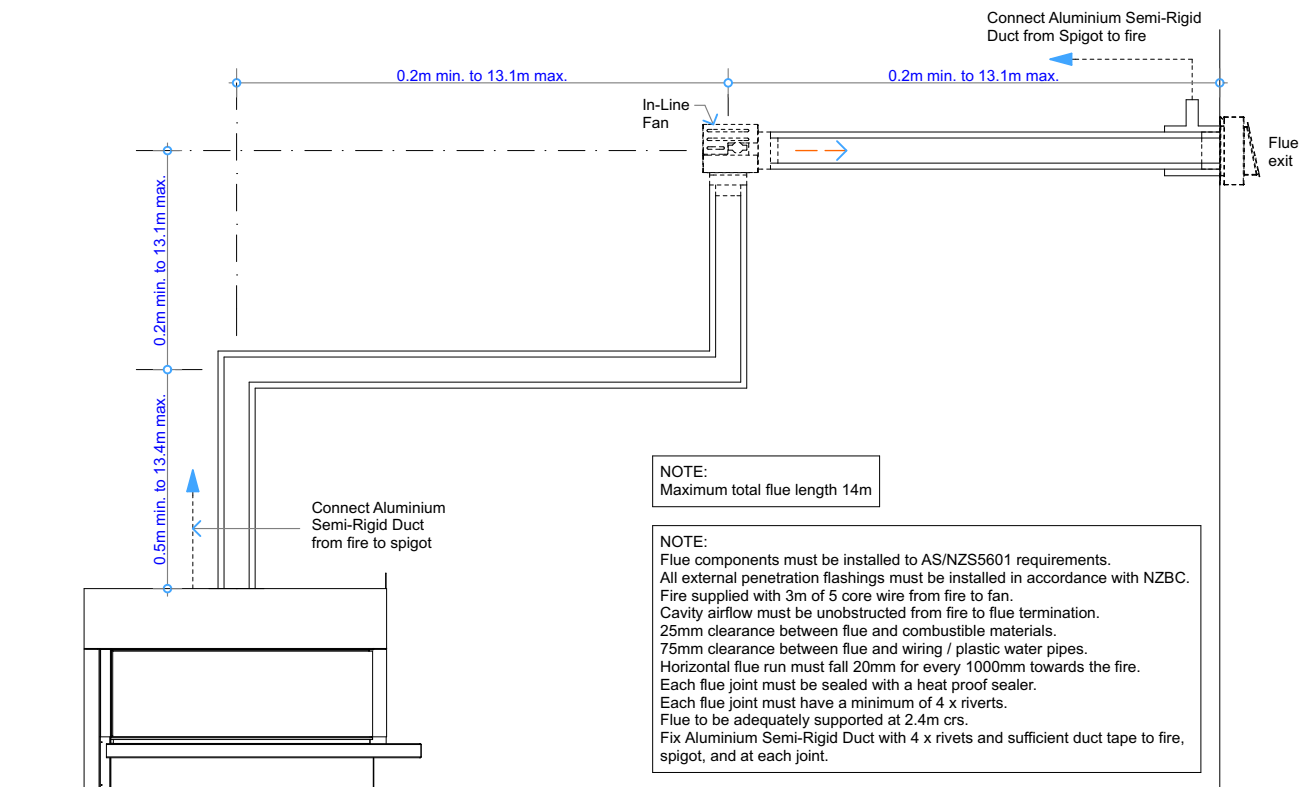


**Deklite Flashing No. 7 - Plan View**

COPYRIGHT © THIS DRAWING IS THE PROPERTY OF The Fire Dept.	Client: THE FIRE DEPT.			
	Product: GD4-1600-GLASS RIGHT			
	Title: VERTICAL & HORIZONTAL FLUE EXIT DETAILS			
	Drawn: SR	Date: 08/05/2018		
	Chkd: JW	Date: 08/05/2018		
Appd: JW	Date: 08/05/2018	Scale: on A4		
Drawing No.	GD4-1600-905R		Sheet 05 of 08	Revision 5

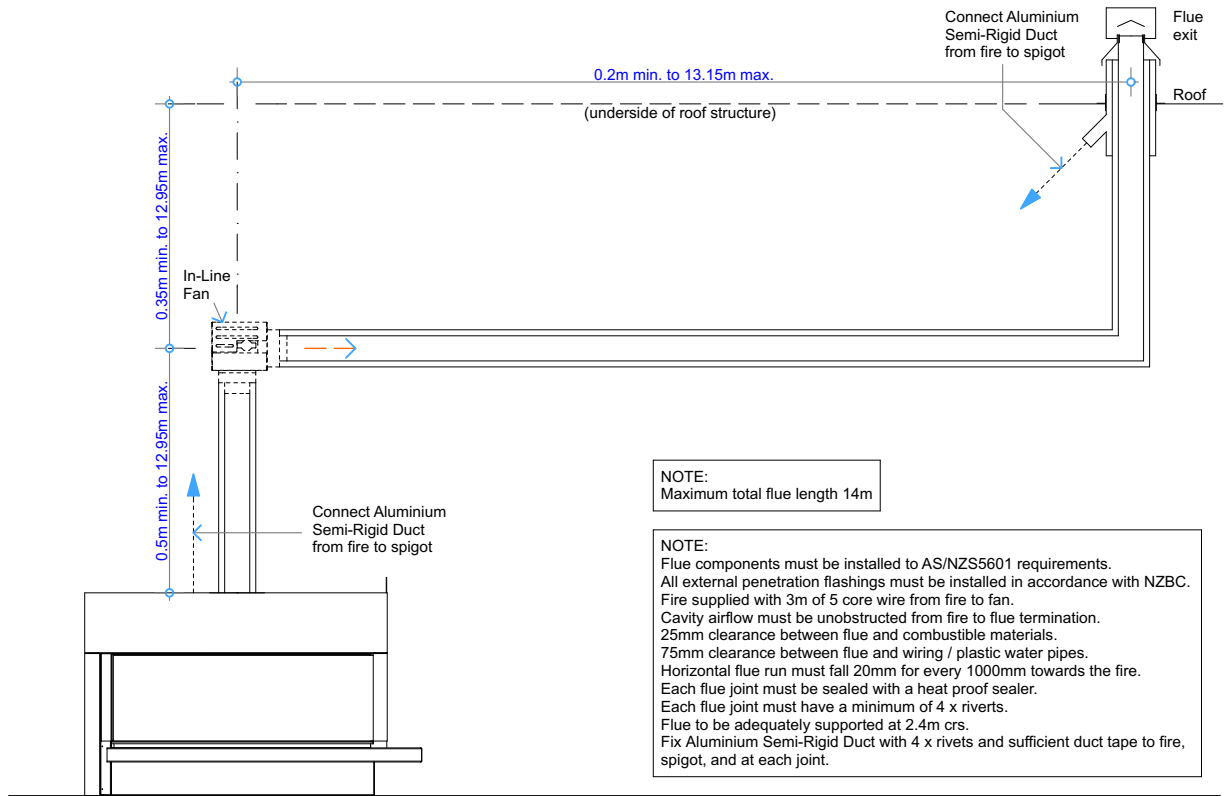


Horizontal Flue Combination GD4A

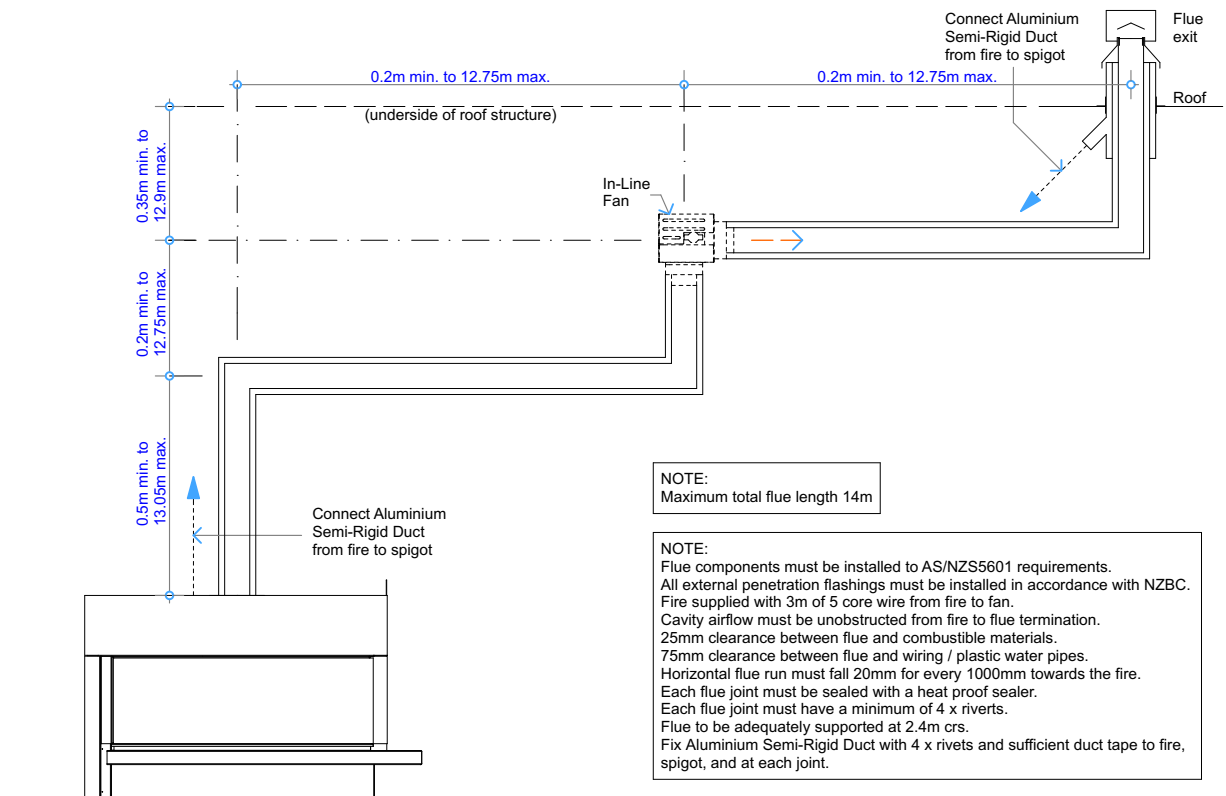


Horizontal Flue Combination GD4B

COPYRIGHT © THIS DRAWING IS THE PROPERTY OF The Fire Dept.	Client: THE FIRE DEPT.			
	Product: GD4-1600-GLASS RIGHT			
	Title: HORIZONTAL FLUE COMBINATION OPTIONS			
	Drawn: SR	Date: 08/05/2018		
	Chkd: JW	Date: 08/05/2018		
Appd: JW	Date: 08/05/2018	Scale: on A4		
Drawing No.	GD4-1600-906R		Sheet 06 of 08	Revision 5



Vertical Flue Combination GD4C



Vertical Flue Combination GD4D

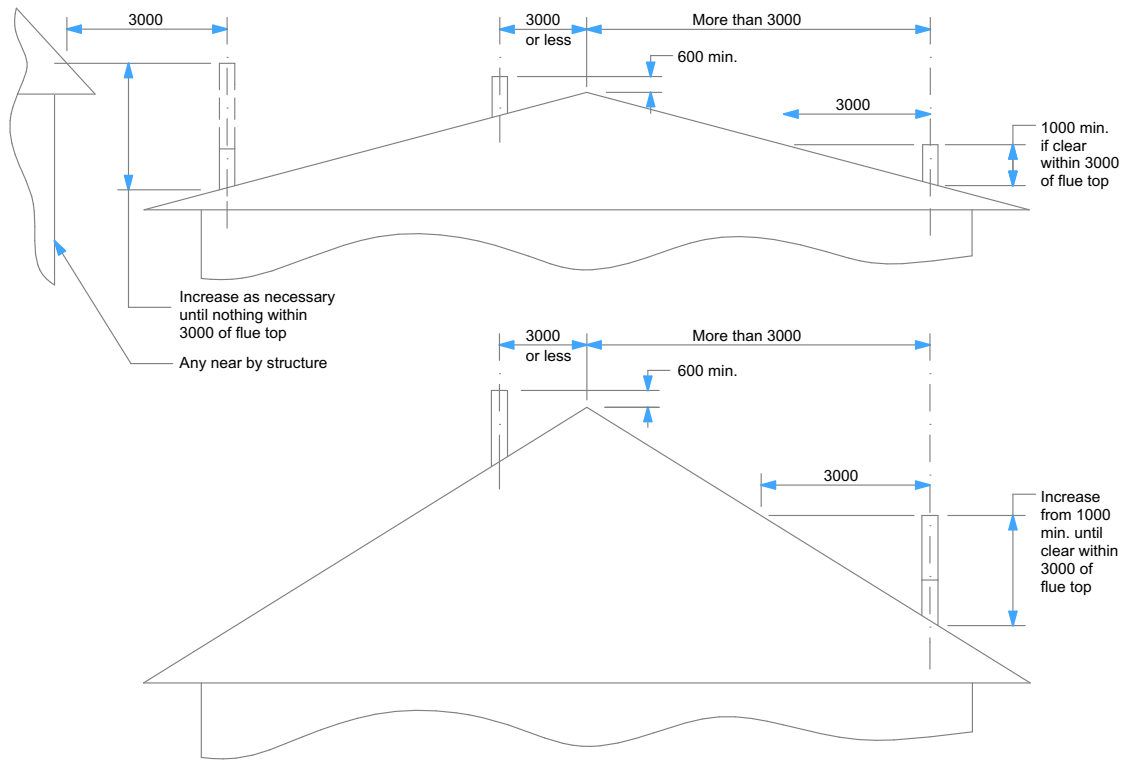
COPYRIGHT ©  
 THIS DRAWING IS THE PROPERTY  
 OF The Fire Dept.

Client: THE FIRE DEPT.		
Product: GD4-1600-GLASS RIGHT		
Title: VERTICAL FLUE COMBINATION OPTIONS		
Drawn: SR	Date: 08/05/2018	
Chkd: JW	Date: 08/05/2018	
Appd: JW	Date: 08/05/2018	
Scale: on A4		

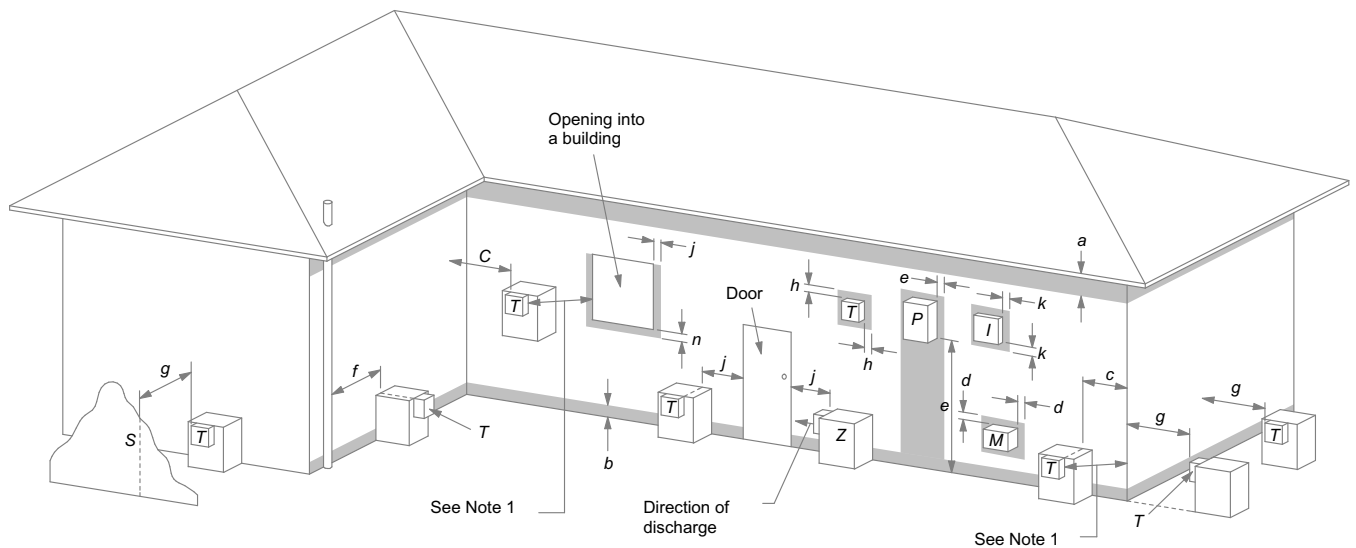


Drawing No. GD4-1600-907R	Sheet 07 of 08	Revision 5
---------------------------	----------------	------------





**Minimum Height of Flue System Exit**  
Or as per AS/NZS 5601



**LEGEND:**

- I = Mechanical air inlet
- M = Gas meter
- P = Electricity meter or fuse box
- S = Structure
- T = Flue terminal
- Z = Fan-assisted appliance only

- a = 200
- b = 300
- c = 300
- d = 1000
- e = 500
- f = 75
- g = 500
- h = 300
- j = 300 (at window) & 1500 (fan-assisted appliance by the door)
- k = 1000
- n = 500

**NOTES:**

- 1 Where dimensions c, j or k cannot be achieved an equivalent horizontal distance measured diagonally from the nearest discharge point of the terminal to the opening may be deemed by the Technical Regulator to comply.

Shading indicates prohibited area for flue terminals

**Location of Flue Terminals of Balanced Flue, Room-Sealed, Fan-Assisted or Outdoor Appliances**

**NOTE:** To be read in conjunction with AS/NZS 5601.1:2013

COPYRIGHT ©  
 THIS DRAWING IS THE PROPERTY  
 OF The Fire Dept.

Client: THE FIRE DEPT.		
Product: GD4-1600-GLASS RIGHT		
Title: FLUE EXIT CLEARANCES		
Drawn: SR	Date: 08/05/2018	
Chkd: JW	Date: 08/05/2018	
Appd: JW	Date: 08/05/2018	
Scale:		on A4



Drawing No.	<b>GD4-1600-908R</b>	Sheet 08 of 08	Revision <span style="border: 1px solid black; padding: 2px;">5</span>
-------------	----------------------	----------------	--