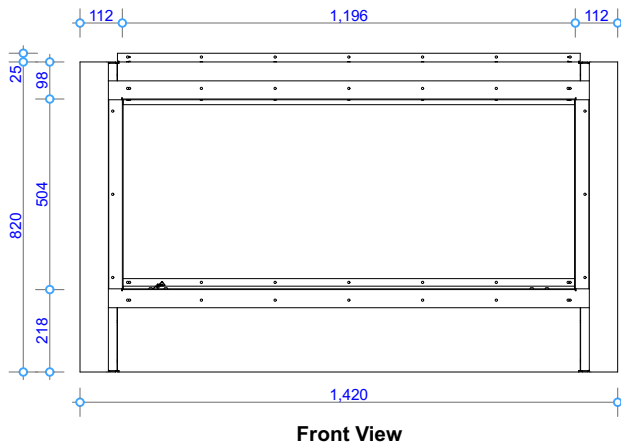
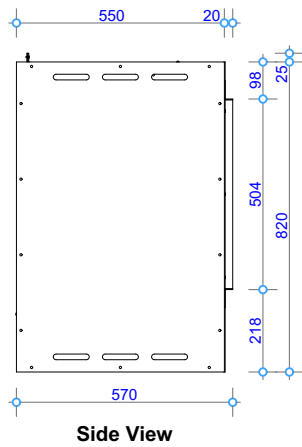
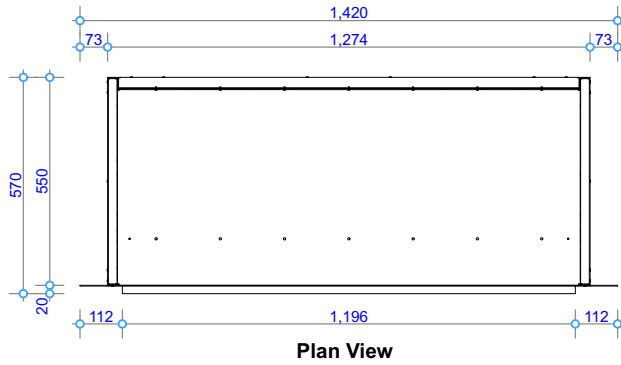




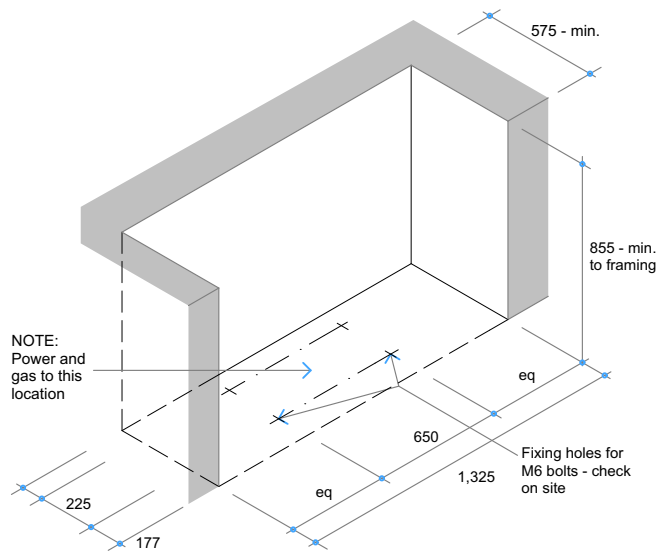
GD6 – 1200 Recessed Burner

Specifications

Information in this specification may be subject to change without notice. Please ensure you have the current version before beginning installation.



TOLERANCE = +/- 3mm



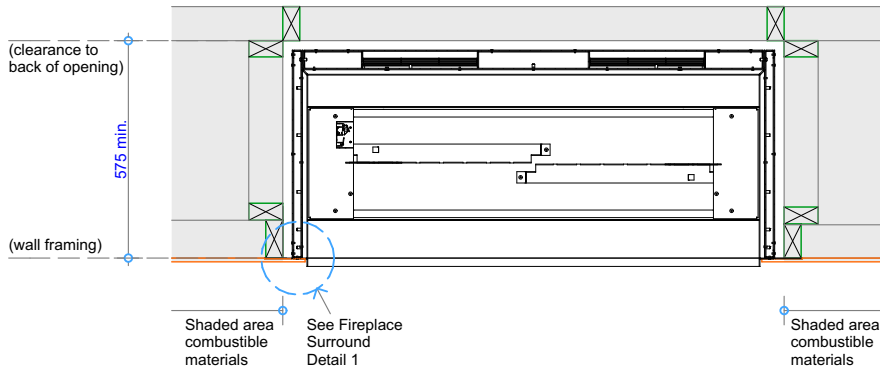
NOTE: Confirm fixing holes on site prior to drilling. The cavity (that the fire box is to be installed) must be weather tight and comply with the requirements of the New Zealand Building Codes Clause E2 (External Moisture).

COPYRIGHT ©
 THIS DRAWING IS THE PROPERTY
 OF **The Fire Dept.**

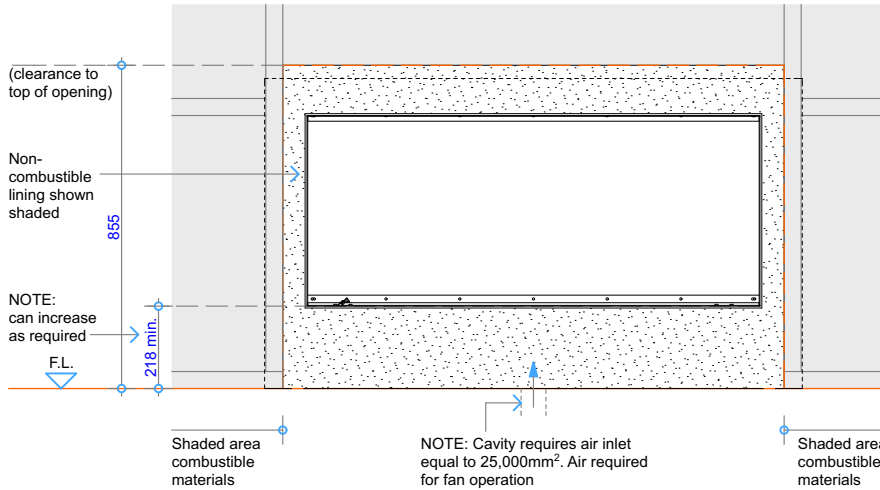
| | | |
|-----------------------------------|------------------|-------|
| Client: THE FIRE DEPT. | | |
| Product: GD6-1200-Recessed Burner | | |
| Title: FIREBOX DIMENSIONS | | |
| Drawn: SR | Date: 27/03/2018 | |
| Chkd: JW | Date: 27/03/2018 | |
| Appd: JW | Date: 27/03/2018 | |
| Scale: | | on A4 |



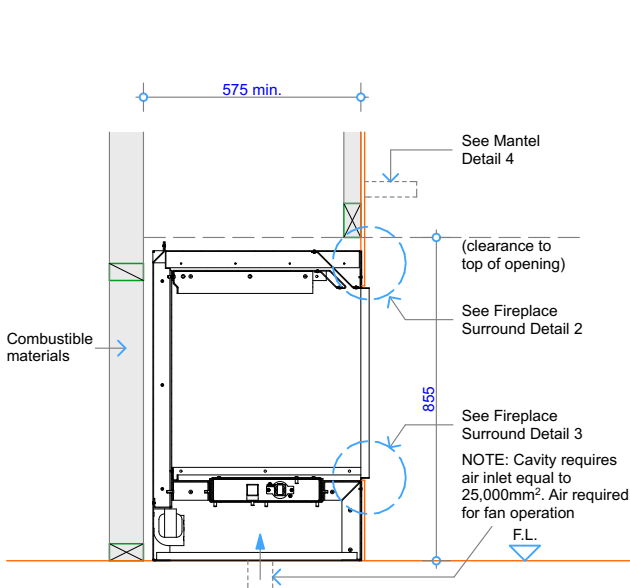
| | | | |
|-------------|-----------------------|----------------|--|
| Drawing No. | GD6-1200-901RB | Sheet 01 of 04 | Revision 1 |
|-------------|-----------------------|----------------|--|



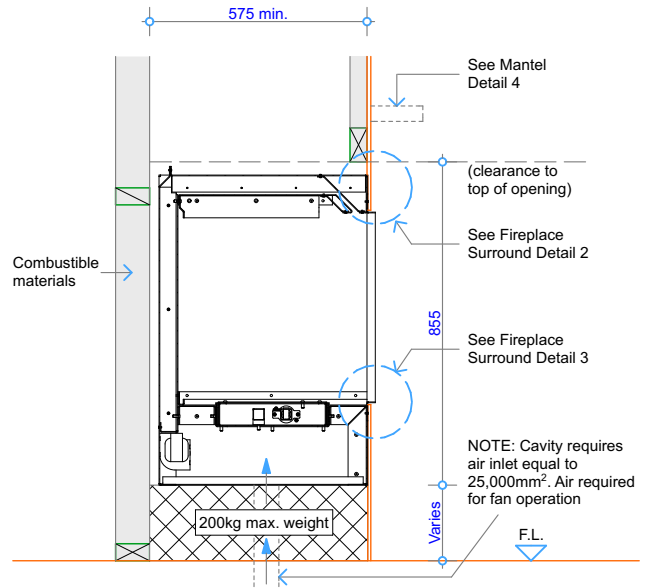
Plan View - Fire Insert



Front View - Fire Insert



Cross Section - Fire Insert at Floor Level



Cross Section - Fire Insert on Plinth

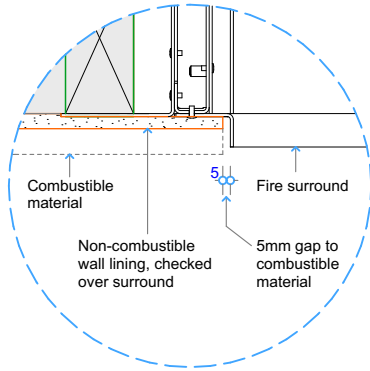
NOTE: Plinth height can vary to suit

COPYRIGHT ©
 THIS DRAWING IS THE PROPERTY
 OF The Fire Dept.

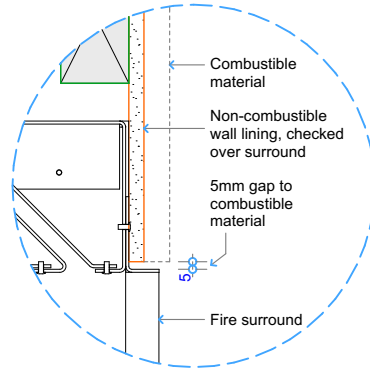
| | | |
|-----------------------------------|------------------|-------|
| Client: THE FIRE DEPT. | | |
| Product: GD6-1200-Recessed Burner | | |
| Title: CAVITY CLEARANCES | | |
| Drawn: SR | Date: 27/03/2018 | |
| Chkd: JW | Date: 27/03/2018 | |
| Appd: JW | Date: 27/03/2018 | |
| Scale: | | on A4 |



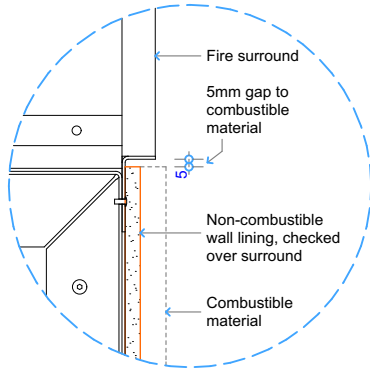
| | | | |
|-------------|-----------------------|----------------|------------|
| Drawing No. | GD6-1200-902RB | Sheet 02 of 04 | Revision 1 |
|-------------|-----------------------|----------------|------------|



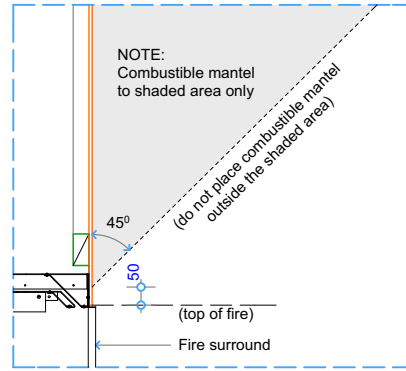
Detail 1 - Plan View Fire Surround



Detail 2 - Top of Fire to Combustible Materials



Detail 3 - Bottom of Fire to Floor



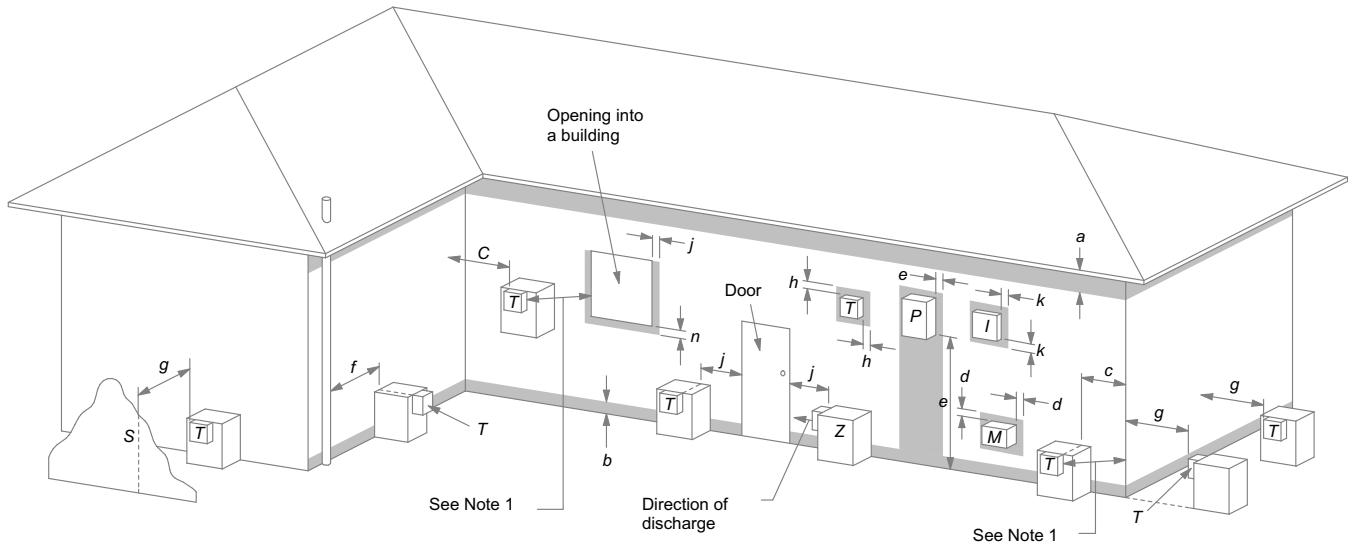
Detail 4 - Top of Fire to Combustible Mantel

COPYRIGHT ©
 THIS DRAWING IS THE PROPERTY
 OF **The Fire Dept.**

| | | |
|-----------------------------------|------------------|-------|
| Client: THE FIRE DEPT. | | |
| Product: GD6-1200-Recessed Burner | | |
| Title: SURROUND DETAILS | | |
| Drawn: SR | Date: 27/03/2018 | |
| Chkd: JW | Date: 27/03/2018 | |
| Appd: JW | Date: 27/03/2018 | |
| Scale: | | on A4 |



| | | | |
|-------------|-----------------------|----------------|--|
| Drawing No. | GD6-1200-903RB | Sheet 03 of 04 | Revision 1 |
|-------------|-----------------------|----------------|--|



LEGEND:

- I = Mechanical air inlet
- M = Gas meter
- P = Electricity meter or fuse box
- S = Structure
- T = Flue terminal
- Z = Fan-assisted appliance only

- a = 200
- b = 300
- c = 300
- d = 1000
- e = 500
- f = 75
- g = 500
- h = 300
- j = 300 (at window) & 1500 (fan-assisted appliance by the door)
- k = 1000
- n = 500

NOTES:

- 1 Where dimensions *c*, *j* or *k* cannot be achieved an equivalent horizontal distance measured diagonally from the nearest discharge point of the terminal to the opening may be deemed by the *Technical Regulator* to comply.

Shading indicates prohibited area for flue terminals

Location of Flue Terminals of Balanced Flue, Room-Sealed, Fan-Assisted or Outdoor Appliances

NOTE: To be read in conjunction with AS/NZS 5601.1:2013

COPYRIGHT ©
 THIS DRAWING IS THE PROPERTY
 OF The Fire Dept.

| | | |
|-----------------------------------|------------------|-------|
| Client: THE FIRE DEPT. | | |
| Product: GD6-1200-Recessed Burner | | |
| Title: FLUE EXIT CLEARANCES | | |
| Drawn: SR | Date: 27/03/2018 | |
| Chkd: JW | Date: 27/03/2018 | |
| Appd: JW | Date: 27/03/2018 | |
| Scale: | | on A4 |



| | | | |
|-------------|-----------------------|----------------|--|
| Drawing No. | GD6-1200-904RB | Sheet 04 of 04 | Revision 1 |
|-------------|-----------------------|----------------|--|