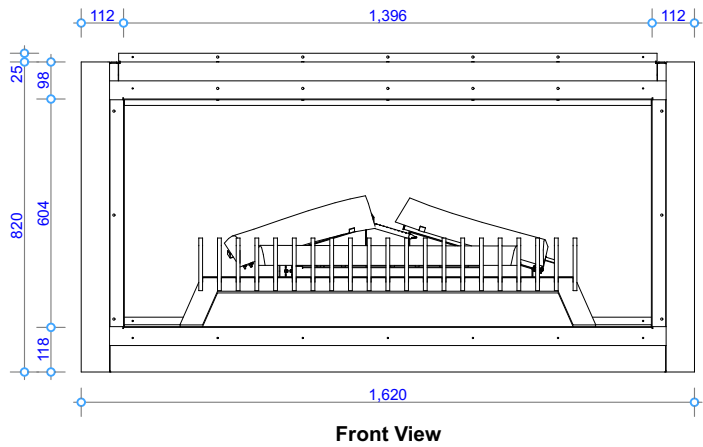
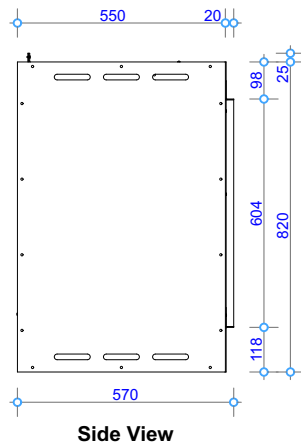
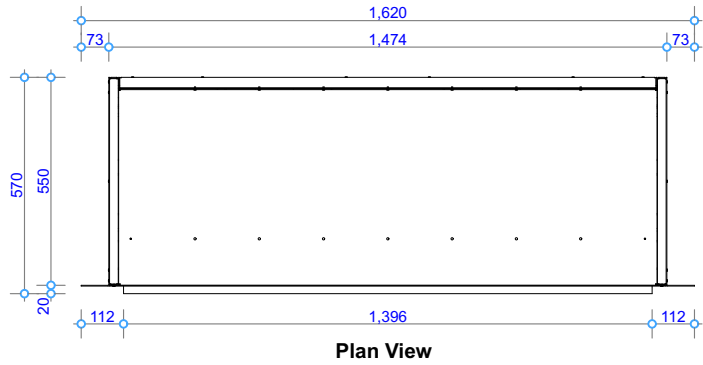




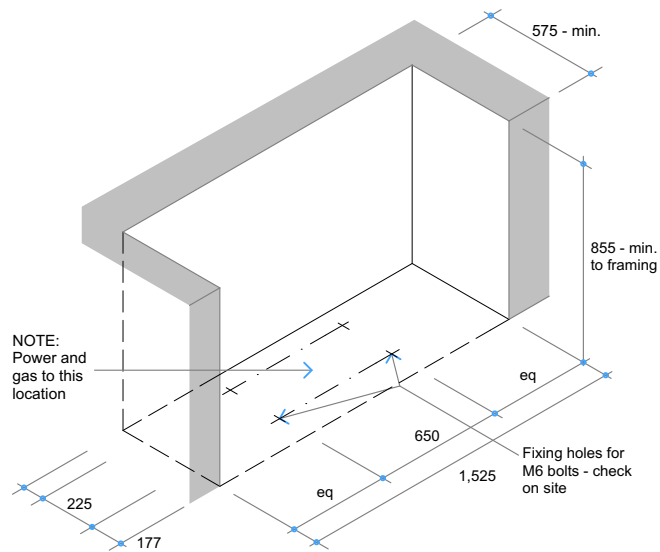
# **GD6 – 1400 Exposed Burner**

## **Specifications**

Information in this specification may be subject to change without notice. Please ensure you have the current version before beginning installation.



TOLERANCE = +/- 3mm



**Fire Installation - Trim Sizes**

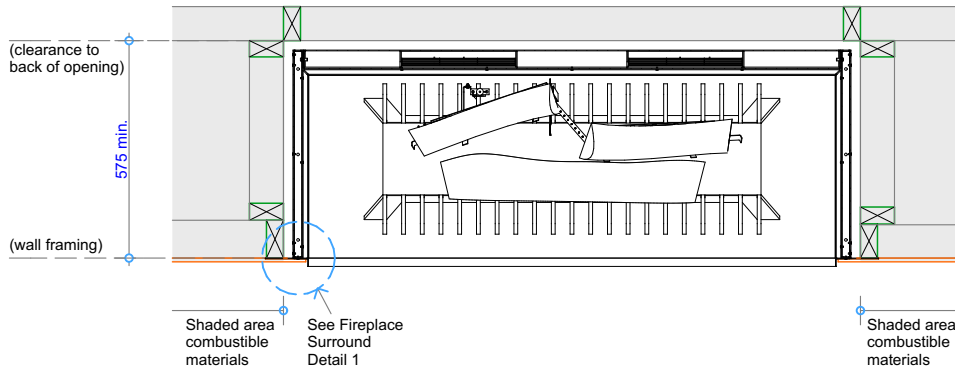
NOTE: Confirm fixing holes on site prior to drilling. The cavity (that the fire box is to be installed) must be weather tight and comply with the requirements of the New Zealand Building Codes Clause E2 (External Moisture).

COPYRIGHT©  
THIS DRAWING IS THE PROPERTY  
OF The Fire Dept.

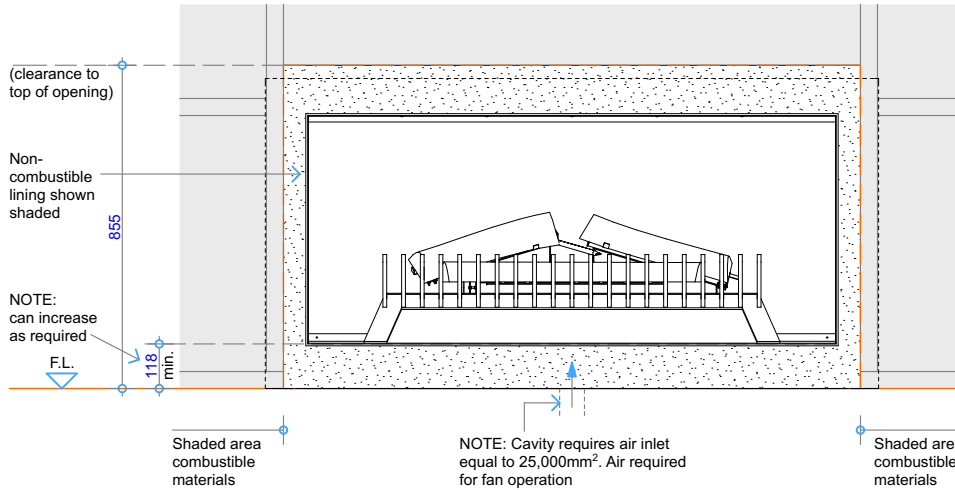
Client: THE FIRE DEPT.		
Product: GD6-1400-Exposed Burner		
Title: FIREBOX DIMENSIONS		
Drawn: SR	Date: 27/03/2018	
Chkd: JW	Date: 27/03/2018	
Appd: JW	Date: 27/03/2018	
Scale:		on A4



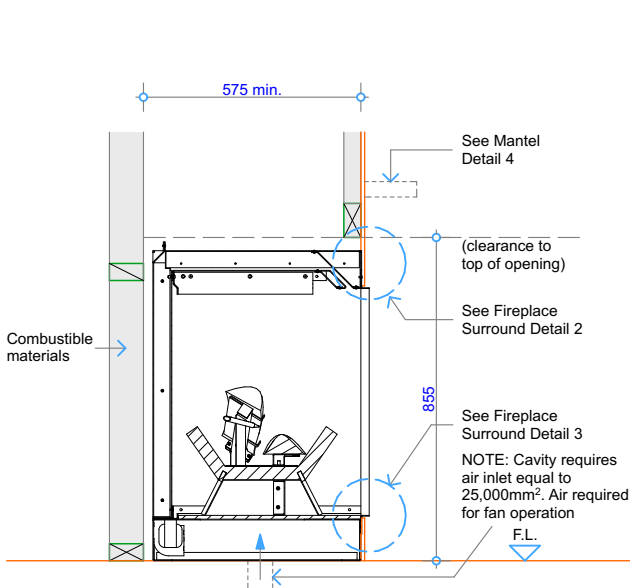
Drawing No.	<b>GD6-1400-901EB</b>	Sheet 01 of 04	Revision <span style="border: 1px solid black; padding: 2px;">1</span>
-------------	-----------------------	----------------	--



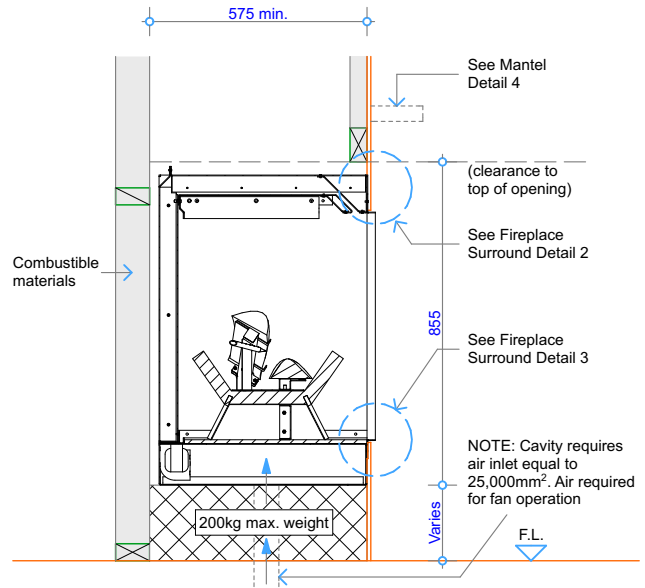
**Plan View - Fire Insert**



**Front View - Fire Insert**



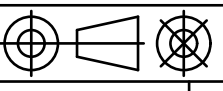
**Cross Section - Fire Insert at Floor Level**



**Cross Section - Fire Insert on Plinth**

NOTE: Plinth height can vary to suit

COPYRIGHT ©  
 THIS DRAWING IS THE PROPERTY  
 OF The Fire Dept.

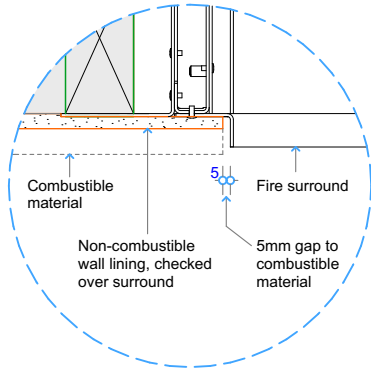
Client: THE FIRE DEPT.		
Product: GD6-1400-Exposed Burner		
Title: CAVITY CLEARANCES		
Drawn: SR	Date: 27/03/2018	
Chkd: JW	Date: 27/03/2018	
Appd: JW	Date: 27/03/2018	
Scale:		on A4



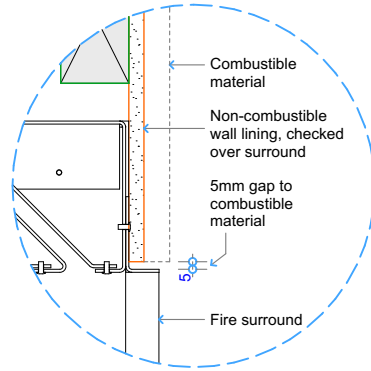
Drawing No. **GD6-1400-902EB**

Sheet 02 of 04

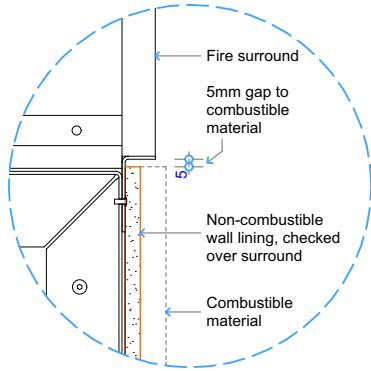
Revision 1



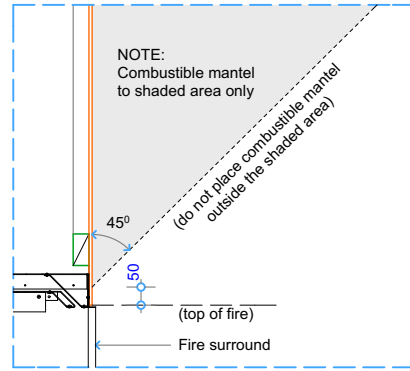
Detail 1 - Plan View Fire Surround



Detail 2 - Top of Fire to Combustible Materials



Detail 3 - Bottom of Fire to Floor



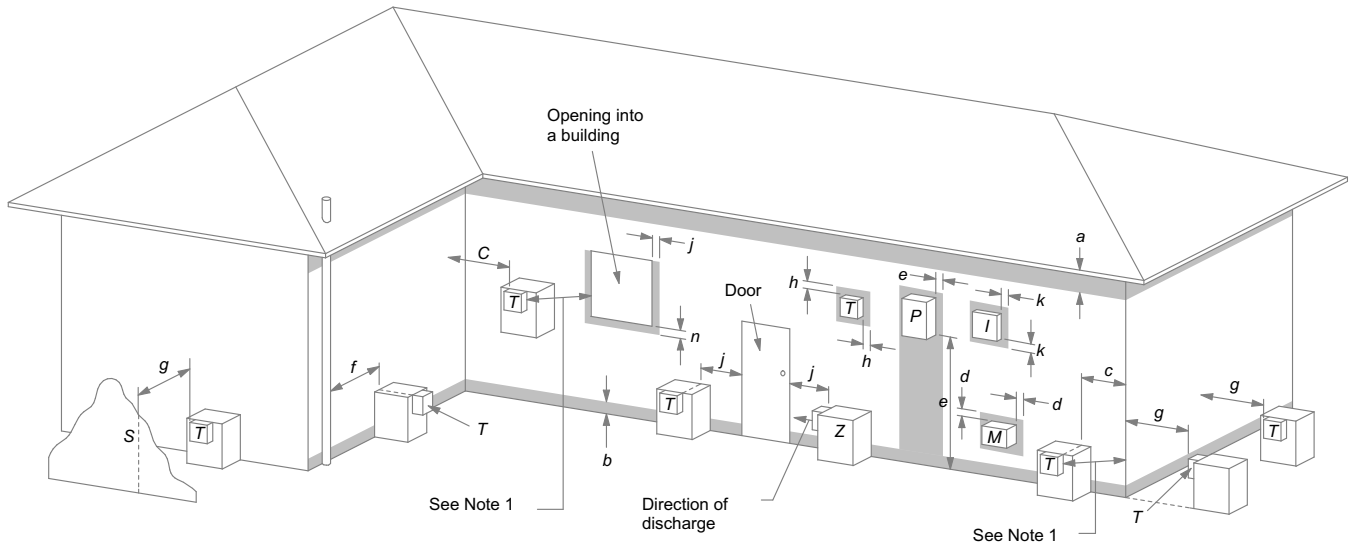
Detail 4 - Top of Fire to Combustible Mantel

COPYRIGHT ©  
 THIS DRAWING IS THE PROPERTY  
 OF **The Fire Dept.**

Client: THE FIRE DEPT.		
Product: GD6-1400-Exposed Burner		
Title: SURROUND DETAILS		
Drawn: SR	Date: 27/03/2018	
Chkd: JW	Date: 27/03/2018	
Appd: JW	Date: 27/03/2018	
Scale:		on A4



Drawing No.	<b>GD6-1400-903EB</b>	Sheet 03 of 04	Revision <span style="border: 1px solid black; padding: 2px;">1</span>
-------------	-----------------------	----------------	--



**LEGEND:**

- I = Mechanical air inlet
- M = Gas meter
- P = Electricity meter or fuse box
- S = Structure
- T = Flue terminal
- Z = Fan-assisted appliance only

- a = 200
- b = 300
- c = 300
- d = 1000
- e = 500
- f = 75
- g = 500
- h = 300
- j = 300 (at window) & 1500 (fan-assisted appliance by the door)
- k = 1000
- n = 500

**NOTES:**

- 1 Where dimensions *c*, *j* or *k* cannot be achieved an equivalent horizontal distance measured diagonally from the nearest discharge point of the terminal to the opening may be deemed by the *Technical Regulator* to comply.

Shading indicates prohibited area for flue terminals

**Location of Flue Terminals of Balanced Flue, Room-Sealed, Fan-Assisted or Outdoor Appliances**

**NOTE:** To be read in conjunction with AS/NZS 5601.1:2013

<p style="writing-mode: vertical-rl; transform: rotate(180deg);">COPYRIGHT© THIS DRAWING IS THE PROPERTY OF The Fire Dept.</p>	Client: THE FIRE DEPT.			
	Product: GD6-1400-Exposed Burner			
	Title: FLUE EXIT CLEARANCES			
	Drawn: SR	Date: 27/03/2018		
	Chkd: JW	Date: 27/03/2018		
	Appd: JW	Date: 27/03/2018		
Scale: on A4				
Drawing No. <b>GD6-1400-904EB</b>	Sheet 04 of 04	Revision <span style="border: 1px solid black; padding: 2px;">1</span>		