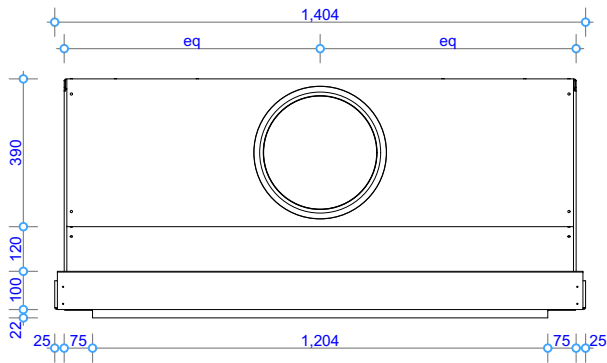




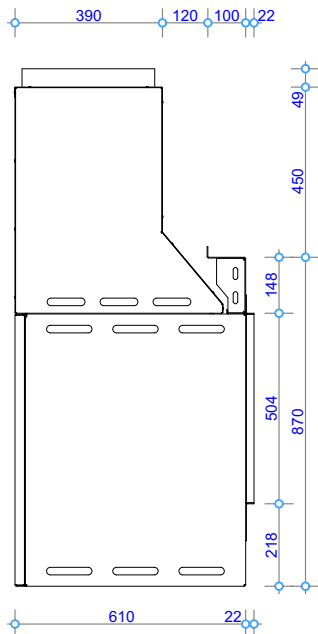
GD8 – 1200 Recessed Burner

Specifications

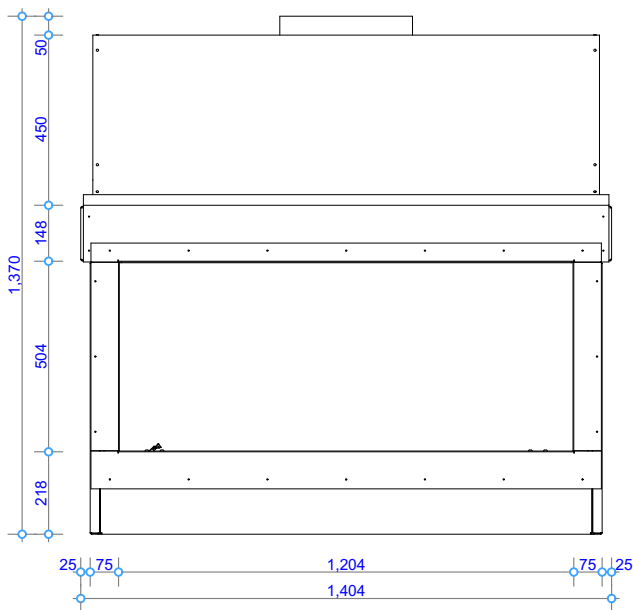
Information in this specification may be subject to change without notice. Please ensure you have the current version before beginning installation.



Plan View

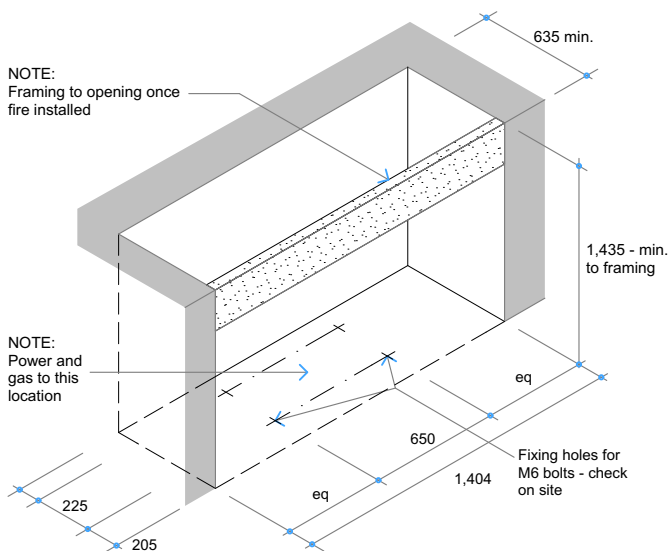


Side View



Front View

TOLERANCE = +/- 3mm



Fire Installation - Trim Sizes

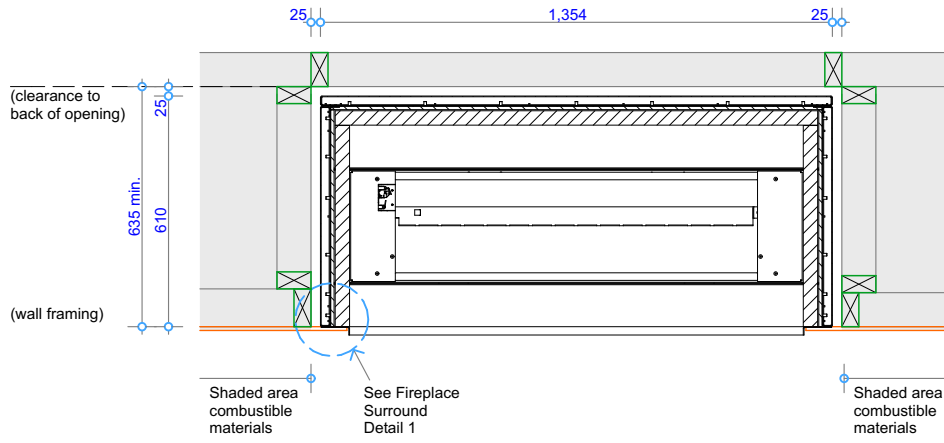
NOTE: Confirm fixing holes on site prior to drilling

COPYRIGHT©
 THIS DRAWING IS THE PROPERTY
 OF The Fire Dept.

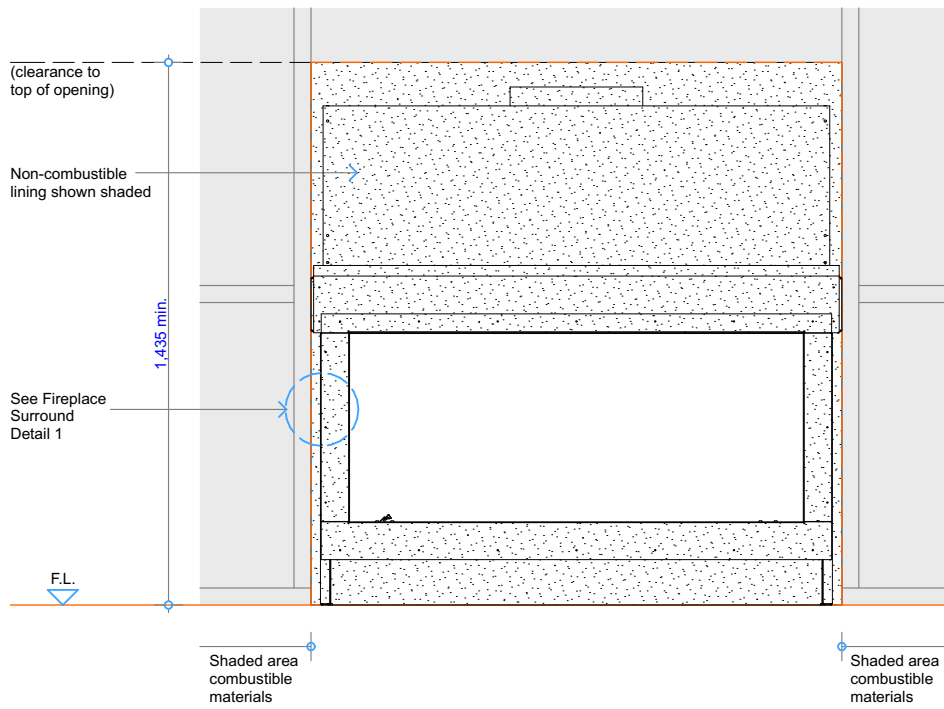
Client: THE FIRE DEPT.		
Product: GD8-1200-Recessed Burner		
Title: FIREBOX DIMENSIONS		
Drawn: SR	Date: 03/05/2018	
Chkd: JW	Date: 03/05/2018	
Appd: JW	Date: 03/05/2018	
Scale:		on A4



Drawing No.	GD8-1200-901RB	Sheet 01 of 10	Revision 3
-------------	-----------------------	----------------	--



Plan View - Fire Insert



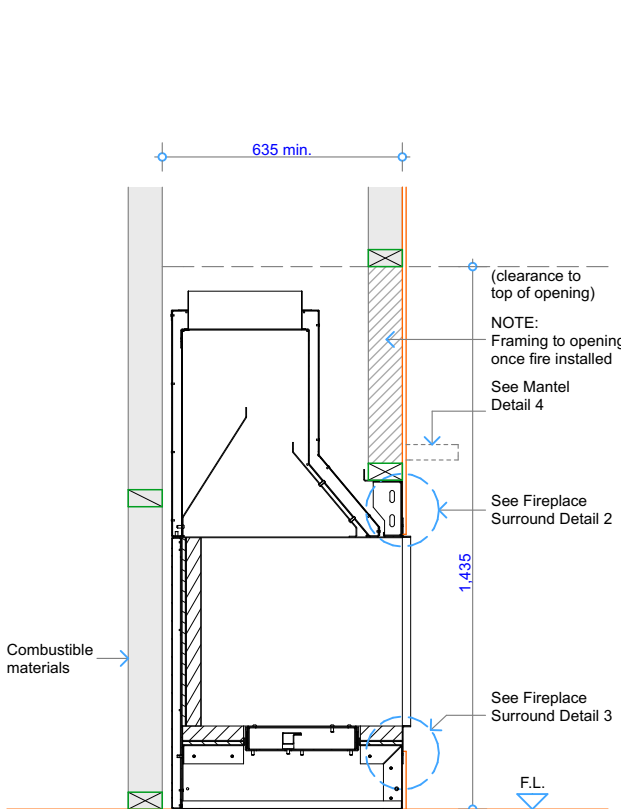
Front View - Fire Insert

COPYRIGHT ©
 THIS DRAWING IS THE PROPERTY
 OF **The Fire Dept.**

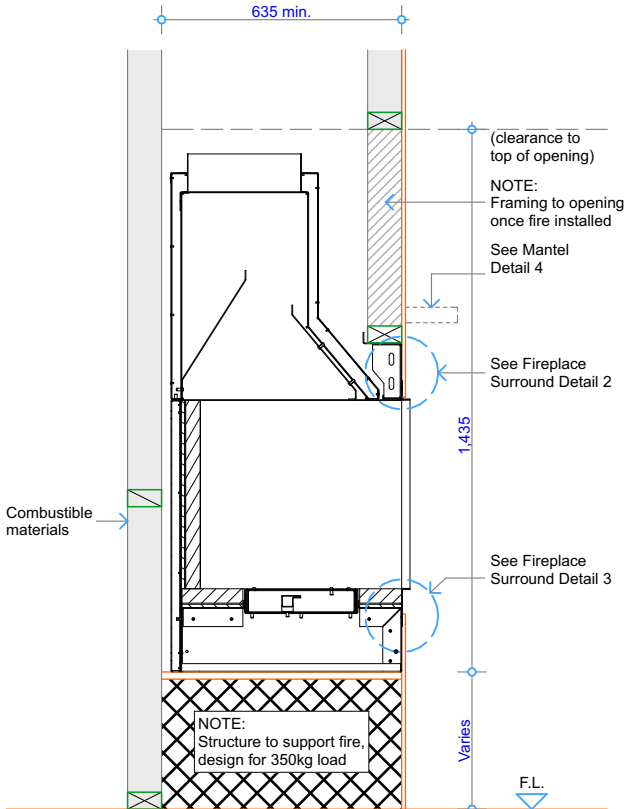
Client: THE FIRE DEPT.		
Product: GD8-1200-Recessed Burner		
Title: CAVITY CLEARANCES		
Drawn: SR	Date: 03/05/2018	
Chkd: JW	Date: 03/05/2018	
Appd: JW	Date: 03/05/2018	
Scale:		on A4



Drawing No.	GD8-1200-902RB	Sheet 02 of 10	Revision 3
-------------	-----------------------	----------------	--

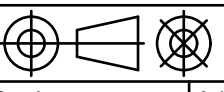


Cross Section - Fire Insert at Floor Level



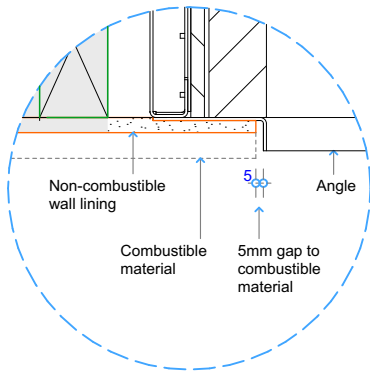
Cross Section - Fire Insert at Floor Level

COPYRIGHT ©
 THIS DRAWING IS THE PROPERTY
 OF **The Fire Dept.**

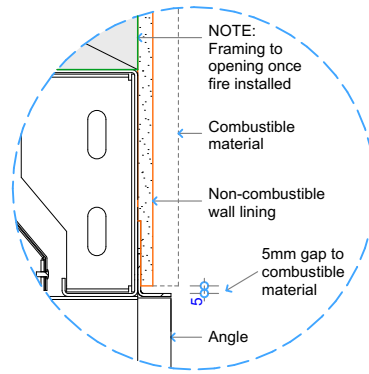
Client: THE FIRE DEPT.		
Product: GD8-1200-Recessed Burner		
Title: CAVITY CLEARANCES		
Drawn: SR	Date: 03/05/2018	
Chkd: JW	Date: 03/05/2018	
Appd: JW	Date: 03/05/2018	
Scale:		on A4



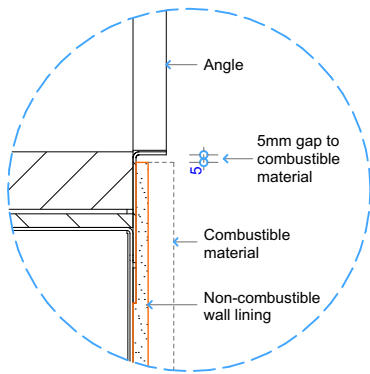
Drawing No.	GD8-1200-903RB	Sheet 03 of 10	Revision 3
-------------	-----------------------	----------------	--



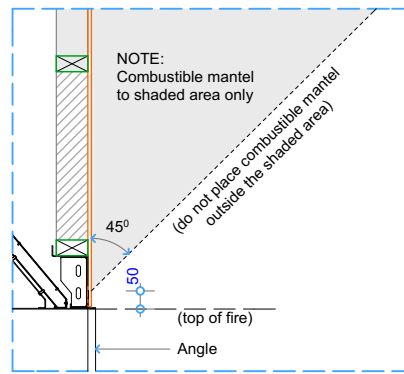
Detail 1 - Plan View Fire Surround



Detail 2 - Top of Fire to Combustible Materials



Detail 3 - Bottom of Fire to Floor



Detail 4 - Top of Fire to Combustible Mantel

COPYRIGHT©
 THIS DRAWING IS THE PROPERTY
 OF **The Fire Dept.**

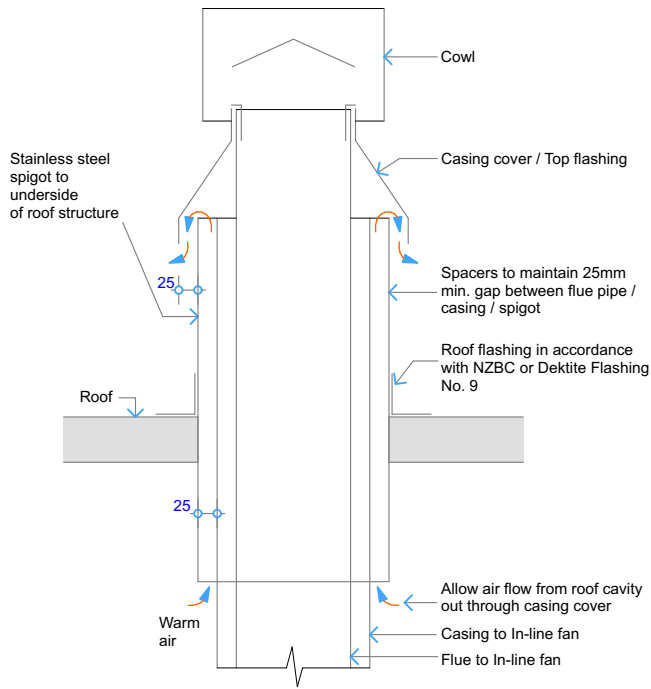
Client: THE FIRE DEPT.		
Product: GD8-1200-Recessed Burner		
Title: SURROUND DETAILS		
Drawn: SR	Date: 03/05/2018	
Chkd: JW	Date: 03/05/2018	
Appd: JW	Date: 03/05/2018	
Scale:		on A4



Drawing No. **GD8-1200-904RB**

Sheet 04 of 10

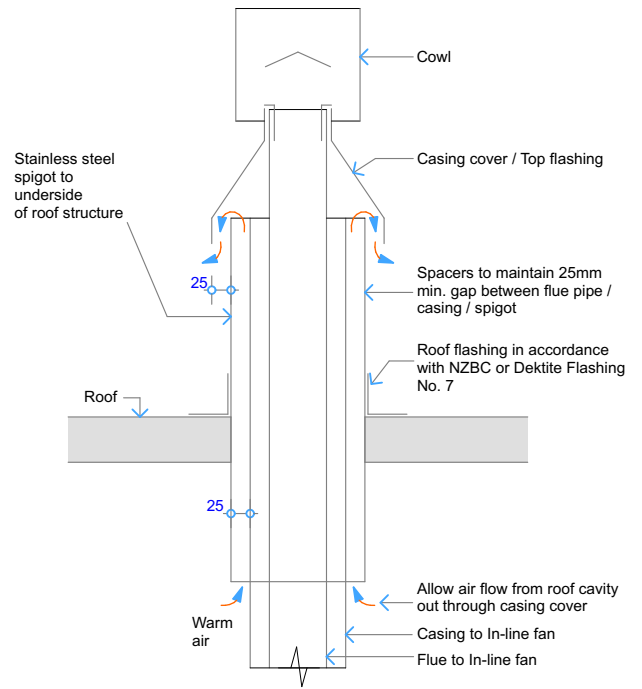
Revision 3



Detail - Air Ventilation through Casing cover/ Top flashing - Without Fan

Flue components:
 300mm dia. Flue
 350mm dia. Casing
 400mm dia. Spigot
 Deklite Flashing No. 9

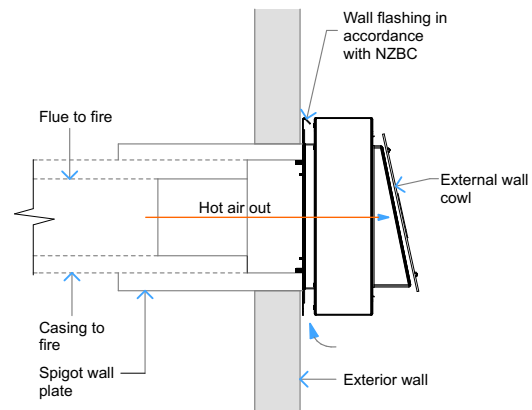
NOTE:
 Flue components must be installed to AS/NZS5601 requirements.
 All external penetration flashings must be installed in accordance with NZBC.
 Fire supplied with 3m of 5 core wire from fire to fan.
 Cavity airflow must be unobstructed from fire to flue termination.
 25mm clearance between flue and combustible materials.
 75mm clearance between flue and wiring / plastic water pipes.
 Horizontal flue run must fall 20mm for every 1000mm towards the fire.
 Each flue joint must be sealed with a heat proof sealer.
 Each flue joint must have a minimum of 4 x riverts.
 Flue to be adequately supported at 2.4m crs.



Detail - Air Ventilation through Casing cover/ Top flashing - With Fan

Flue components (from Fire to Fan):
 300mm dia. Flue
 350mm dia. Casing
 400mm dia. Spigot

Flue components (from Fan to Flue Exit):
 150mm dia. Flue
 200mm dia. Casing
 250mm dia. Spigot
 Deklite Flashing No. 7



Detail - Air Ventilation through Wall

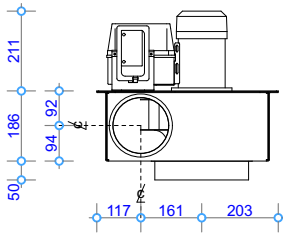
Flue components:
 150mm dia. Flue
 200mm dia. Casing
 250mm dia. Spigot

COPYRIGHT ©
 THIS DRAWING IS THE PROPERTY
 OF The Fire Dept.

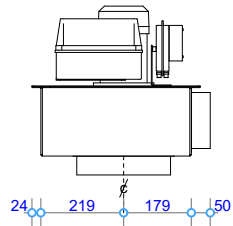
Client: THE FIRE DEPT.		
Product: GD8-1200-Recessed Burner		
Title: VERTICAL & HORIZONTAL FLUE EXIT DETAILS		
Drawn: SR	Date: 03/05/2018	
Chkd: JW	Date: 03/05/2018	
Appd: JW	Date: 03/05/2018	
Scale: on A4		



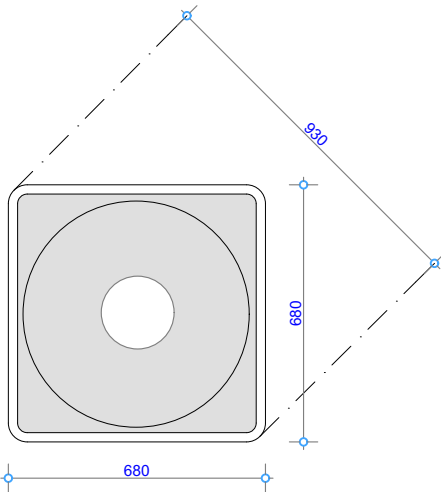
Drawing No. GD8-1200-905RB	Sheet 05 of 10	Revision 3
----------------------------	----------------	------------



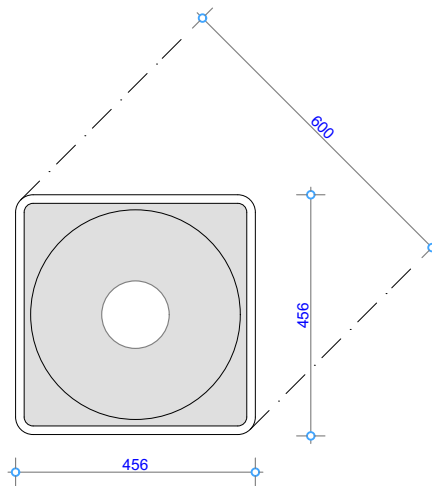
Detail - In-Line Fan - Front view
NOTE: Requires access hatch for maintenance



Side view



Dektite Flashing No. 9 - Plan View



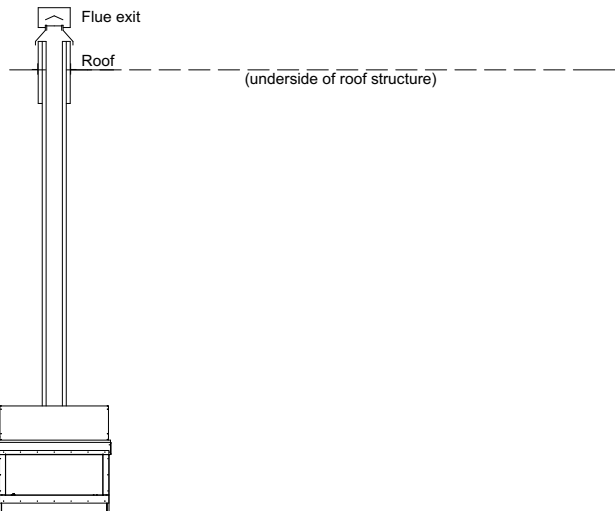
Dektite Flashing No. 7 - Plan View

COPYRIGHT©
 THIS DRAWING IS THE PROPERTY
 OF **The Fire Dept.**

Client: THE FIRE DEPT.		
Product: GD8-1200-Recessed Burner		
Title: VERTICAL & HORIZONTAL FLUE EXIT DETAILS		
Drawn: SR	Date: 03/05/2018	
Chkd: JW	Date: 03/05/2018	
Appd: JW	Date: 03/05/2018	
Scale:		on A4

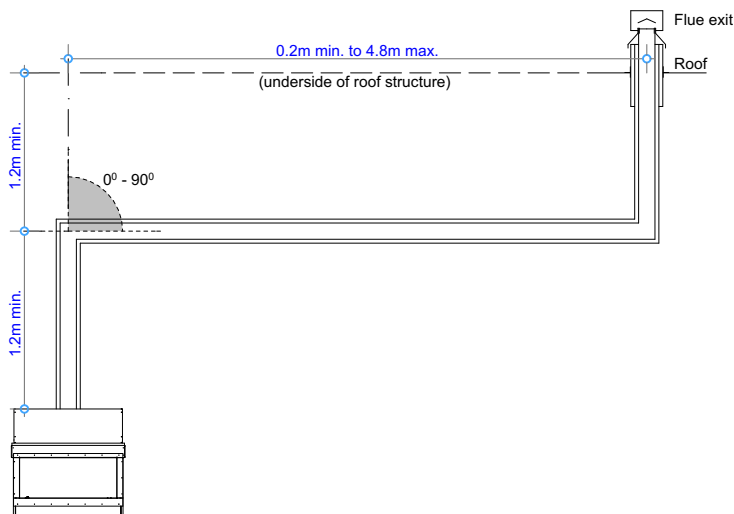


Drawing No.	GD8-1200-906RB	Sheet 06 of 10	Revision 3
-------------	-----------------------	----------------	--



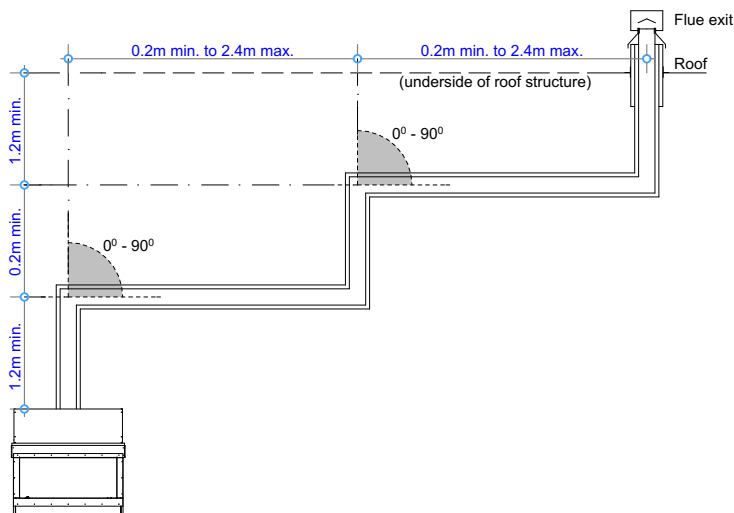
Vertical Flue Combination GD8A

NOTE:
 Flue components must be installed to AS/NZS5601 requirements.
 All external penetration flashings must be installed in accordance with NZBC.
 Cavity airflow must be unobstructed from fire to flue termination.
 25mm clearance between flue and combustible materials.
 75mm clearance between flue and wiring / plastic water pipes.
 Each flue joint must be sealed with a heat proof sealer.
 Each flue joint must have a minimum of 4 x riverts.
 Flue to be adequately supported at 2.4m crs.



Vertical Flue Combination GD8B

NOTE:
 Flue components must be installed to AS/NZS5601 requirements.
 All external penetration flashings must be installed in accordance with NZBC.
 Cavity airflow must be unobstructed from fire to flue termination.
 25mm clearance between flue and combustible materials.
 75mm clearance between flue and wiring / plastic water pipes.
 Horizontal flue run must fall 20mm for every 1000mm towards the fire.
 Each flue joint must be sealed with a heat proof sealer.
 Each flue joint must have a minimum of 4 x riverts.
 Flue to be adequately supported at 2.4m crs.



Vertical Flue Combination GD8C

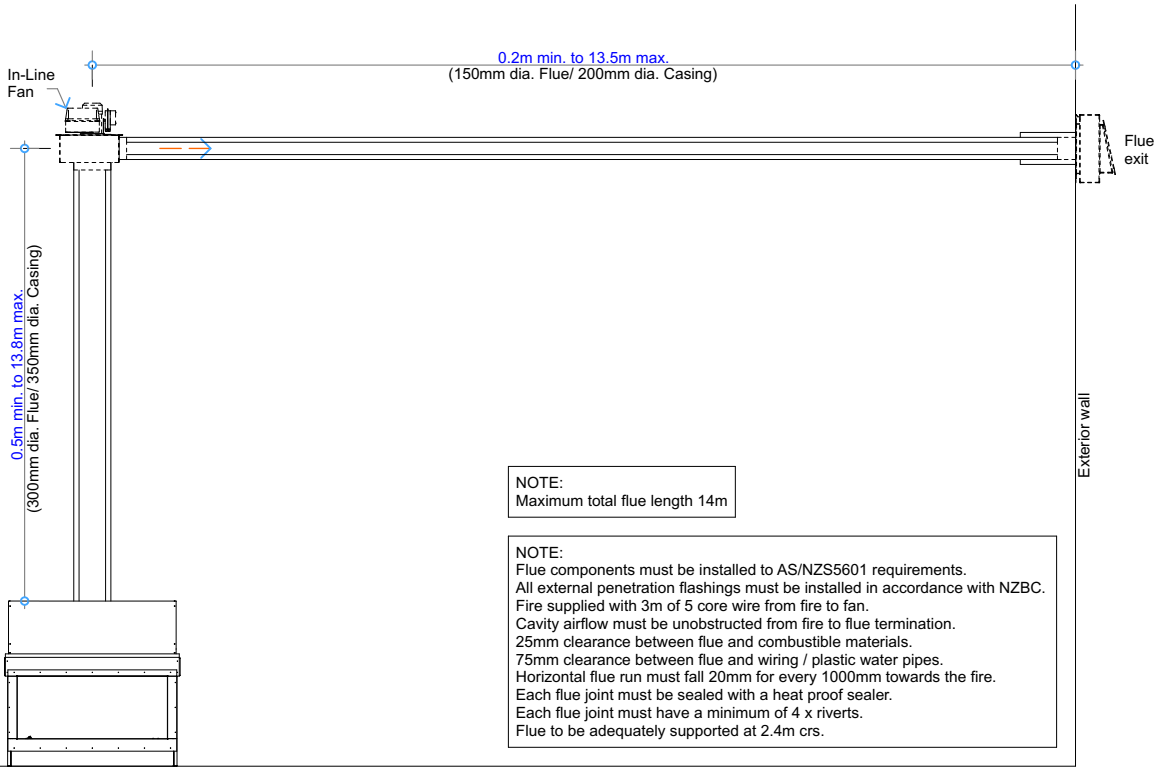
NOTE:
 Flue components must be installed to AS/NZS5601 requirements.
 All external penetration flashings must be installed in accordance with NZBC.
 Cavity airflow must be unobstructed from fire to flue termination.
 25mm clearance between flue and combustible materials.
 75mm clearance between flue and wiring / plastic water pipes.
 Horizontal flue run must fall 20mm for every 1000mm towards the fire.
 Each flue joint must be sealed with a heat proof sealer.
 Each flue joint must have a minimum of 4 x riverts.
 Flue to be adequately supported at 2.4m crs.

COPYRIGHT ©
 THIS DRAWING IS THE PROPERTY
 OF The Fire Dept.

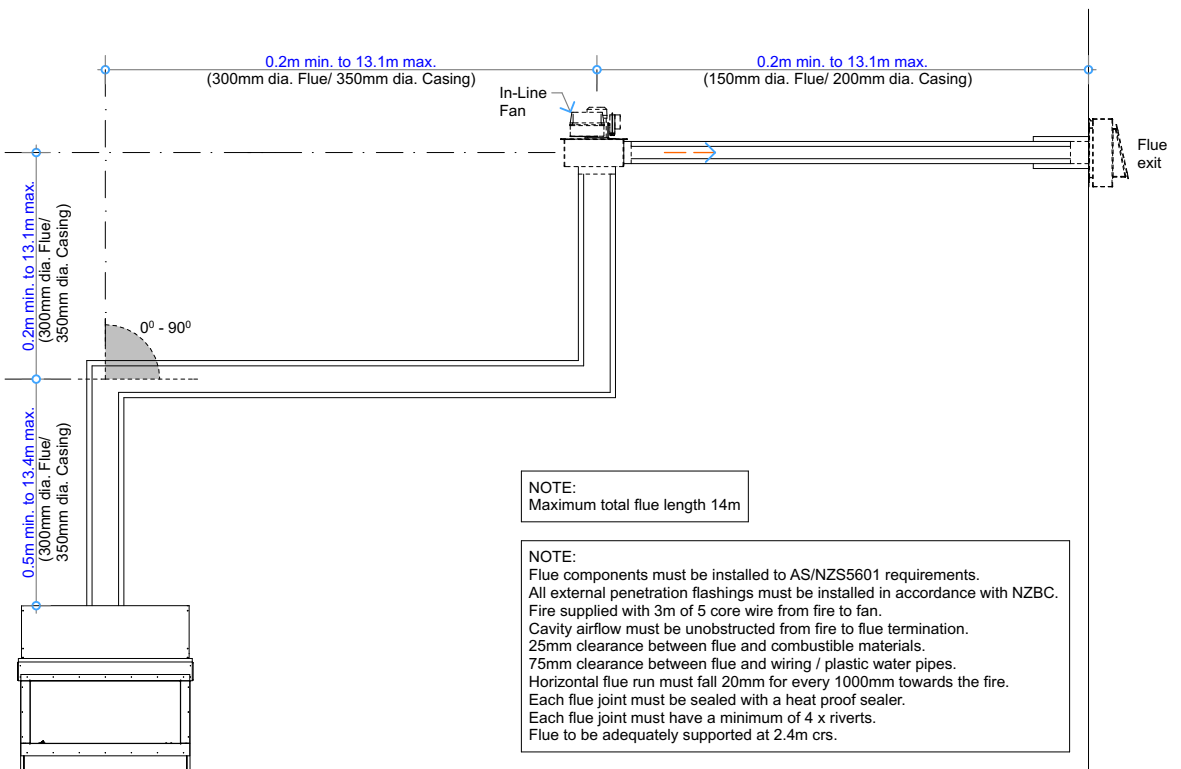
Client: THE FIRE DEPT.		
Product: GD8-1200-Recessed Burner		
Title: VERTICAL FLUE COMBINATION OPTIONS - WITHOUT FAN		
Drawn: SR	Date: 03/05/2018	
Chkd: JW	Date: 03/05/2018	
Appd: JW	Date: 03/05/2018	
Scale:		on A4



Drawing No.	GD8-1200-907RB	Sheet 07 of 10	Revision 3
-------------	-----------------------	----------------	--



Horizontal Flue Combination GD8D



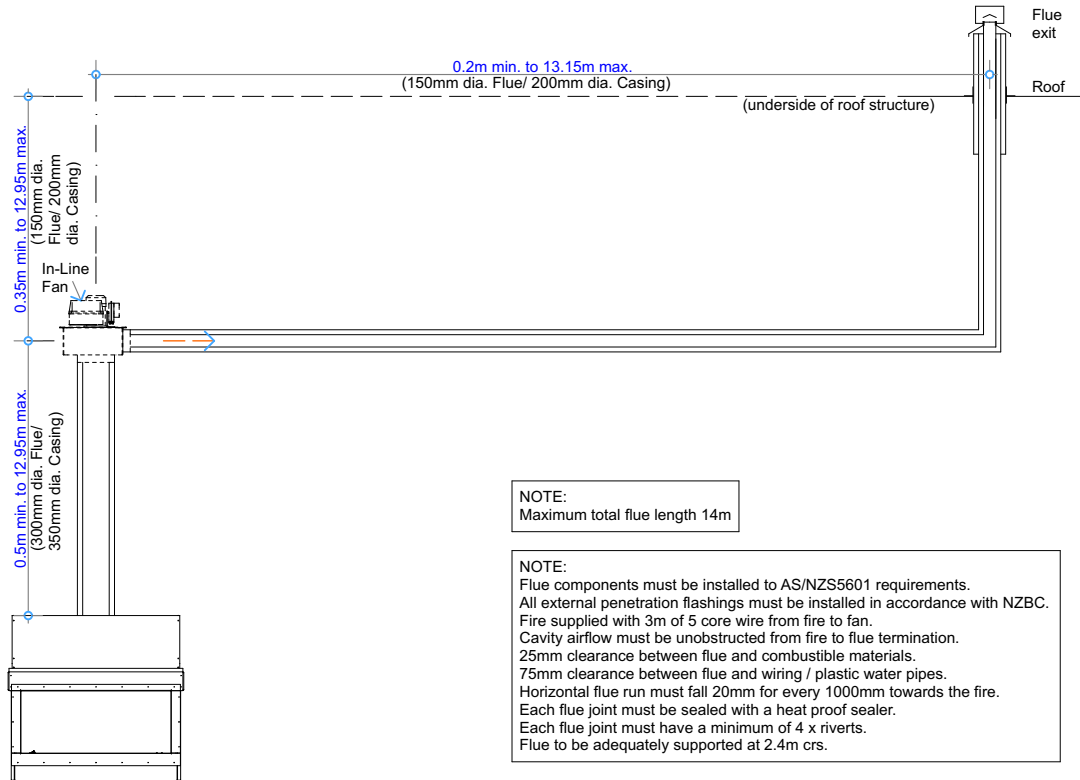
Horizontal Flue Combination GD8E

COPYRIGHT©
THIS DRAWING IS THE PROPERTY
OF The Fire Dept.

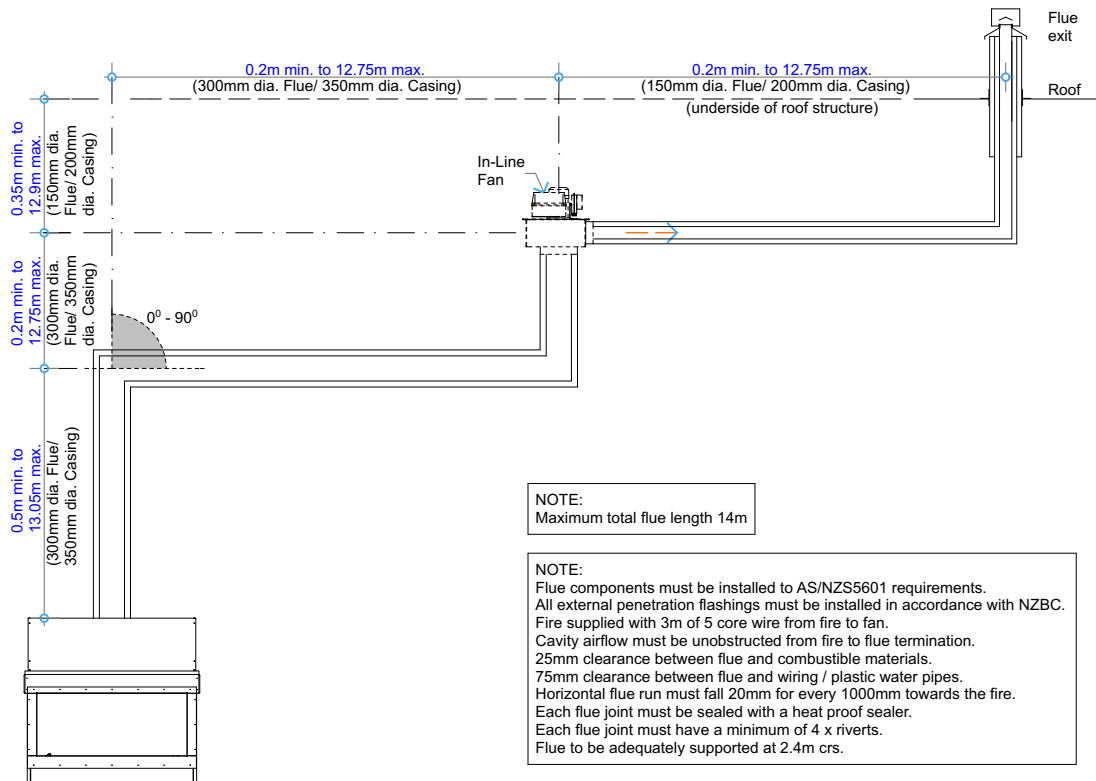
Client: THE FIRE DEPT.		
Product: GD8-1200-Recessed Burner		
Title: HORIZONTAL FLUE COMBINATION OPTIONS		
Drawn: SR	Date: 03/05/2018	
Chkd: JW	Date: 03/05/2018	
Appd: JW	Date: 03/05/2018	
Scale:		on A4



Drawing No.	GD8-1200-908RB	Sheet 08 of 10	Revision	3
-------------	----------------	----------------	----------	---



Vertical Flue Combination GD8F



Vertical Flue Combination GD8G

COPYRIGHT©
THIS DRAWING IS THE PROPERTY
OF The Fire Dept.

Client: THE FIRE DEPT.

Product: GD8-1200-Recessed Burner

Title: VERTICAL FLUE COMBINATION OPTIONS - WITH FAN

Drawn: SR

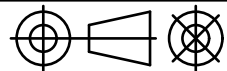
Date: 03/05/2018

Chkd: JW

Date: 03/05/2018

Appd: JW

Date: 03/05/2018



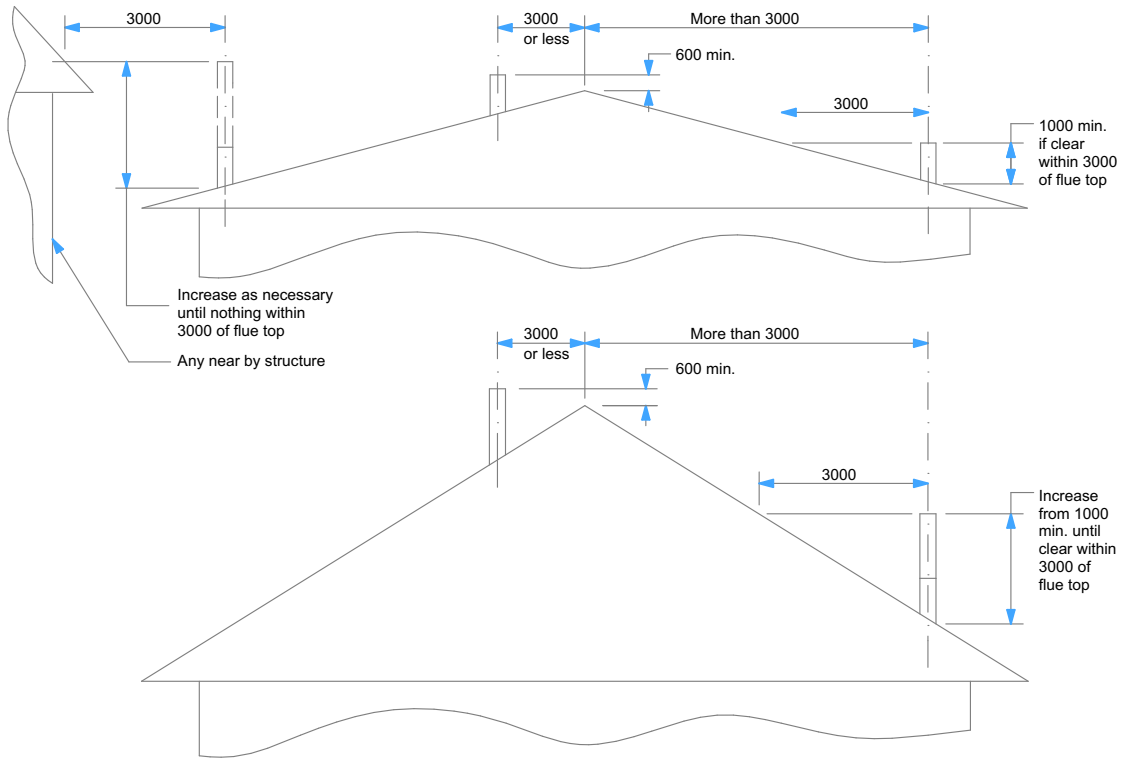
Scale: on A4

THE
**FIRE
DEPT.**

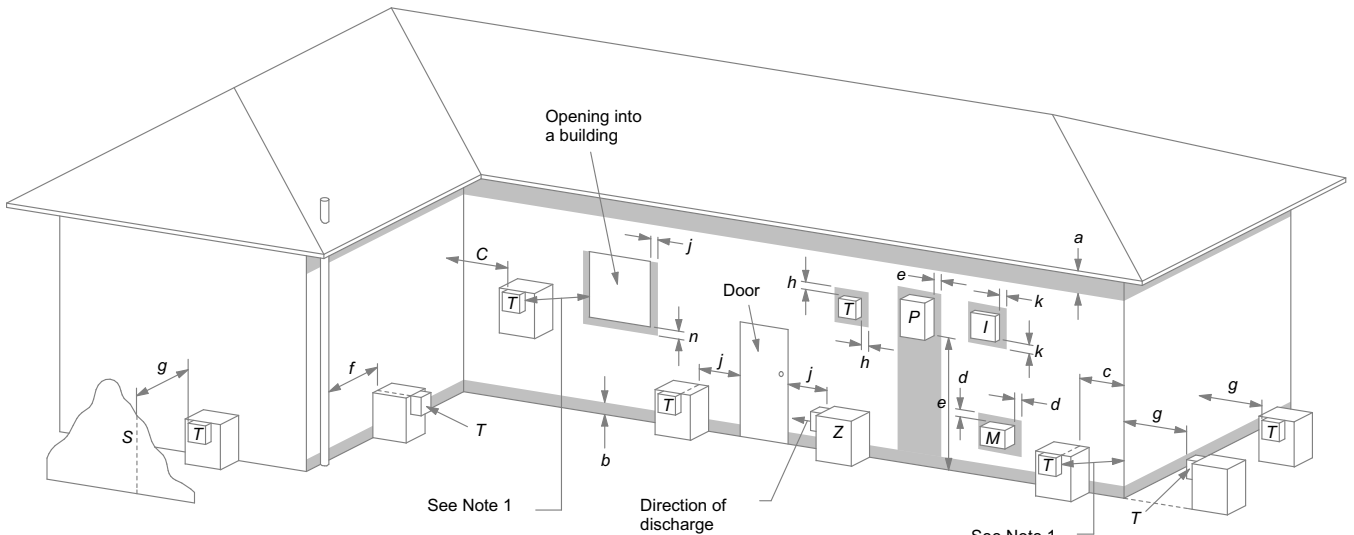
Drawing No. **GD8-1200-909RB**

Sheet 09 of 10

Revision **3**



Minimum Height of Flue System Exit
Or as per AS/NZS 5601



LEGEND:

- I* = Mechanical air inlet
- M* = Gas meter
- P* = Electricity meter or fuse box
- S* = Structure
- T* = Flue terminal
- Z* = Fan-assisted appliance only

- a* = 200
- b* = 300
- c* = 300
- d* = 1000
- e* = 500
- f* = 75
- g* = 500
- h* = 300
- j* = 300 (at window) & 1500 (fan-assisted appliance by the door)
- k* = 1000
- n* = 500

NOTES:

- 1 Where dimensions *c*, *j* or *k* cannot be achieved an equivalent horizontal distance measured diagonally from the nearest discharge point of the terminal to the opening may be deemed by the *Technical Regulator* to comply.

Shading indicates prohibited area for flue terminals

Location of Flue Terminals of Balanced Flue, Room-Sealed, Fan-Assisted or Outdoor Appliances

NOTE: To be read in conjunction with AS/NZS 5601.1:2013

COPYRIGHT ©
 THIS DRAWING IS THE PROPERTY
 OF The Fire Dept.

Client: THE FIRE DEPT.		
Product: GD8-1200-Recessed Burner		
Title: FLUE EXIT CLEARANCES		
Drawn: SR	Date: 03/05/2018	
Chkd: JW	Date: 03/05/2018	
Appd: JW	Date: 03/05/2018	
Scale: on A4		



Drawing No.	GD8-1200-910RB	Sheet 10 of 10	Revision 3
-------------	-----------------------	----------------	--