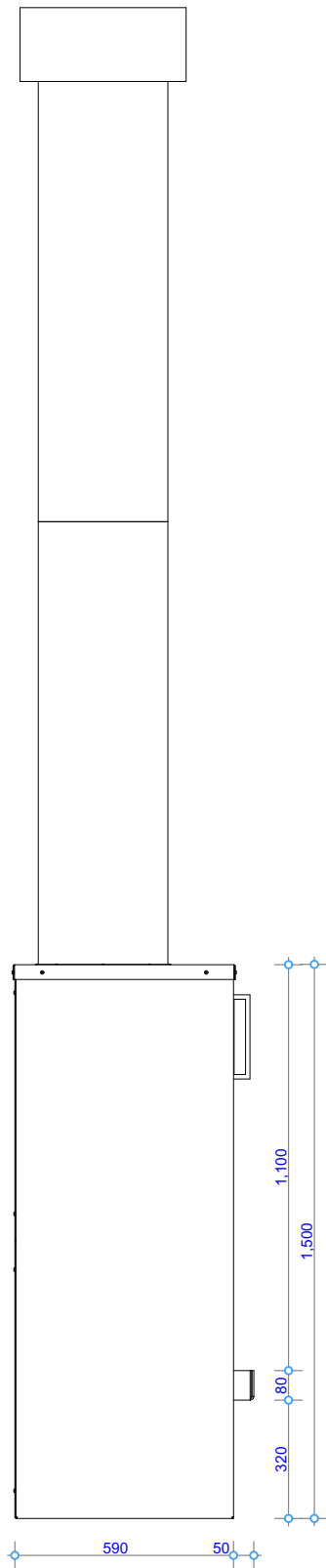


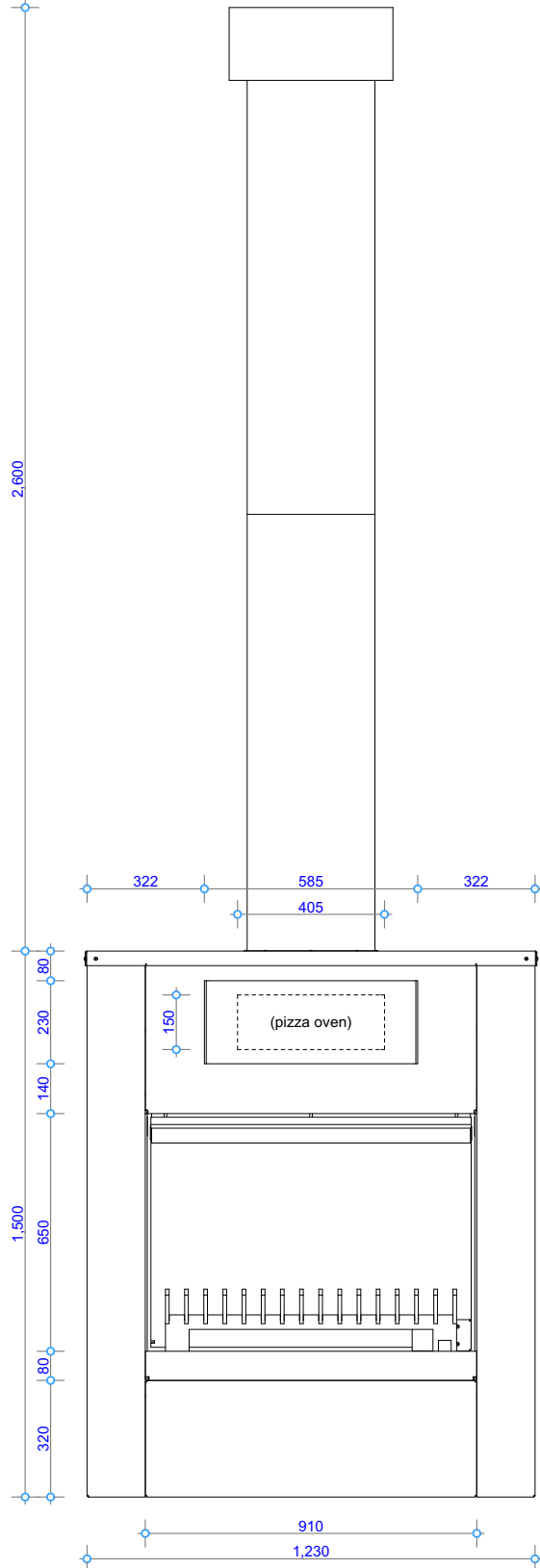


WD50

Specifications



Side View



Front View

TOLERANCE = +/- 3mm

COPYRIGHT©
THIS DRAWING IS THE PROPERTY
OF The Fire Dept.

Client: THE FIRE DEPT.

Product: WD50-1200

Title: FIRE DIMENSIONS

Drawn: SR

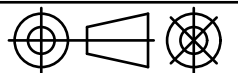
Date: 24/11/2017

Chkd: JW

Date: 24/11/2017

Appd: JW

Date: 24/11/2017



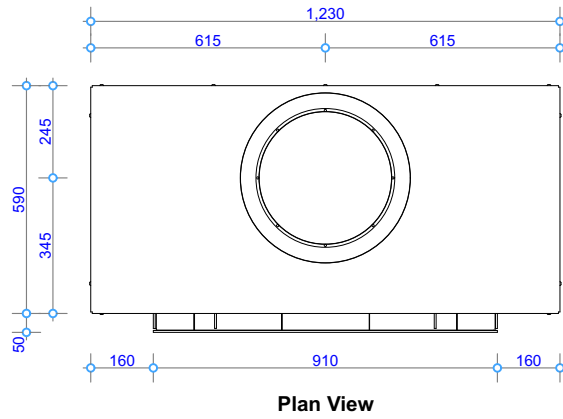
Scale: on A4

THE FIRE DEPT.

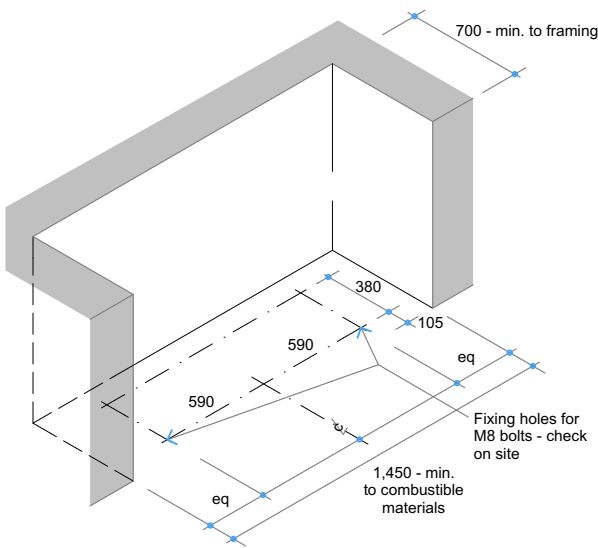
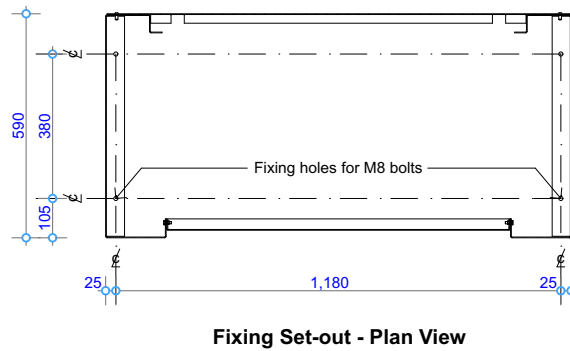
Drawing No. **WD50-1200-901**

Sheet 01 of 03

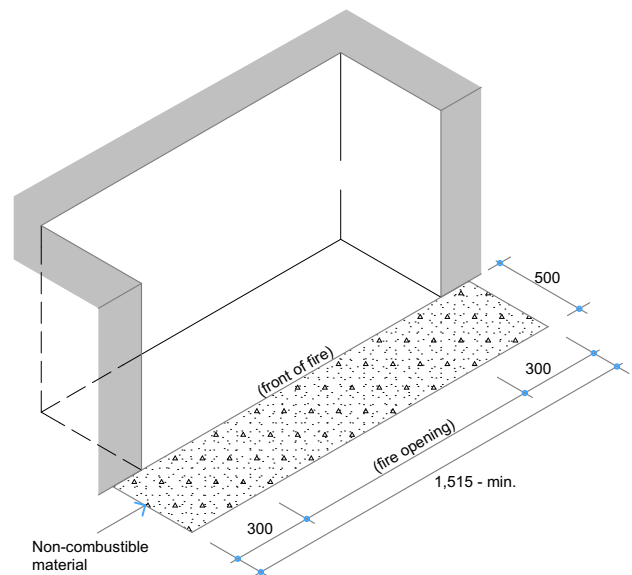
Revision 0



TOLERANCE = +/- 3mm

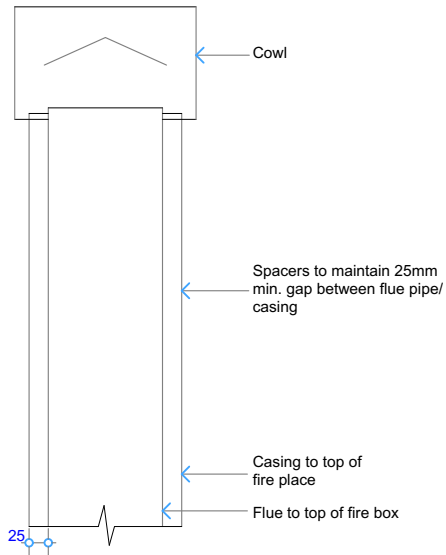


Fire Installation Requirements
 NOTE: Confirm fixing holes and access on site prior to drilling. Fire place to be 100mm clear of combustible materials



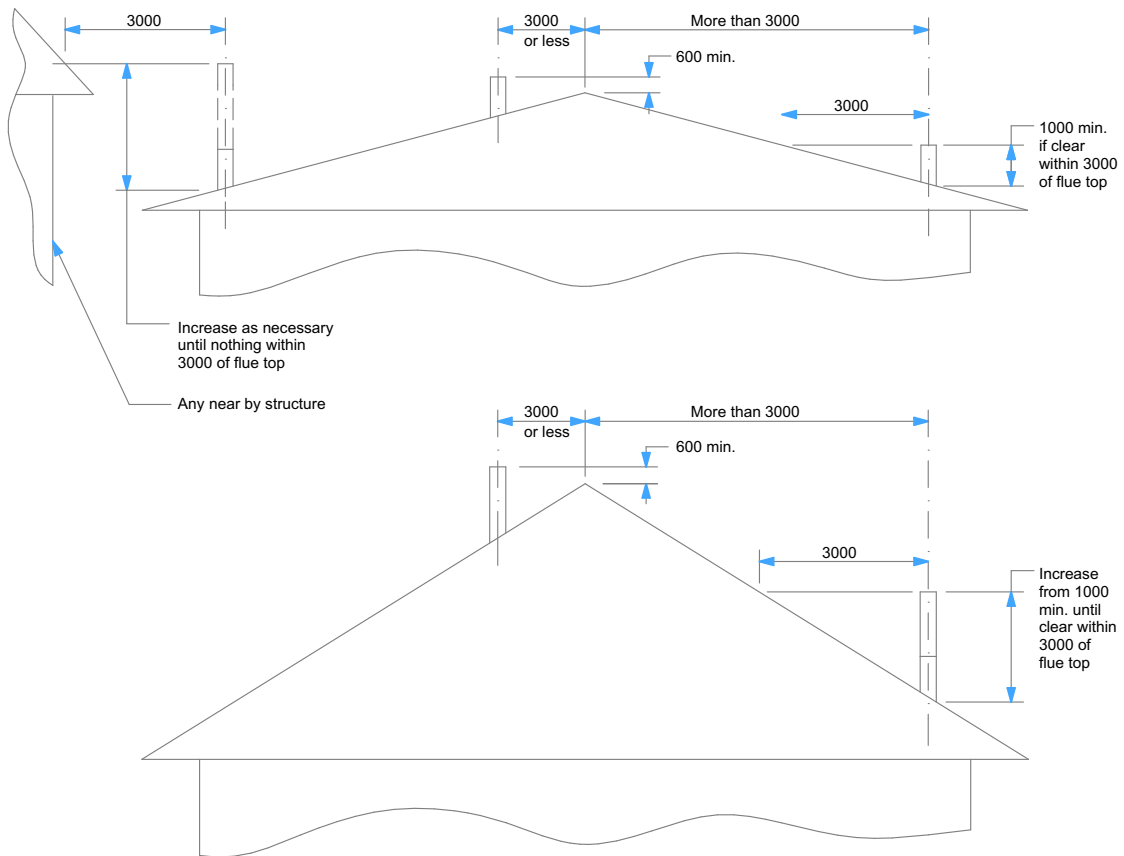
Fire Installation - Hearth Size
 NOTE: Hearth to extend minimum of 300mm both sides of fire opening, and 500mm from front of fire opening

COPYRIGHT© THIS DRAWING IS THE PROPERTY OF The Fire Dept.	Client: THE FIRE DEPT.			THE FIRE DEPT.
	Product: WD50-1200			
	Title: CAVITY CLEARANCES			
	Drawn: SR	Date: 24/11/2017	Scale: on A4	
	Chkd: JW	Date: 24/11/2017		
Appd: JW	Date: 24/11/2017			
Drawing No.	WD50-1200-902		Sheet 02 of 03	Revision 0



Detail - Chimney

Flue components:
 300mm dia. Flue
 350mm dia. Casing



Minimum Height of Flue
 Or as per AS/NZS 2918

COPYRIGHT© THIS DRAWING IS THE PROPERTY OF The Fire Dept.	Client: THE FIRE DEPT.			
	Product: WD50-1200			
	Title: FLUE EXIT DETAIL & CLEARANCES			
	Drawn: SR	Date: 24/11/2017		
	Chkd: JW	Date: 24/11/2017		
Appd: JW	Date: 24/11/2017	Scale: on A4		
Drawing No.	WD50-1200-903		Sheet 03 of 03	Revision 0