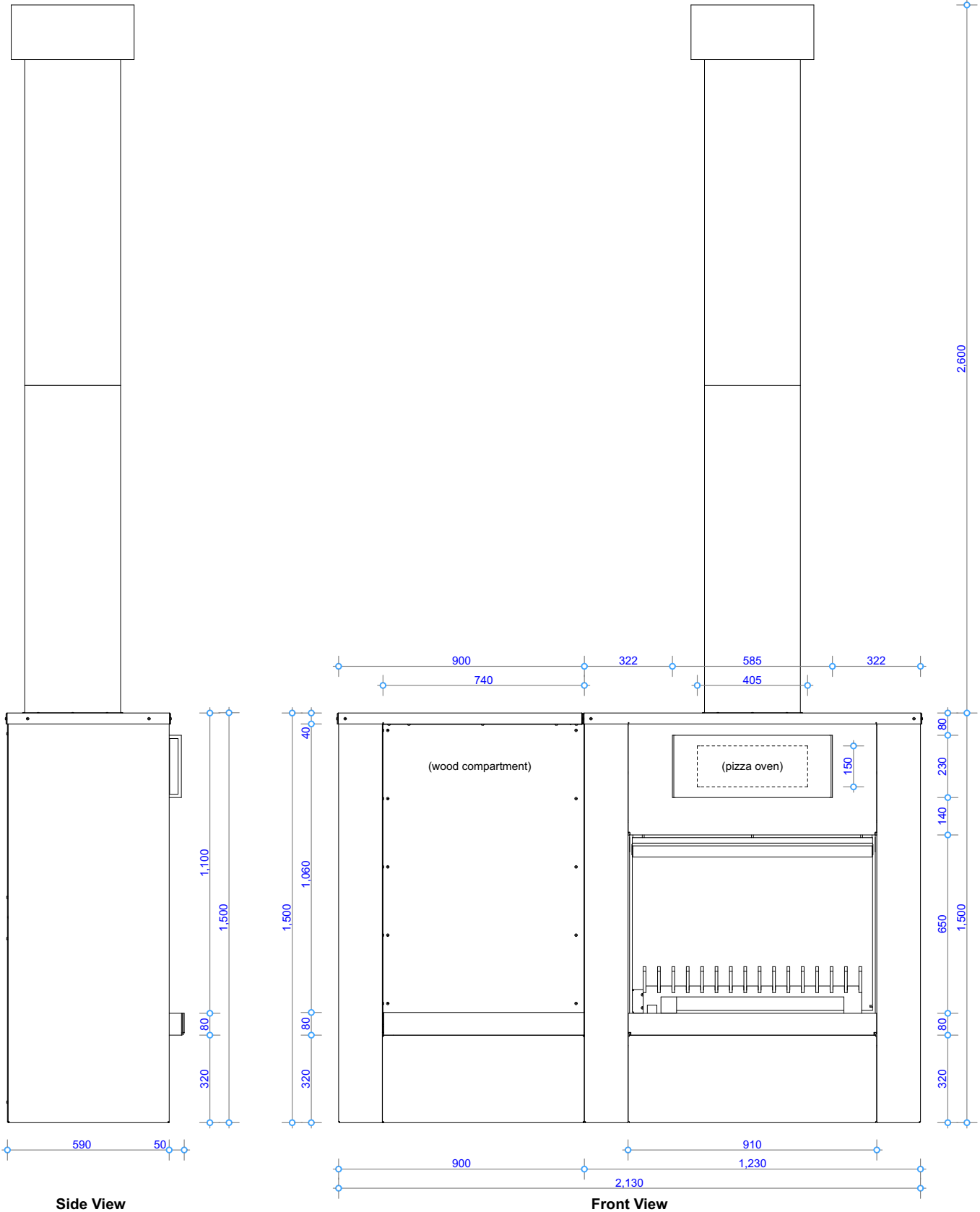




WD52

Specifications



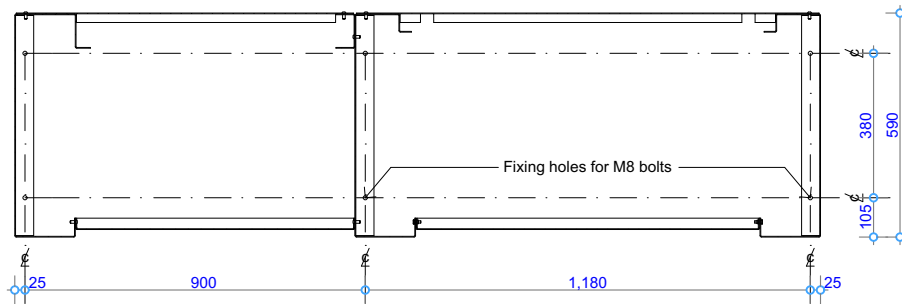
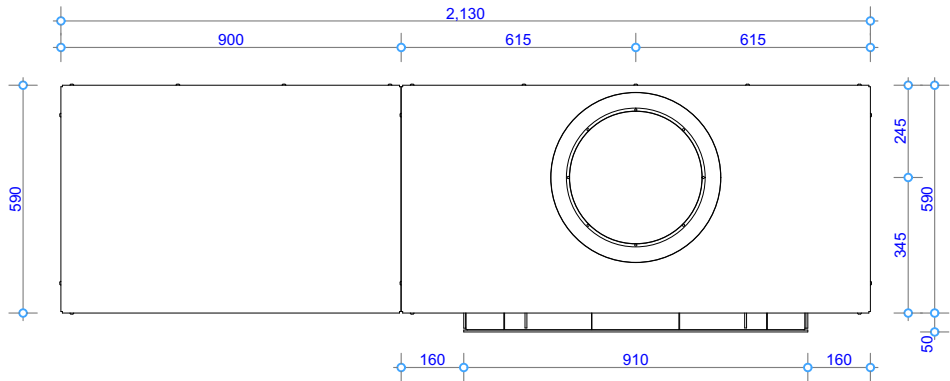
TOLERANCE = +/- 3mm

COPYRIGHT©
THIS DRAWING IS THE PROPERTY
OF The Fire Dept.

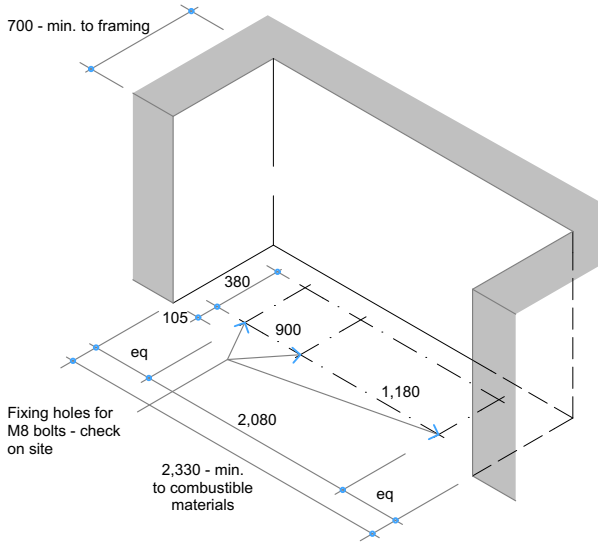
Client: THE FIRE DEPT.		
Product: WD52-1200		
Title: FIRE DIMENSIONS		
Drawn: SR	Date: 24/11/2017	
Chkd: JW	Date: 24/11/2017	
Appd: JW	Date: 24/11/2017	
Scale:		on A4



Drawing No.	WD52-1200-901	Sheet 01 of 03	Revision 0
-------------	----------------------	----------------	--

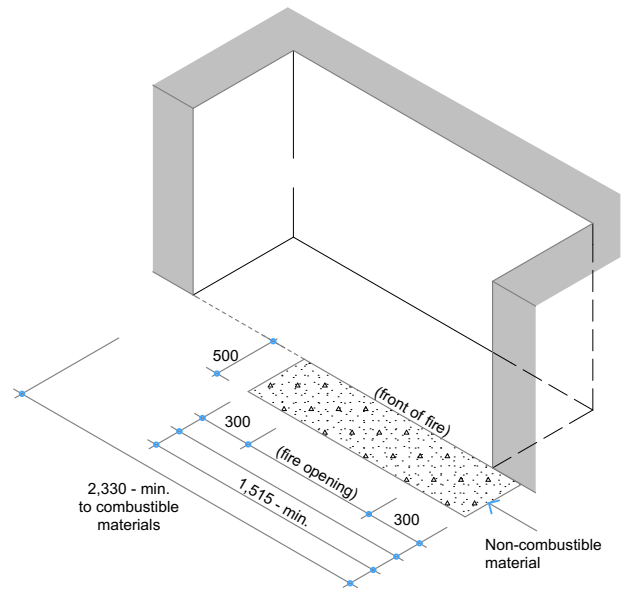


TOLERANCE = +/- 3mm



Fire Installation Requirements

NOTE: Confirm fixing holes and access on site prior to drilling. Fire place to be 100mm clear of combustible materials



Fire Installation - Hearth Size

NOTE: Hearth to extend minimum of 300mm both sides of fire opening, and 500mm from front of fire opening

COPYRIGHT©
THIS DRAWING IS THE PROPERTY
OF The Fire Dept.

Client: THE FIRE DEPT.

Product: WD52-1200

Title: CAVITY CLEARANCES

Drawn: SR

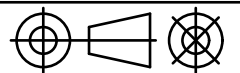
Date: 24/11/2017

Chkd: JW

Date: 24/11/2017

Appd: JW

Date: 24/11/2017



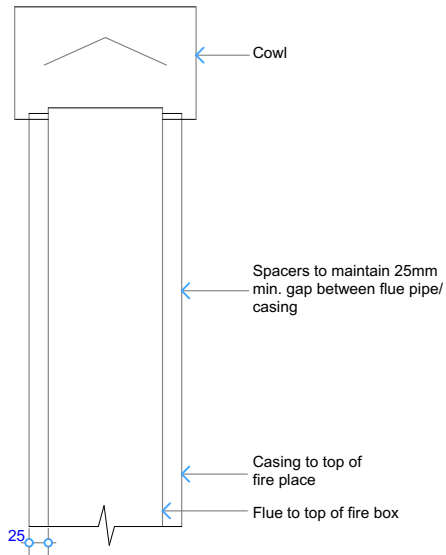
Scale: on A4

THE
**FIRE
DEPT.**

Drawing No. **WD52-1200-902**

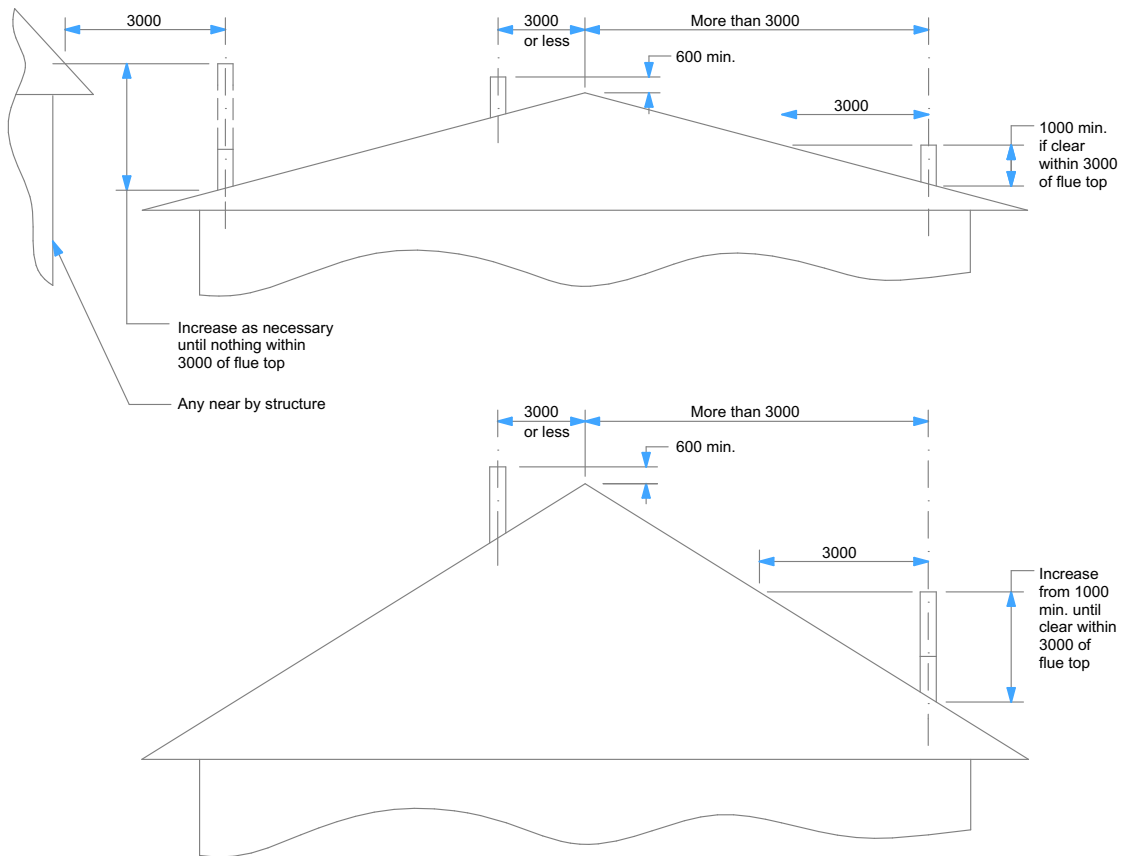
Sheet 02 of 03

Revision 0



Detail - Chimney

Flue components:
 300mm dia. Flue
 350mm dia. Casing



Minimum Height of Flue
 Or as per AS/NZS 2918

COPYRIGHT© THIS DRAWING IS THE PROPERTY OF The Fire Dept.	Client: THE FIRE DEPT.			
	Product: WD52-1200			
	Title: FLUE EXIT DETAIL & CLEARANCES			
	Drawn: SR	Date: 24/11/2017		
	Chkd: JW	Date: 24/11/2017		
Appd: JW	Date: 24/11/2017			
Drawing No. WD52-1200-903		Scale: on A4		
Sheet 03 of 03		Revision 0		