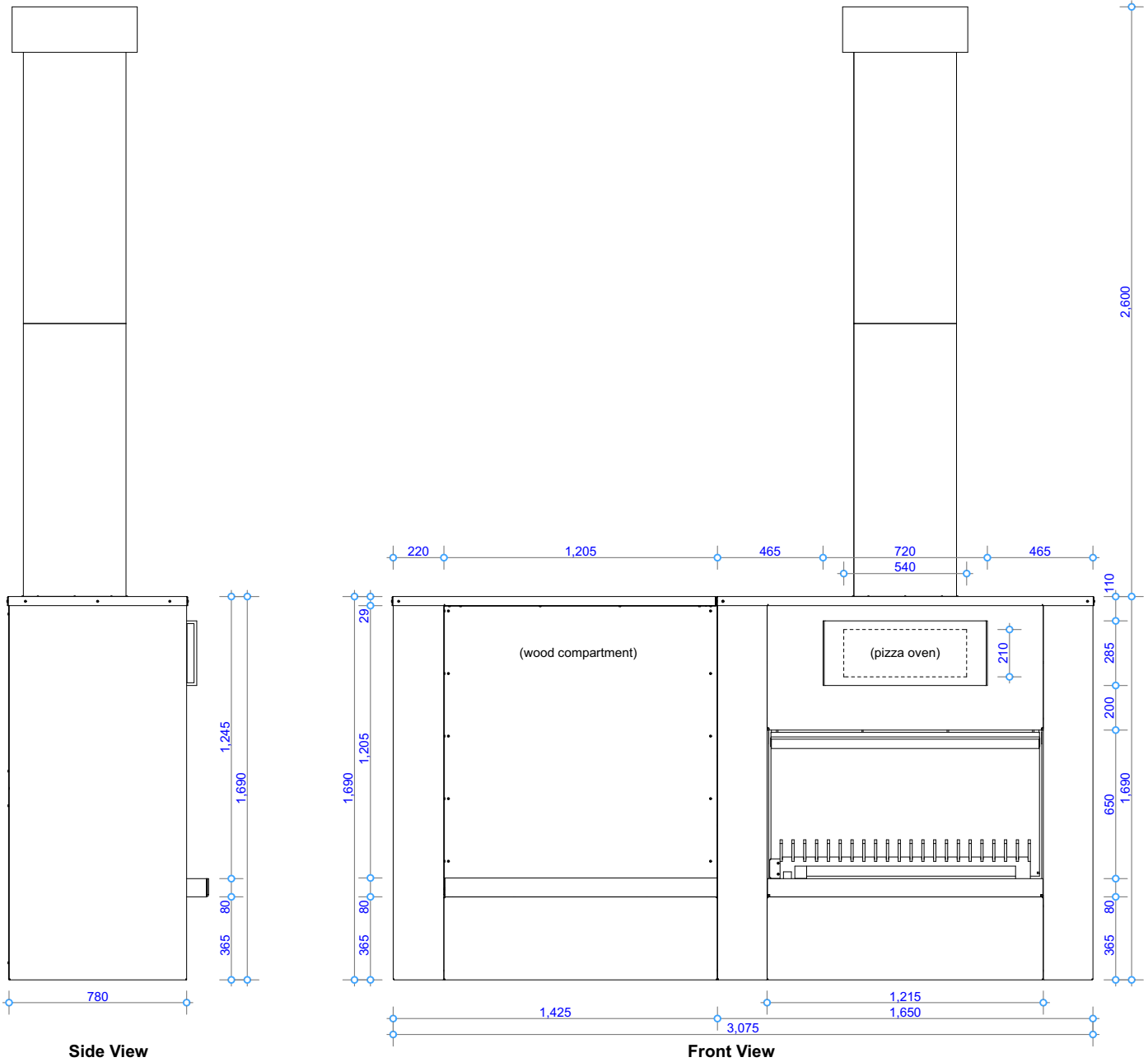




WD55

Specifications



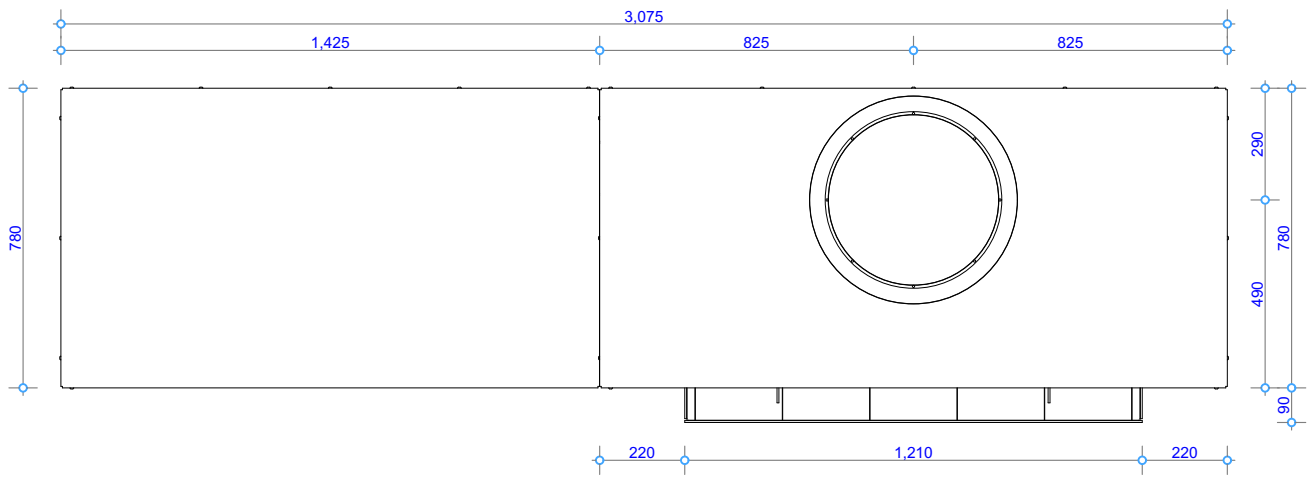
TOLERANCE = +/- 3mm

COPYRIGHT©
THIS DRAWING IS THE PROPERTY
OF The Fire Dept.

| | | |
|------------------------|------------------|-------|
| Client: THE FIRE DEPT. | | |
| Product: WD55-1600 | | |
| Title: FIRE DIMENSIONS | | |
| Drawn: SR | Date: 24/11/2017 | |
| Chkd: JW | Date: 24/11/2017 | |
| Appd: JW | Date: 24/11/2017 | |
| Scale: | | on A4 |

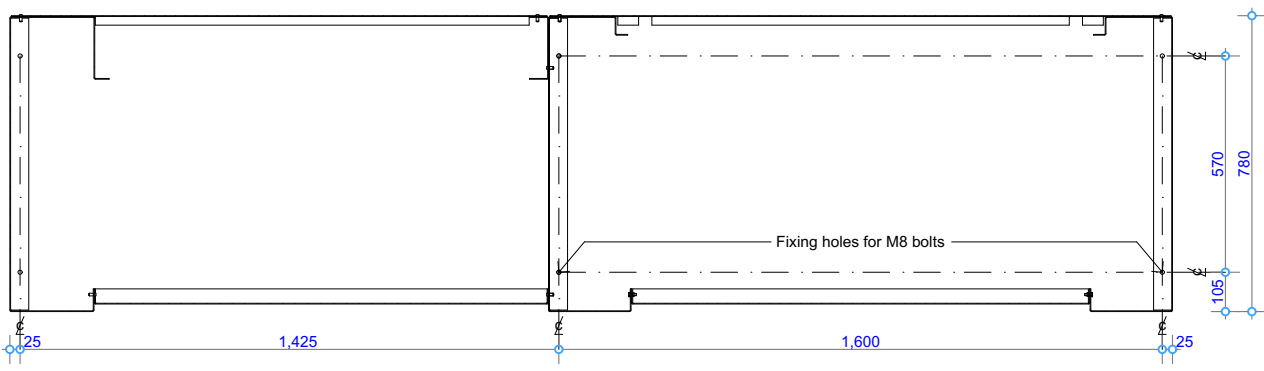


| | | | |
|-------------|----------------------|----------------|--|
| Drawing No. | WD55-1600-901 | Sheet 01 of 03 | Revision 0 |
|-------------|----------------------|----------------|--|

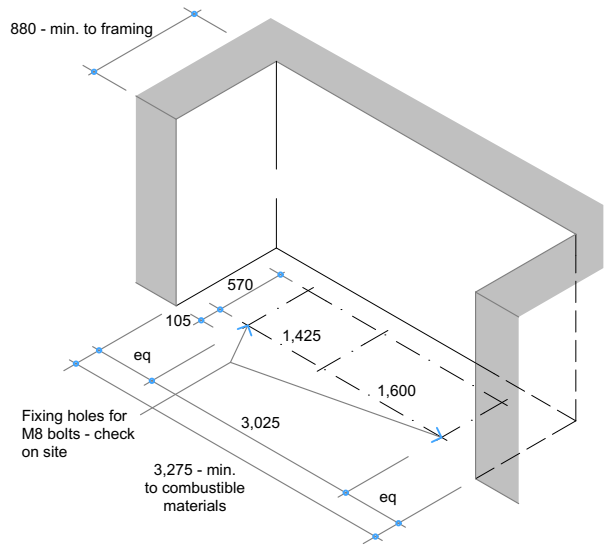


Plan View

TOLERANCE = +/- 3mm

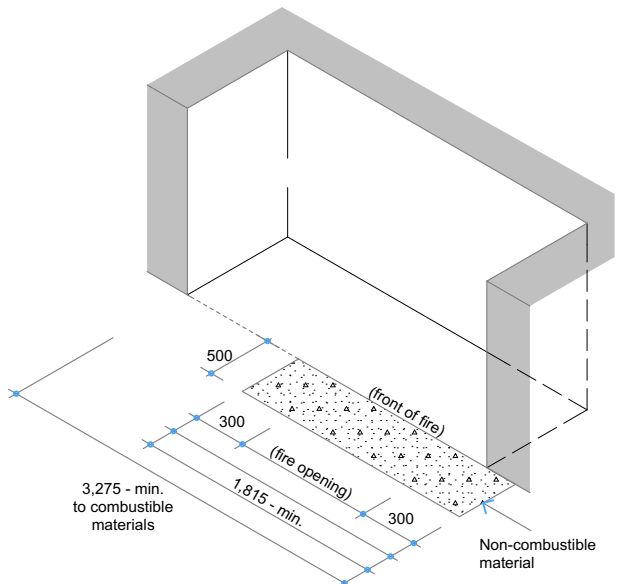


Fixing Set-out - Plan View



Fire Installation Requirements

NOTE: Confirm fixing holes and access on site prior to drilling. Fire place to be 100mm clear of combustible materials



Fire Installation - Hearth Size

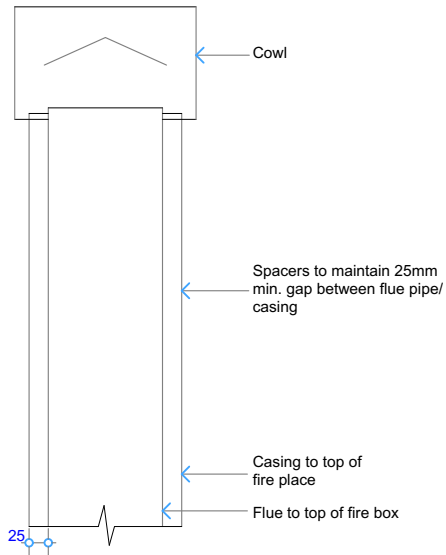
NOTE: Hearth to extend minimum of 300mm both sides of fire opening, and 500mm from front of fire opening

COPYRIGHT ©
 THIS DRAWING IS THE PROPERTY
 OF The Fire Dept.

| | | |
|--------------------------|------------------|--|
| Client: THE FIRE DEPT. | | |
| Product: WD55-1600 | | |
| Title: CAVITY CLEARANCES | | |
| Drawn: SR | Date: 24/11/2017 | |
| Chkd: JW | Date: 24/11/2017 | |
| Appd: JW | Date: 24/11/2017 | |
| Scale: on A4 | | |

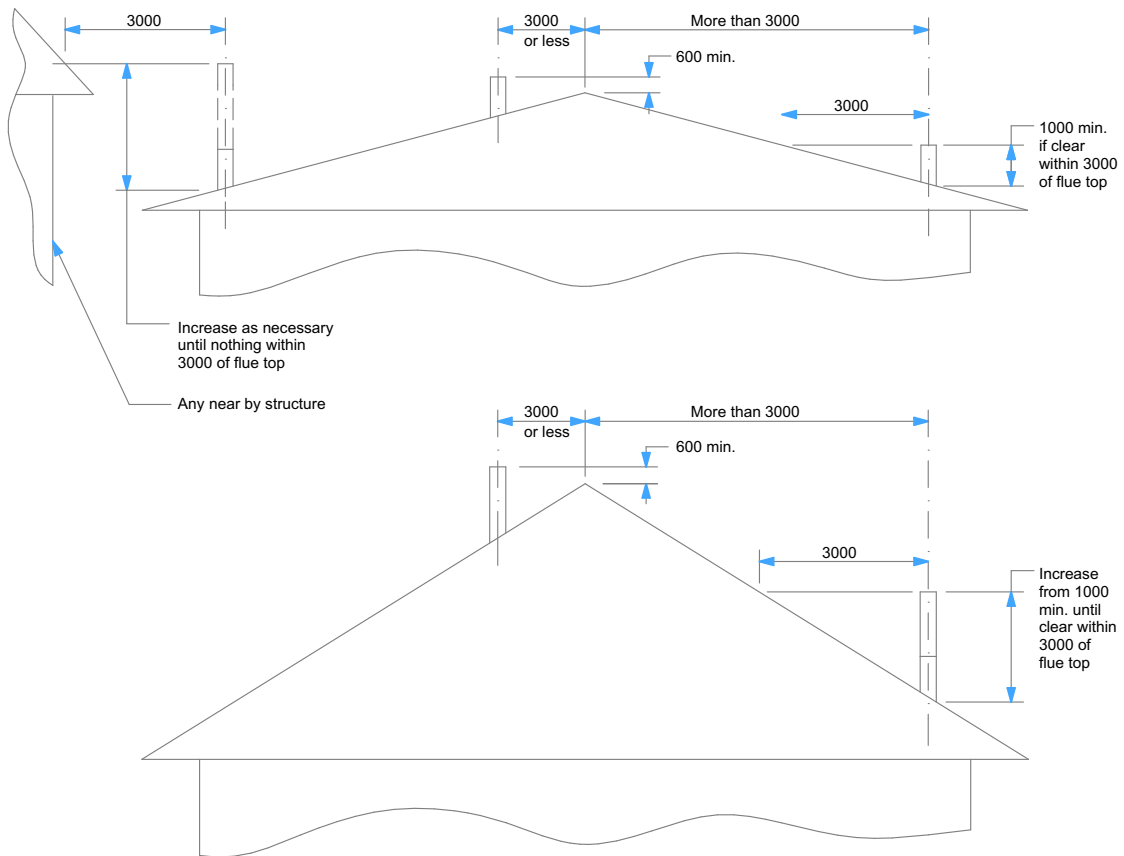


| | | | |
|-------------|----------------------|----------------|--|
| Drawing No. | WD55-1600-902 | Sheet 02 of 03 | Revision 0 |
|-------------|----------------------|----------------|--|



Detail - Chimney

Flue components:
400mm dia. Flue
450mm dia. Casing



Minimum Height of Flue
Or as per AS/NZS 2918

| | | | | |
|--|---------------------------------------|------------------|----------------|--|
| COPYRIGHT© THIS DRAWING IS THE PROPERTY OF The Fire Dept. | Client: THE FIRE DEPT. | | | |
| | Product: WD55-1600 | | | |
| | Title: FLUE EXIT DETAILS & CLEARANCES | | | |
| | Drawn: SR | Date: 24/11/2017 | | |
| | Chkd: JW | Date: 24/11/2017 | | |
| Appd: JW | Date: 24/11/2017 | | | |
| Drawing No. WD55-1600-903 | | Scale: on A4 | Sheet 03 of 03 | Revision 0 |