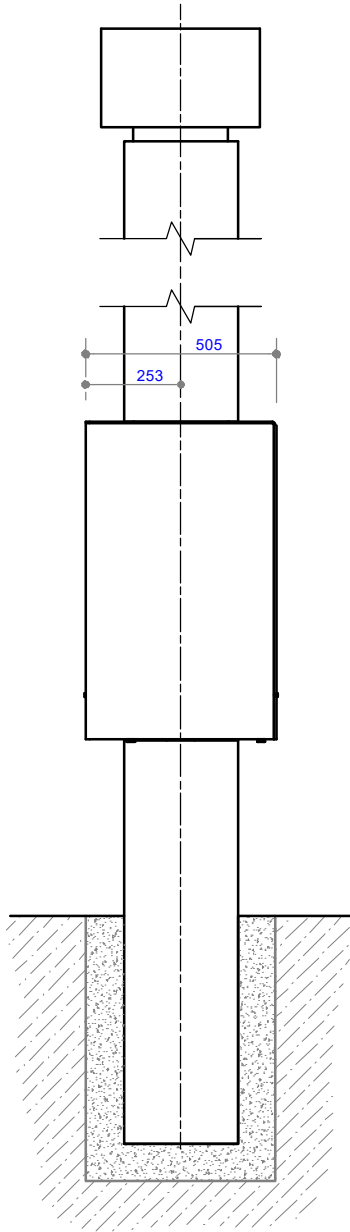
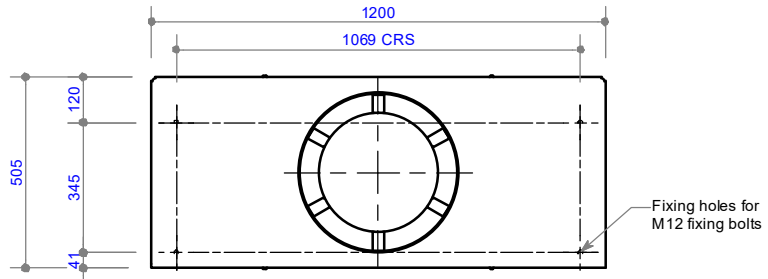




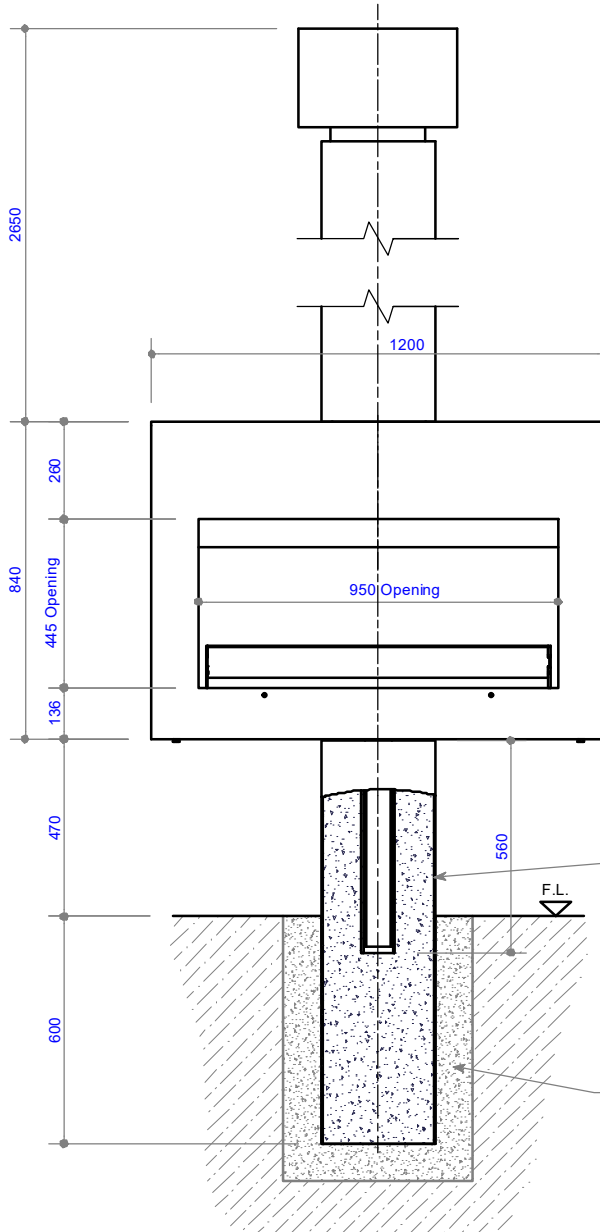
WD7

Specifications

Information in this specification may be subject to change without notice. Please ensure you have the current version before beginning installation.



Side View



Front view

TOLERANCE = +/- 3mm

NOTE: Spinning base optional.

100mm of concrete cover (Engineering required - by others)

COPYRIGHT©
THIS DRAWING IS THE PROPERTY
OF The Fire Dept.

Client: THE FIRE DEPT.

Product: WD7-1200

Title: FIRE DIMENSIONS

Drawn: J.SCHOEMAN

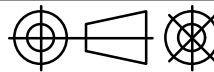
Date: 3/10/2018

Chkd: J. WILSON

Date: 3/10/2018

Appd: J. WILSON

Date: 3/10/2018



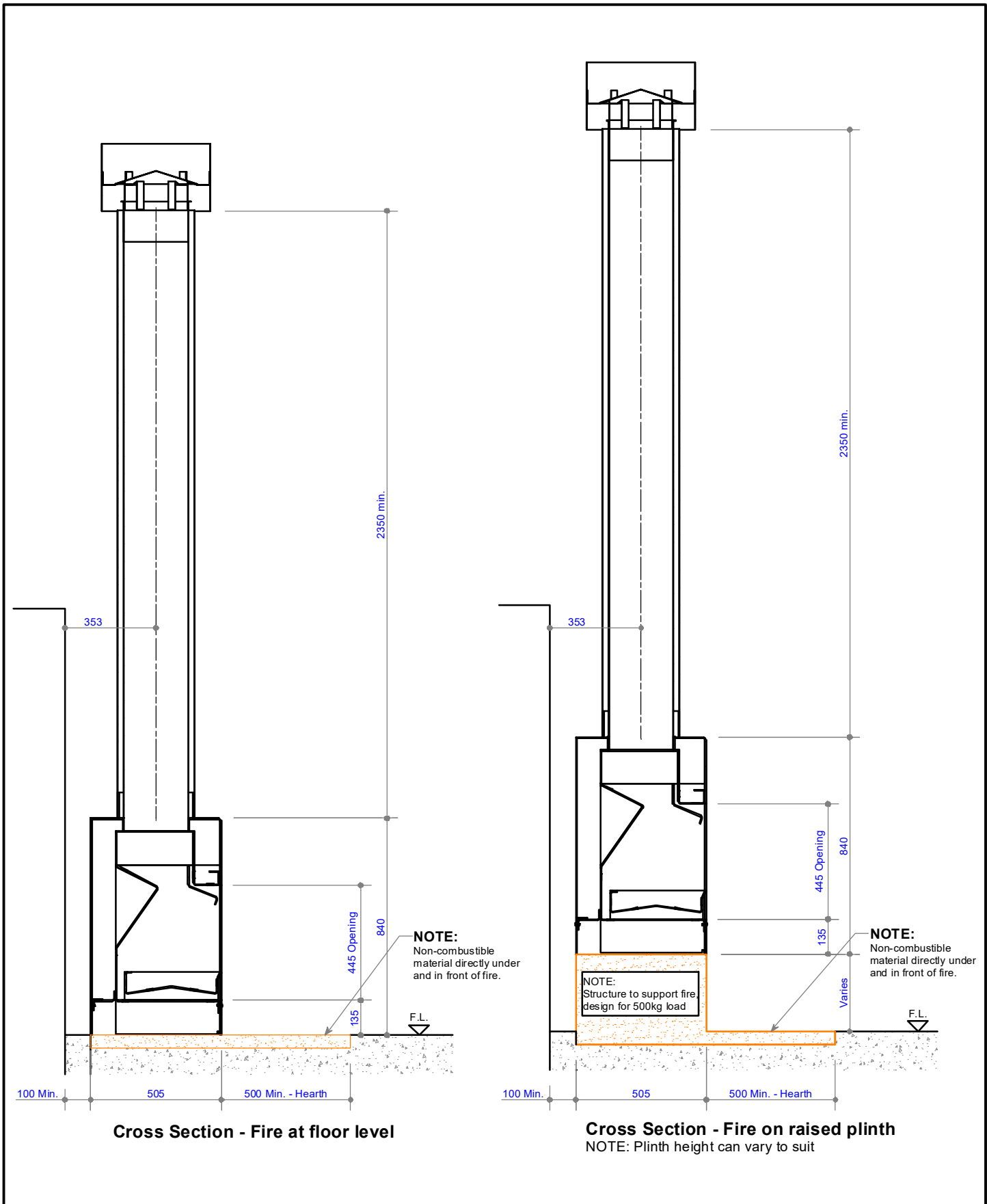
Scale: on A4



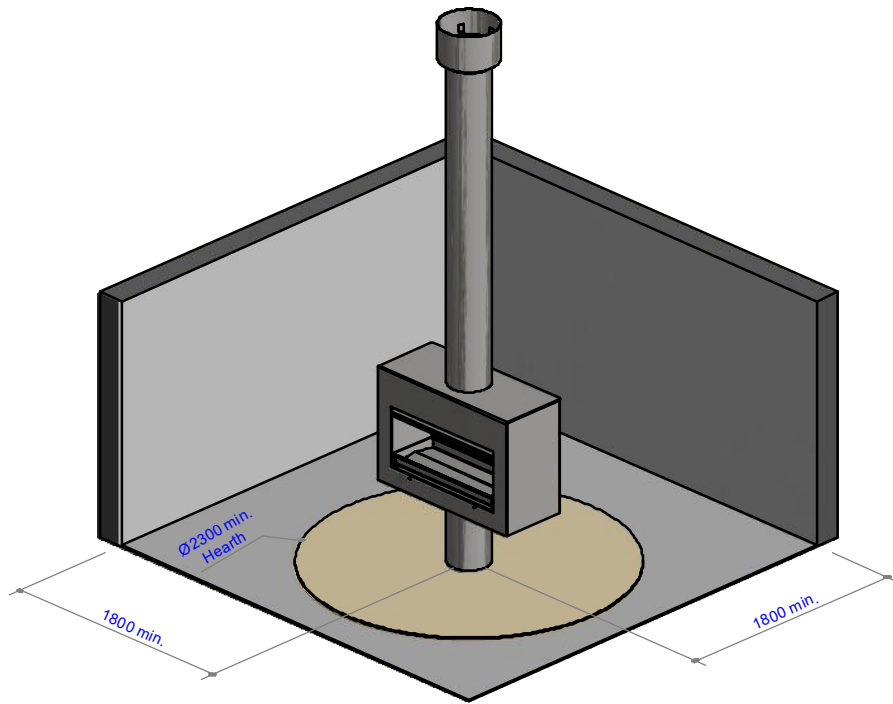
Drawing No. WD7-1200-901

Sheet 1 of 5

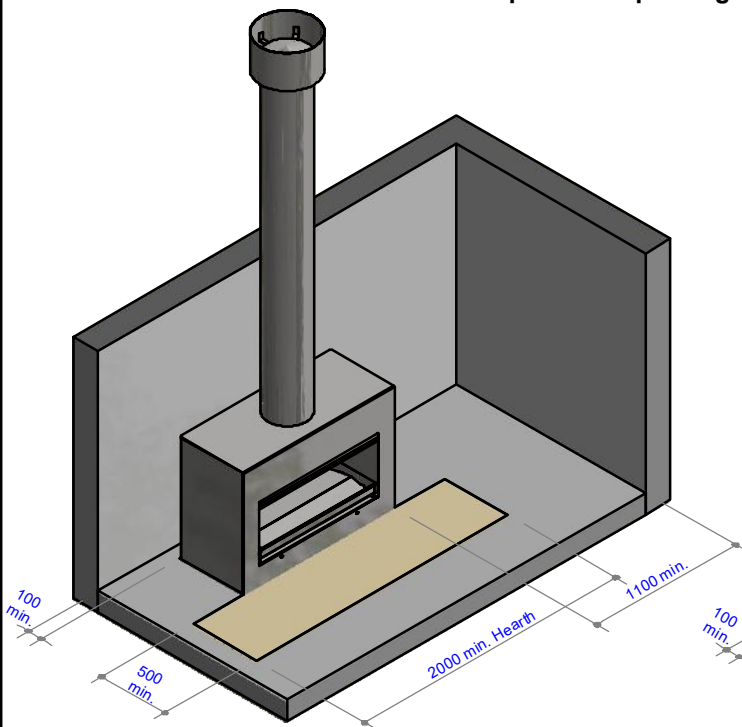
Revision 0



COPYRIGHT © THIS DRAWING IS THE PROPERTY OF The Fire Dept.	Client: THE FIRE DEPT.				THE FIRE DEPT. HAND CRAFTED FIRES			
	Product: WD7-1200							
	Title: CAVITY CLEARANCES							
	Drawn: J.SCHOEMAN	Date: 3/10/2018						
	Chkd: J. WILSON	Date: 3/10/2018						
Appd: J. WILSON	Date: 3/10/2018	Scale:	on A4					
Drawing No.	WD7-1200-902		Sheet	2	of	5	Revision	0

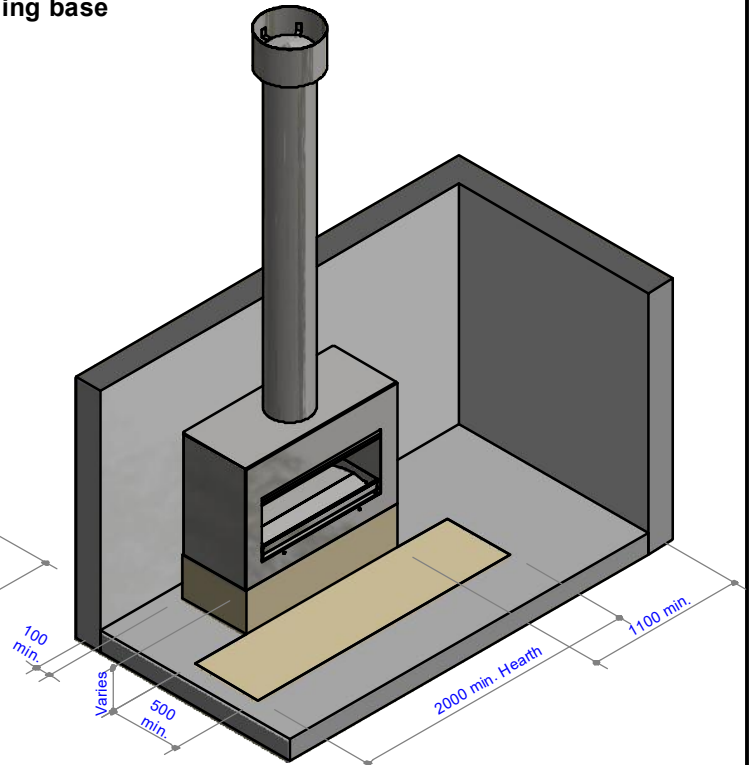


**Fire installation Requirements & Hearth size -
Option 1 - Spinning base**



**Fire installation Requirements & Hearth size -
Option 2 - Floor mounted**

NOTE: Hearth to extend minimum of 500mm both sides of the fire opening, and 500mm from front of fire opening.



**Fire installation Requirements & Hearth size -
Option 3 - Raised base**

NOTE: Hearth to extend minimum of 500mm both sides of the fire opening, and 500mm from front of fire opening.

COPYRIGHT ©
 THIS DRAWING IS THE PROPERTY
 OF **The Fire Dept.**

Client: THE FIRE DEPT.

Product: WD7-1200

Title: FIRE INSTALLATION REQUIREMENTS & HEARTH SIZES

Drawn: J.SCHOEMAN

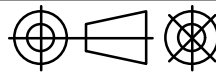
Date: 3/10/2018

Chkd: J. WILSON

Date: 3/10/2018

Appd: J. WILSON

Date: 3/10/2018



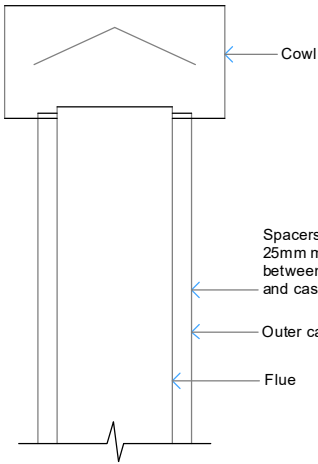
Scale: on A4

THE FIRE DEPT.
HAND CRAFTED FIRES

Drawing No. **WD7-1200-903**

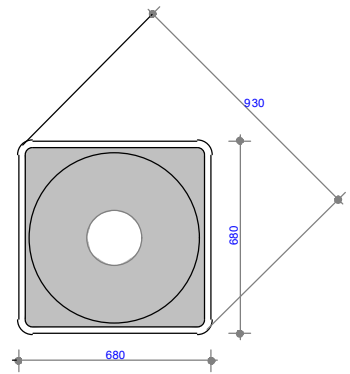
Sheet 3 of 5

Revision **0**



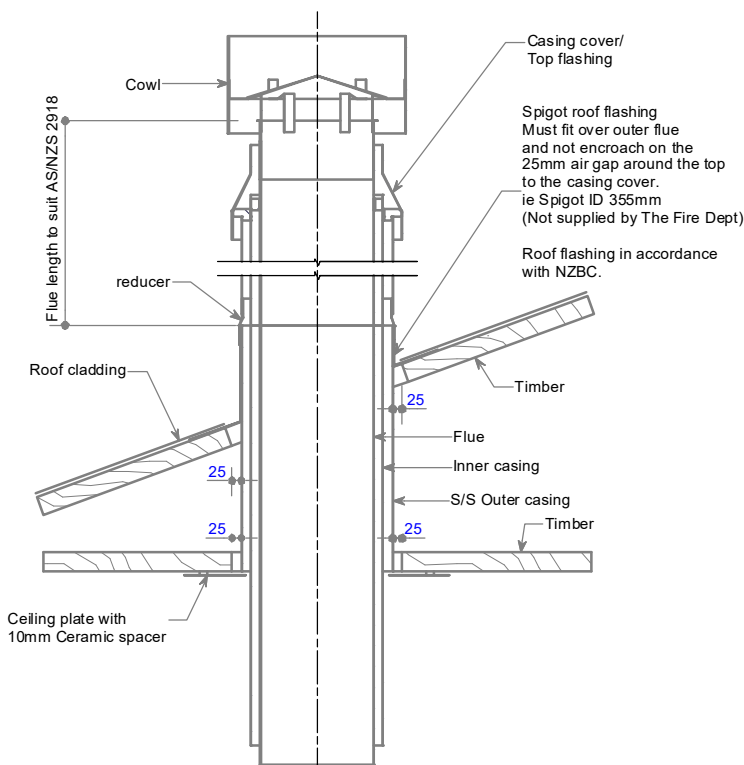
Flue components:
250mm dia. Flue
300mm dia. S/S Outer casing

NOTE:
Flue components must be installed to AS/NZS2918:2001 requirements.
All external penetration flashings must be installed in accordance with NZBC.
Cavity airflow must be unobstructed from fire box to flue termination.
75mm clearance between flue and combustible materials.
125mm clearance between flue and wiring / plastic water pipes.
Each flue joint must be sealed with a heat proof sealer.
Each flue joint must have a minimum of 4 x Stainless Steel rivets.

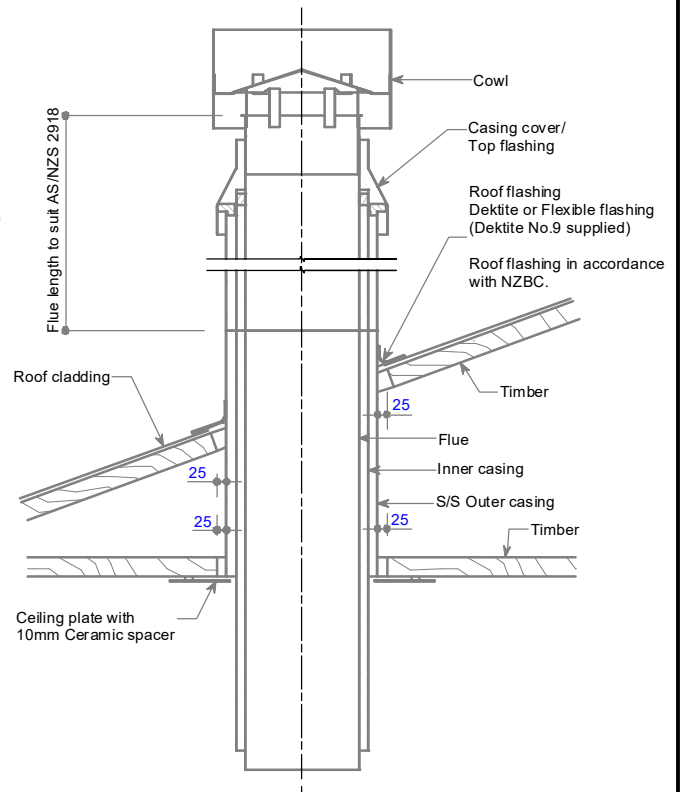


Dekтите Flashing No. 9 - Plan View

**Option 1 - Free standing fire flue detail -
Air Ventilation through Casing cover / Top flashing**



**Option 2 - Roof penetration flue detail - (Spigot)
Air Ventilation through Casing cover / Top flashing**



**Option 3 - Roof penetration flue detail - (Dekтите / Flashing)
Air Ventilation through Casing cover / Top flashing**

Flue components:
250mm dia. Flue
300mm dia. Inner casing
350mm dia. S/S Outer casing
360mm dia ID to 345mm dia OD reducer

NOTE:
Flue components must be installed to AS/NZS2918:2001 requirements.
All external penetration flashings must be installed in accordance with NZBC.
Cavity airflow must be unobstructed from fire box to flue termination.
25mm clearance between flue and combustible materials.
75mm clearance between flue and wiring / plastic water pipes.
Each flue joint must be sealed with a heat proof sealer.
Each flue joint must have a minimum of 4 x Stainless Steel rivets.
Flue to be adequately supported at 2m crs.

Flue components:
250mm dia. Flue
300mm dia. Inner casing
350mm dia. S/S Outer casing
Dekтите No.9

COPYRIGHT ©
THIS DRAWING IS THE PROPERTY
OF The Fire Dept.

Client: THE FIRE DEPT.

Product: WD7-1200

Title: FLUE EXIT DETAILS

Drawn: J.SCHOEMAN

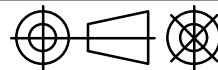
Date: 3/10/2018

Chkd: J. WILSON

Date: 3/10/2018

Appd: J. WILSON

Date: 3/10/2018



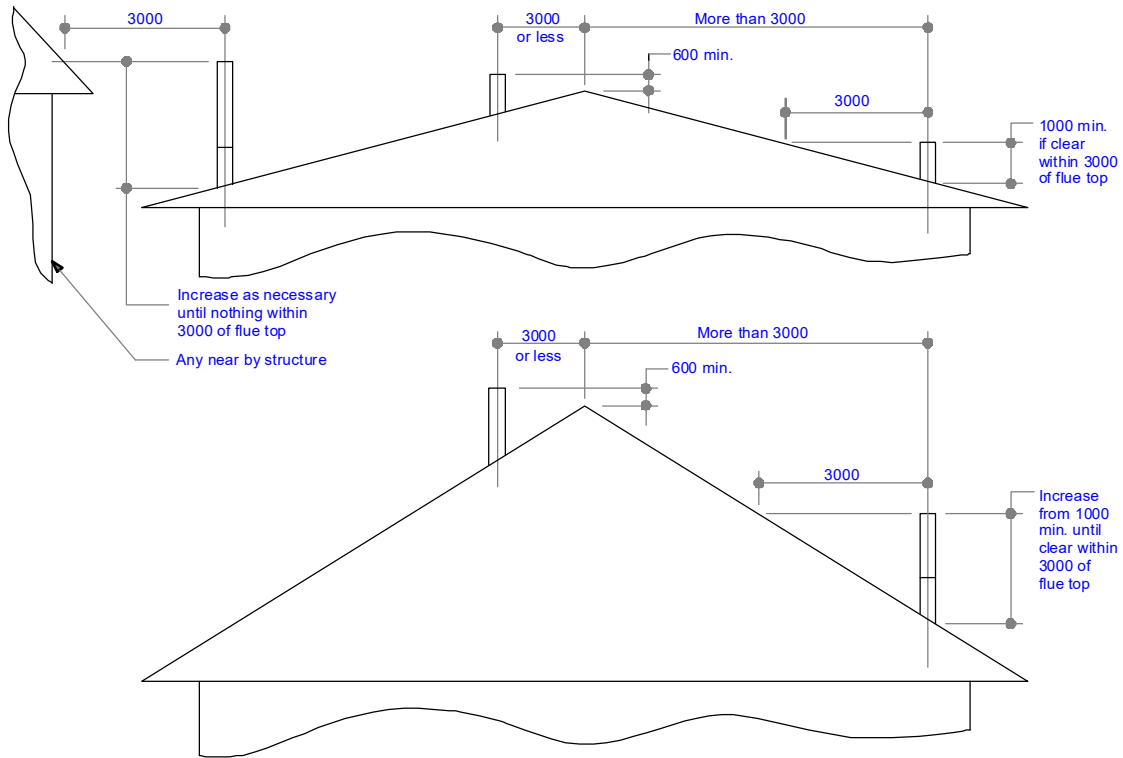
Scale: on A4



Drawing No. **WD7-1200-904**

Sheet 4 of 5

Revision **0**



Minimum Height of Flue System Exit
Or as per AS/NZS 2918:2001

COPYRIGHT ©
 THIS DRAWING IS THE PROPERTY
 OF **The Fire Dept.**

Client: THE FIRE DEPT.

Product: WD7-1200

Title: FLUE EXIT CLEARANCES

Drawn: J.SCHOEMAN

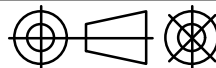
Date: 3/10/2018

Chkd: J. WILSON

Date: 3/10/2018

Appd: J. WILSON

Date: 3/10/2018



Scale: on A4



Drawing No. **WD7-1200-905**

Sheet 5 of 5

Revision 0