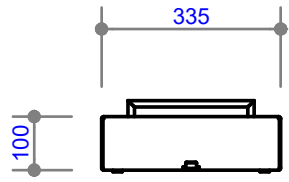


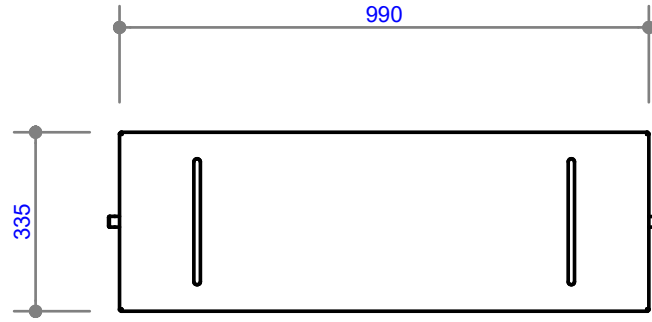


GD10-1200

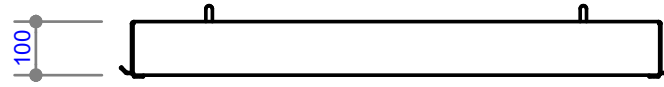
Specifications



Side view - Cover

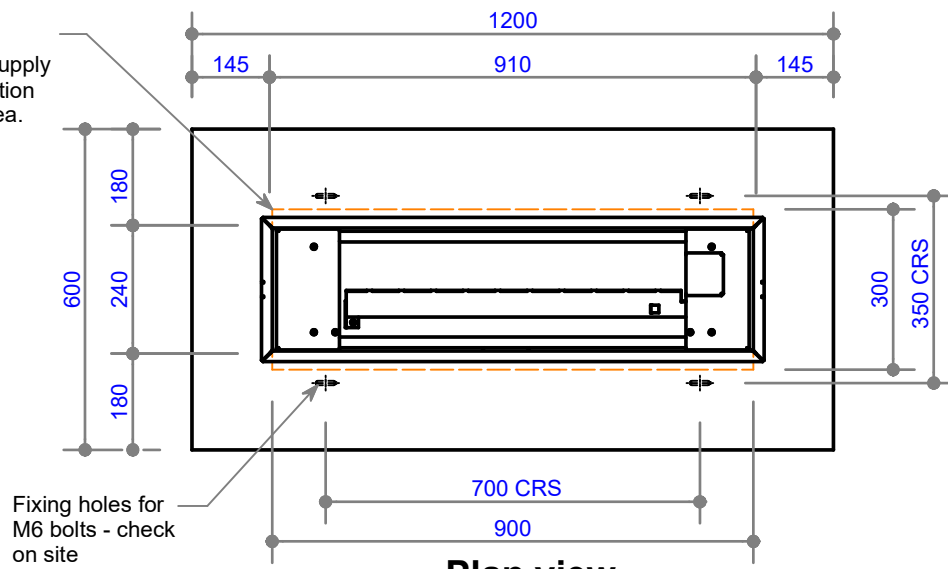


Plan view - Cover

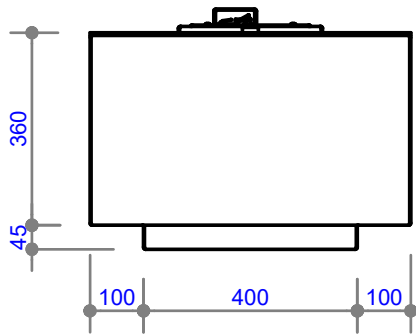


Front view - Cover

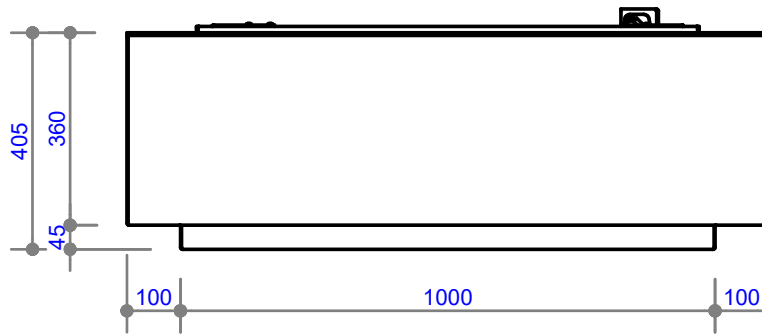
NOTE:
Gas and power supply
from below. Location
within marked area.



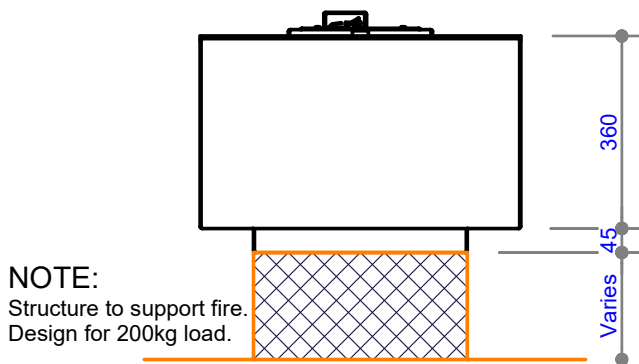
Plan view



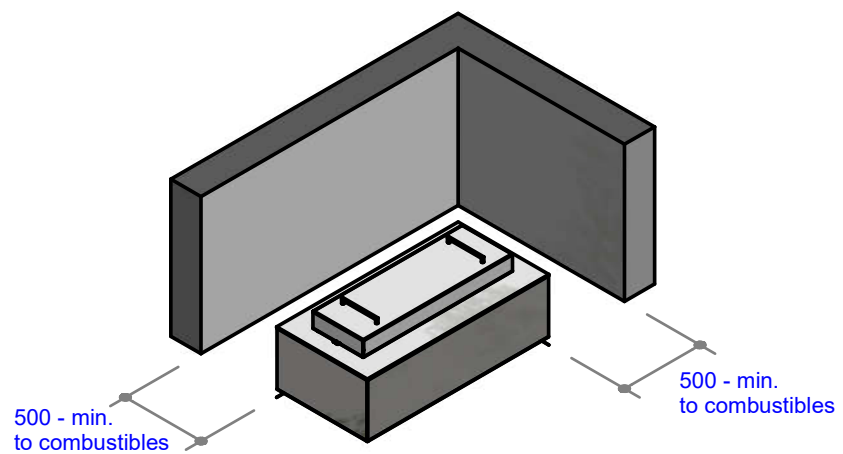
Side view



Front view



NOTE:
Structure to support fire.
Design for 200kg load.



Fire installation - Trim sizes

NOTE: Confirm fixing holes on site prior to drilling

COPYRIGHT©
 THIS DRAWING IS THE PROPERTY
 OF The Fire Dept.

Client: THE FIRE DEPT.

Product: GD10-1200

Title: BURNER TABLE DIMENSIONS & CAVITY CLEARANCES

Drawn: J.SCHOEMAN

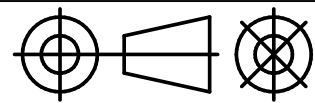
Date: 20/09/2018

Chkd: J. WILSON

Date: 20/09/2018

Appd: J. WILSON

Date: 20/09/2018



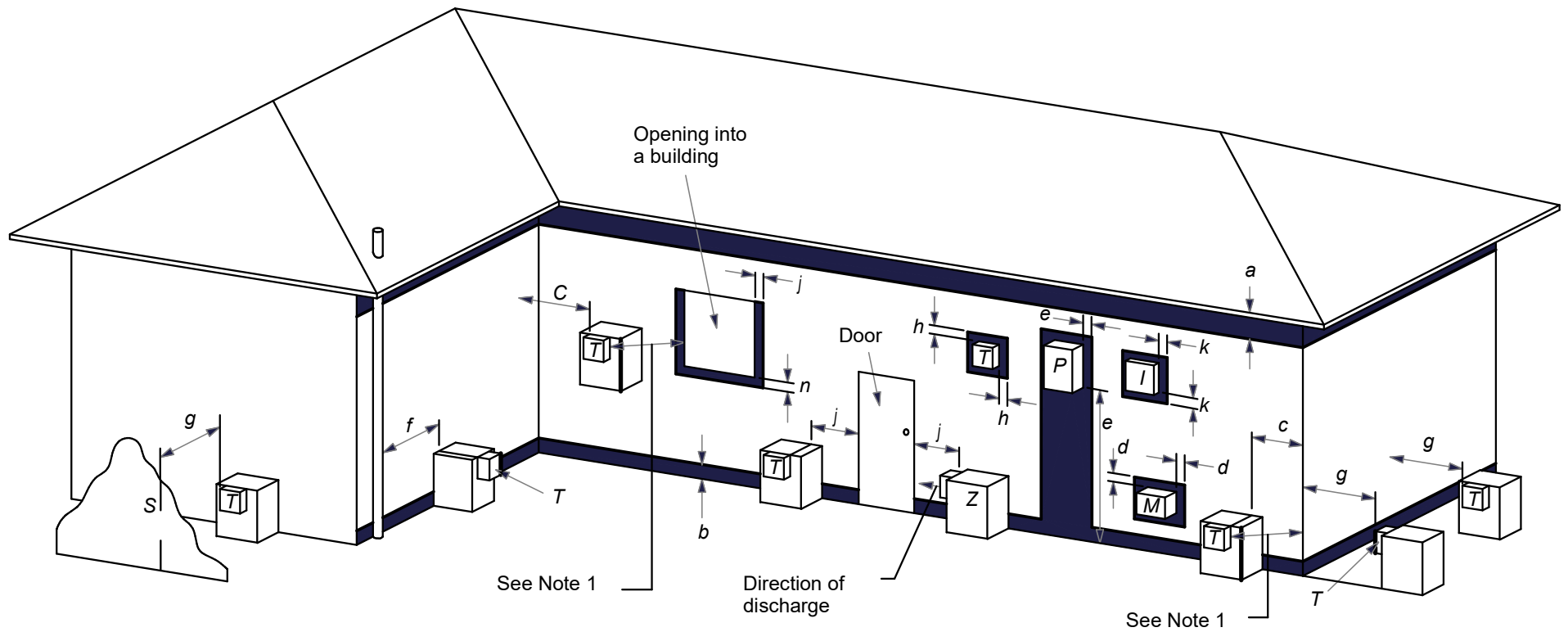
Scale: on A4



Drawing No. **GD10-1200-901**

Sheet 1 of 2

Revision **2**



LEGEND:
 I = Mechanical air inlet
 M = Gas meter
 P = Electricity meter or fuse box
 S = Structure
 T = Flue terminal
 Z = Fan-assisted appliance only

a = 200 g = 500
 b = 300 h = 300
 c = 300 j = 300 (at window) & 1500
 (fan-assisted appliance by the door)
 d = 1000 k = 1000
 e = 500 n = 500
 f = 75

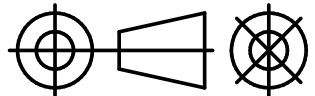
NOTES:
 1 Where dimensions c, j or k cannot be achieved an equivalent horizontal distance measured diagonally from the nearest discharge point of the terminal to the opening may be deemed by the Technical Regulator to comply.

Shading indicates prohibited area for flue terminals

Location of Flue Terminals of Balanced Flue, Room-Sealed, Fan-Assisted or Outdoor Appliances

NOTE: To be read in conjunction with AS/NZS 5601.1:2013

COPYRIGHT©
 THIS DRAWING IS THE PROPERTY
 OF The Fire Dept.

Client: THE FIRE DEPT.		
Product: GD10-1200		
Title: FLUE EXIT CLEARANCES		
Drawn: J.SCHOEMAN	Date: 20/09/2018	
Chkd: J. WILSON	Date: 20/09/2018	
Appd: J. WILSON	Date: 20/09/2018	
Scale:		on A4



Drawing No. GD10-2000-902	Sheet 2 of 2	Revision 2
----------------------------------	--------------	-------------------