



WD1 Open Front (Timber Cavity)

**Installation Guide
Operating Instructions
Warranty**

WD1 Open Front (Timber Cavity) Installation Guide, Operating Instructions & Warranty

IMPORTANT!

This wood appliance must be installed to **AS/NZS 2918:2001** by a qualified person and in accordance with these instructions. Failure to install the appliance correctly will void your warranty and may cause a fire. This appliance should not be modified under any circumstances.

It is recommended that you have this appliance serviced annually by a qualified technician.

Warranty repairs must be carried out by a 'The Fire Dept.' authorised technician.

This appliance must ALWAYS terminate/flue outdoors.

Young children, elderly or infirm should be supervised to ensure that they are careful with the appliance.

Clothing and other flammable materials should never be placed near the appliance.

Please note that parts (near the flame) of this appliance become extremely hot during operation and can result in serious injury and burns if touched. It is therefore recommended that a fireguard complying with BS 8423:2002 is used in the presence of young children, the elderly or infirm.

This installation guide must be read in conjunction with the technical specifications for this appliance. If an optional log ignitor is being used, it must be installed in accordance with the relevant log ignitor installation guide.

The WD1 installation process consists of 12 steps

	Page
Step 1: Ensure all components are correct and undamaged	3
Step 2: Pre-installation checklist	4
Step 3: Assemble steel support frame	5
Step 4: Fit steel support frame into cavity	6
Step 5: Fix side and rear AAC panels to steel support frame	7
Step 6: Fit gather	9
Step 7: Fit flue	10
Step 8: Fit front AAC panels to steel support frame	11
Step 9: Fit internal front and rear panels inside gather	12
Step 10: Install fire bricks	13
Step 11: Place grate into fire brick cavity	14
Step 12: Show owner how to operate appliance	15
Operating Instructions	16
Troubleshooting	16
Warranty	17

Information in this installation guide may be subject to change without notice.
Please ensure you have the current version before beginning installation.

If you have any queries, please contact 'The Fire Dept.' on 0800 888 550



Step 1: Unpack and ensure all components are correct and undamaged

- Steel support frame components (flatpack).
- Gather.
- Internal front and rear panels.
- AAC panels.
- Grate.
- Cavity closer panel.
- Flue kit.
- Fire bricks.
- Log ignitor (optional).
- WD1 Open Front technical specification (to be read in conjunction with this installation guide)
- Appropriate log Ignitor installation guide, if optional log ignitor is being used.

Step 2: Pre-installation checklist

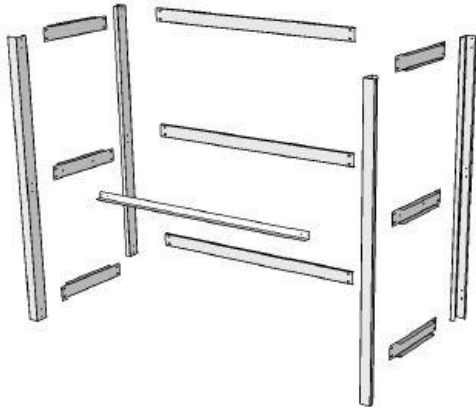
- Ensure cavity dimensions are correct – refer to technical specification.
- Ensure hearth dimensions are correct – refer to technical specifications.
- Plan flue path.
- If optional log ignitor is to be installed, check how gas and electricity supplies run to log ignitor.



The starting point: Timber frame with concrete hearth.

Step 3: Assemble steel support frame

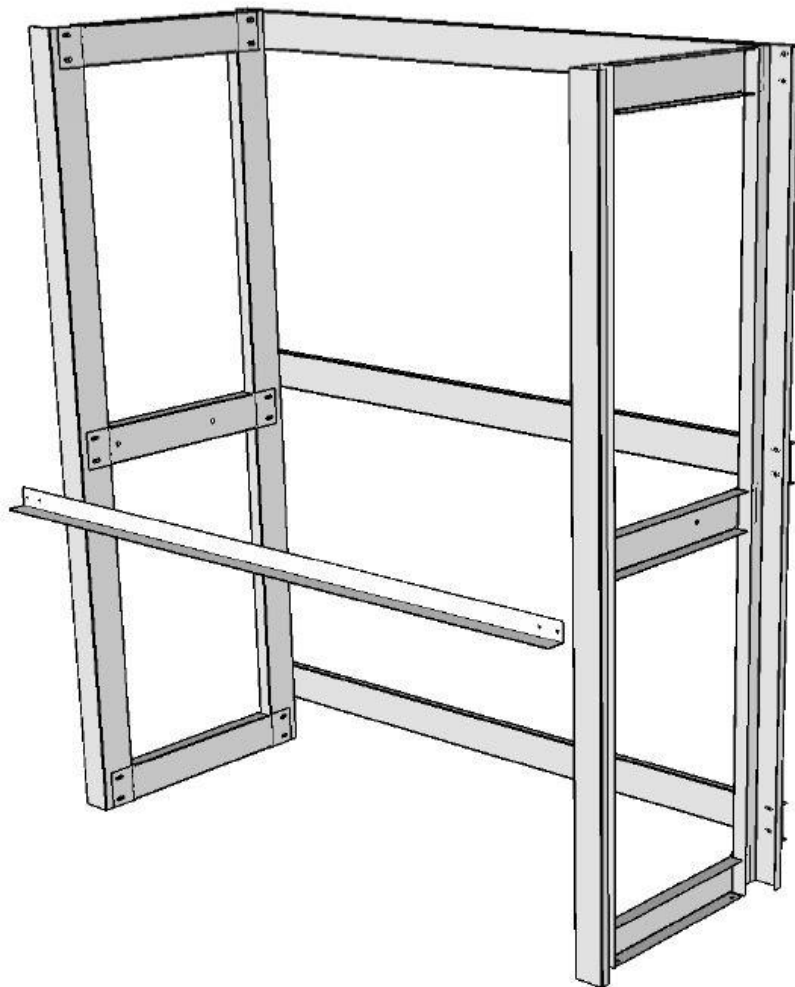
- 14 components, plus fasteners.



Steel support frame components.



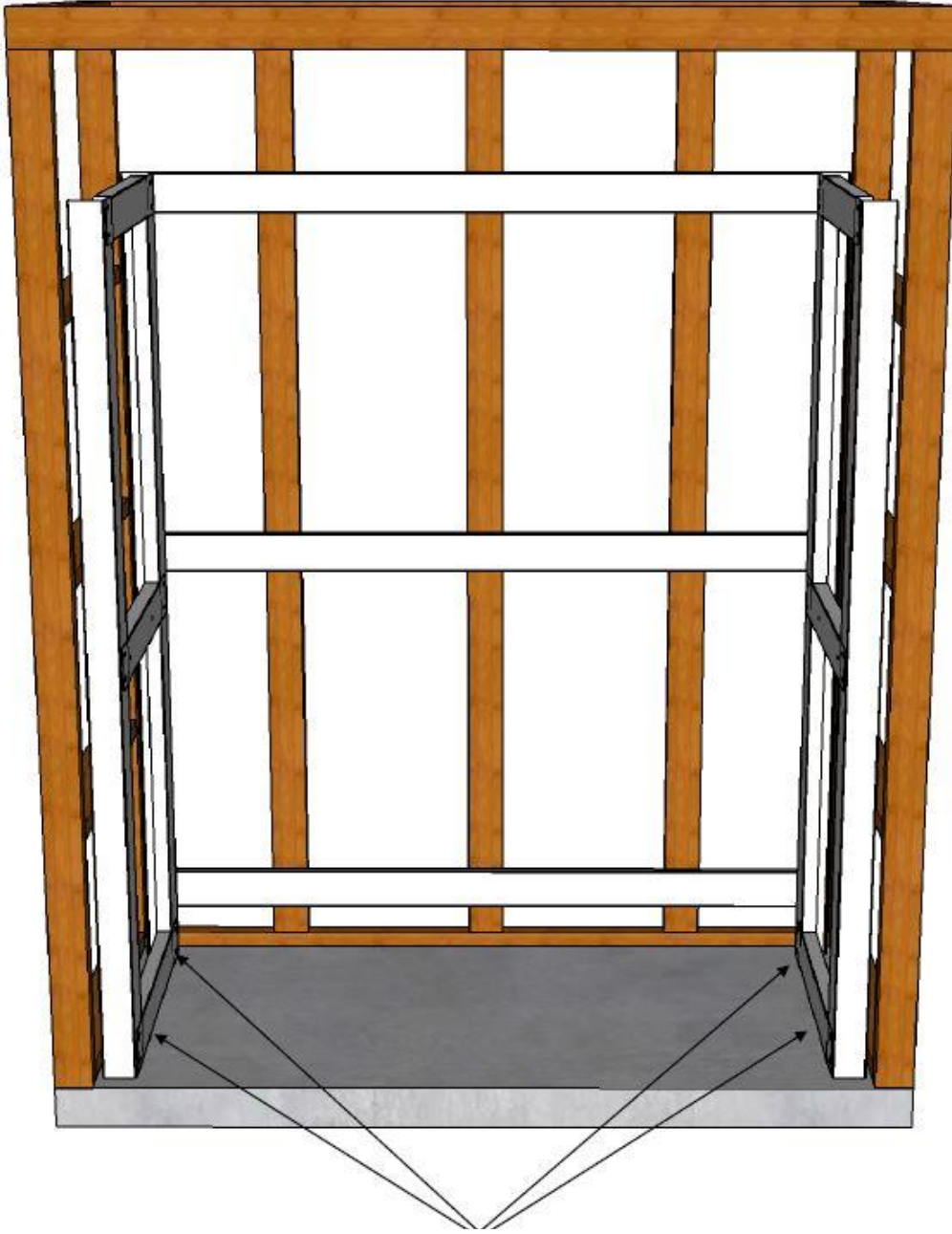
Steel support frame - view from above.



Assembled steel support frame.

Note: Lintel bar at front should not be fitted yet.

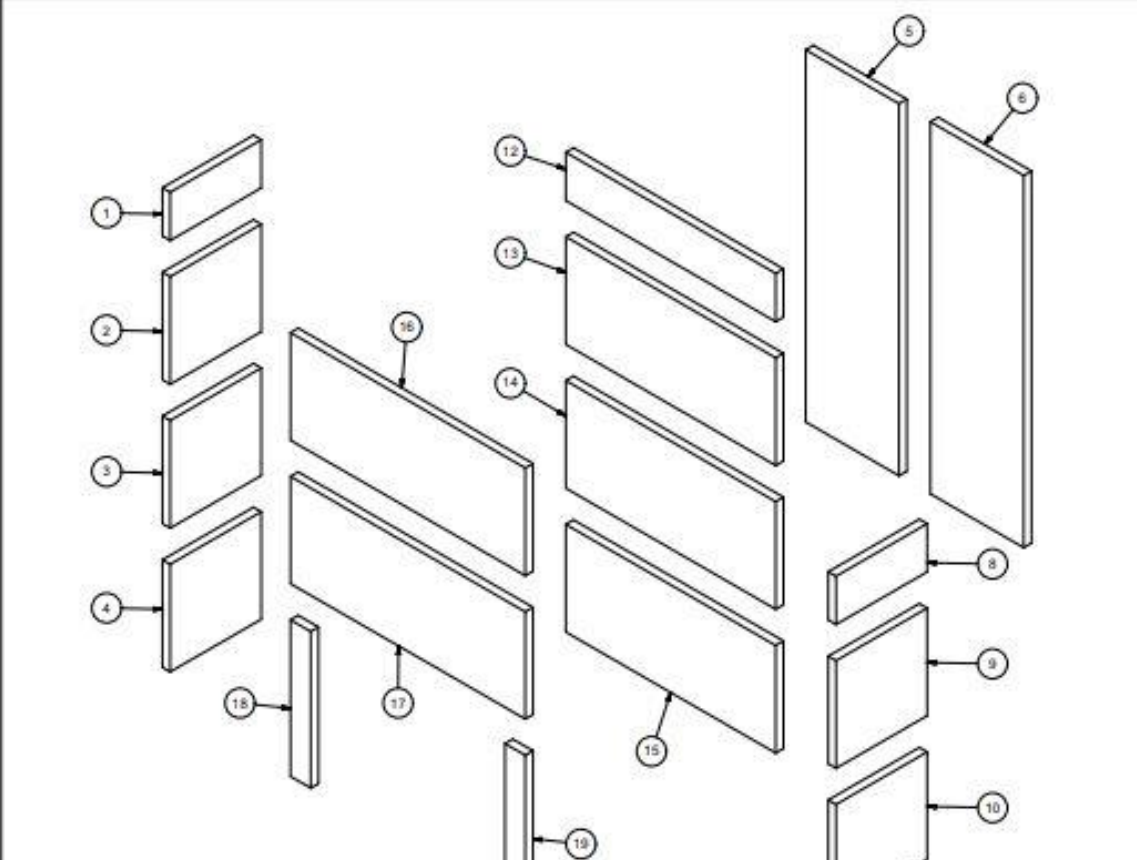
Step 4: Fit steel support frame into cavity



Drill 4 x 10mm holes through the steel support frame and bolt/screw into concrete base. 2x 8mm bolts/screws at each side.

Step 5: Fix side and rear AAC panels to steel support frame


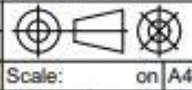
- Uncut AAC panels and cement supplied.
- Steel screws and wood screws supplied.
- All joints must be cemented.
- **IMPORTANT!** Refer to technical specification for latest version of cutting list.



Celcrete Panel - Cutting Plan

ITEM	QTY	DESCRIPTION	MEASUREMENT
1	1	Side panel 1	720mm x 275mm
2	1	Side panel 2	720mm x 600mm
3	1	Side panel 3	720mm x 600mm
4	1	Side panel 4	720mm x 600mm
5	1	Back panel 1	600mm x 2075mm
6	1	Back panel 2	450mm x 2075mm
7		Panel not required	
8	1	Side panel 5	720mm x 275mm
9	1	Side panel 6	720mm x 600mm
10	1	Side panel 7	720mm x 600mm
11	1	Side panel 8	720mm x 600mm
12	1	Back panel 4	275mm x 1050mm
13	1	Back panel 5	600mm x 1050mm
14	1	Back panel 6	600mm x 1050mm
15	1	Back panel 7	600mm x 1050mm
16	1	Front panel 1	600mm x 1310mm
17	1	Front panel 2	600mm x 1310mm
18	1	Front panel 3	130mm x 875mm
19	1	Front panel 4	130mm x 875mm

COPYRIGHT©
THIS DRAWING IS THE PROPERTY
OF The Fire Dept.

Client: THE FIRE DEPT.		
Product: WD1OF-800		
Title: CELCRETE CUTTING PLAN - TIMBER CAVITY		
Drawn: SR	Date: 31/05/2018	
Chkd: JW	Date: 31/05/2018	
Appd: JW	Date: 31/05/2018	
Drawing No. WD1OF-800-906	Sheet 06 of 14	Revision 4

1. Cut supplied AAC panels in accordance with technical specifications (example shown).



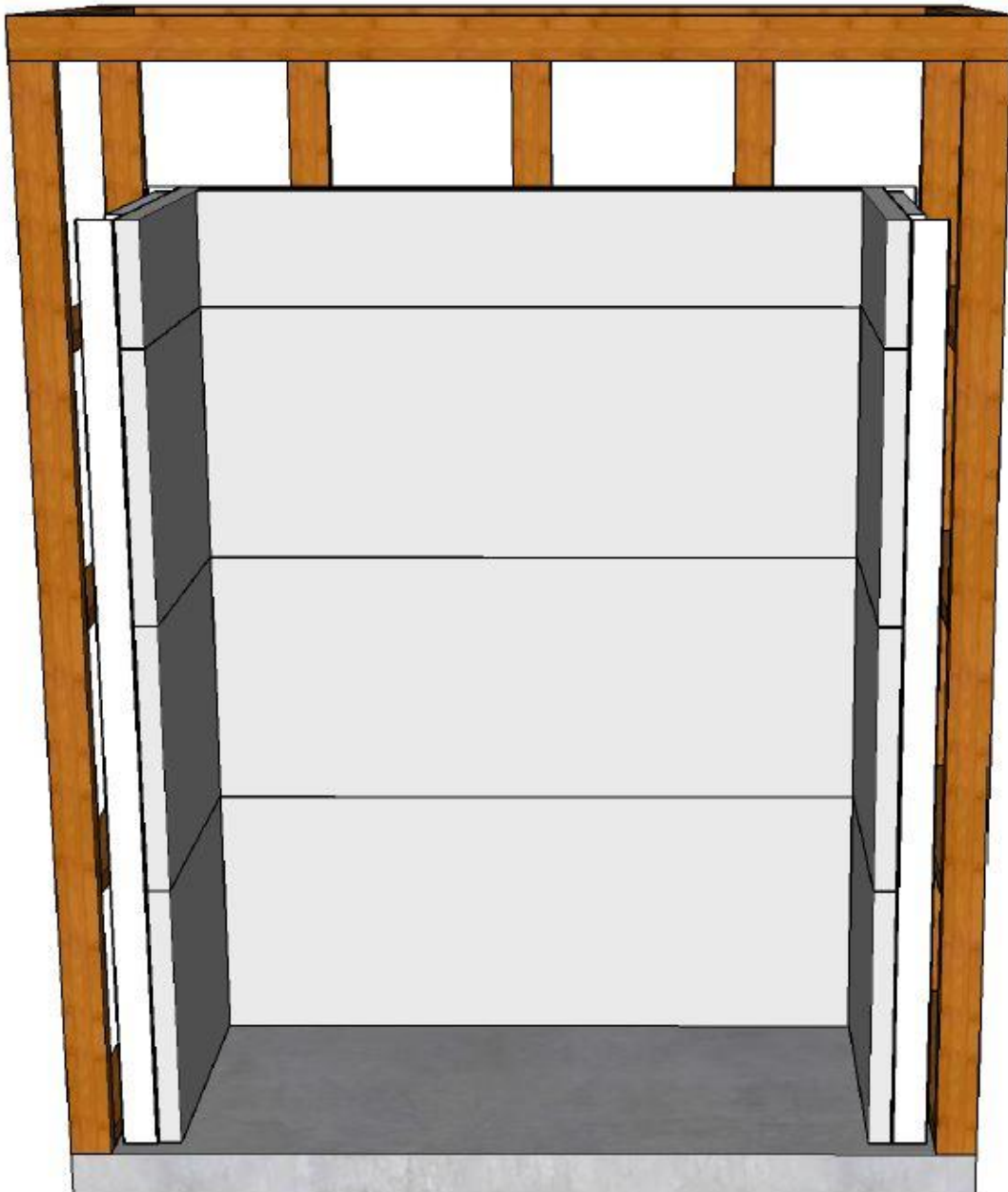
2. Fix sides horizontally to steel support frame. Countersink 4 x steel screws per panel



3. Fix first rear course vertically to steel support frame. Countersink 6 x steel screws per panel.



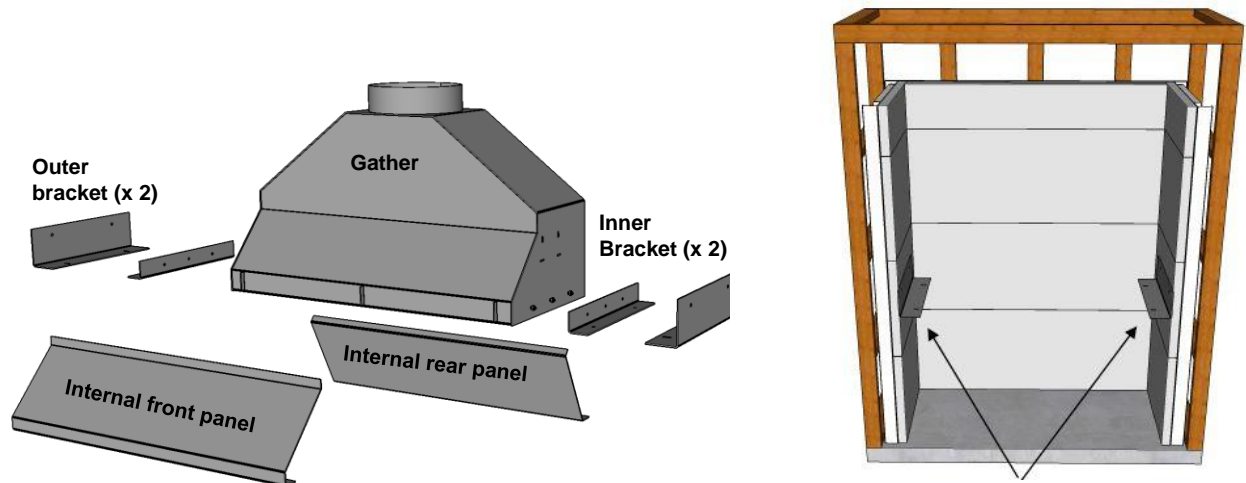
4. Fix second rear course horizontally to first vertical AACcourse. Countersink 6 x wood screws per panel.



Side and rear AAC panels complete.

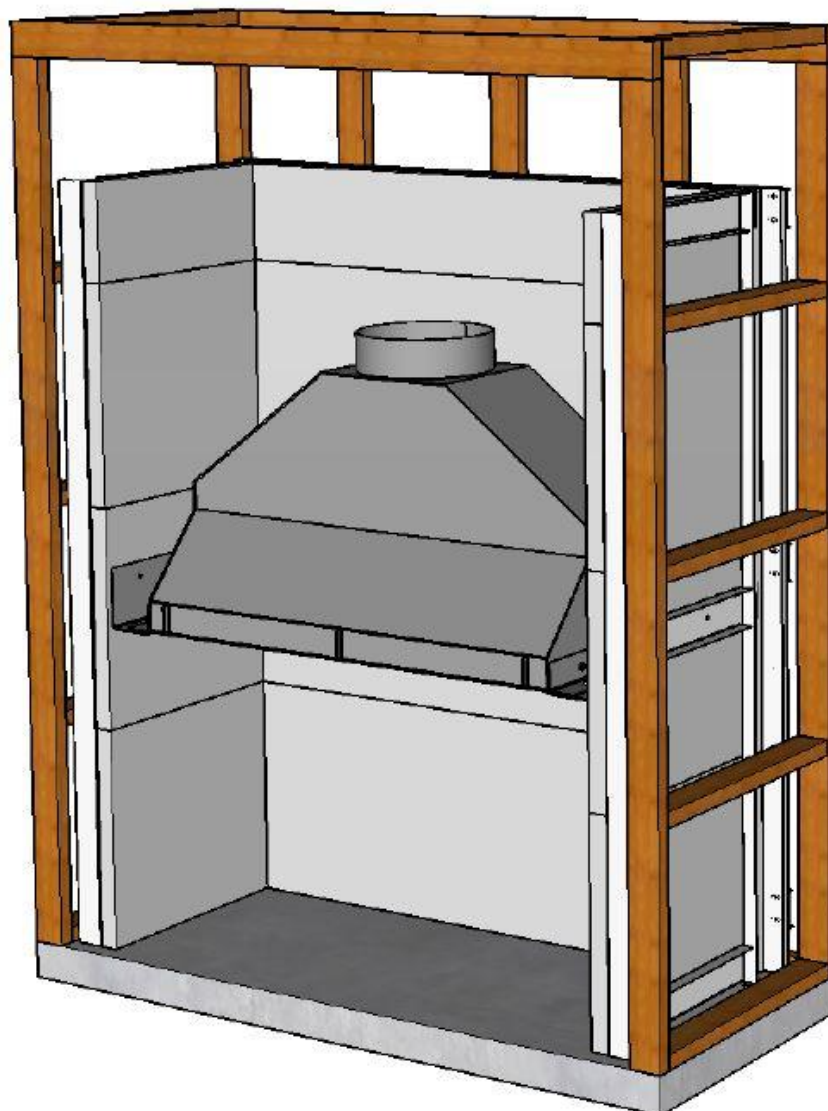
Step 6: Fit gather

- 7 components, plus fasteners.



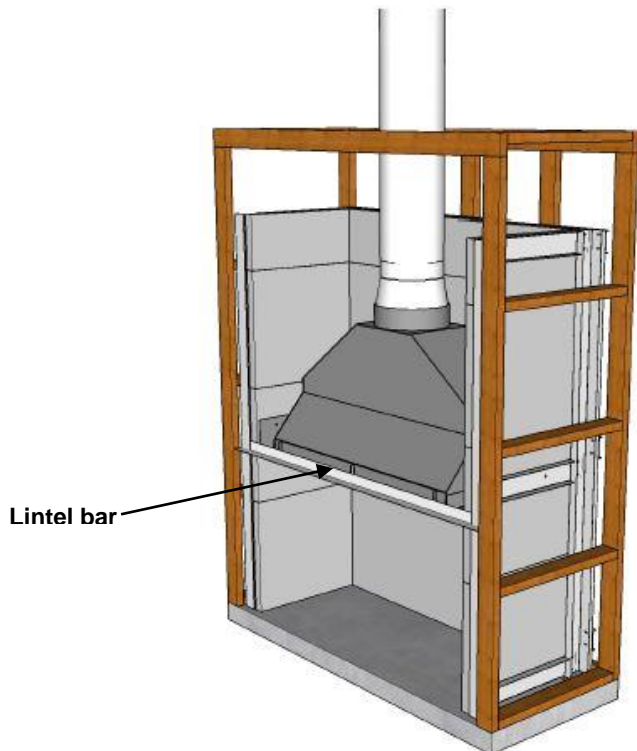
1. Remove outer brackets and internal front and rear panels.

2. Bolt outer brackets through AAC panels into steel support frame – 2 x bolts each side.

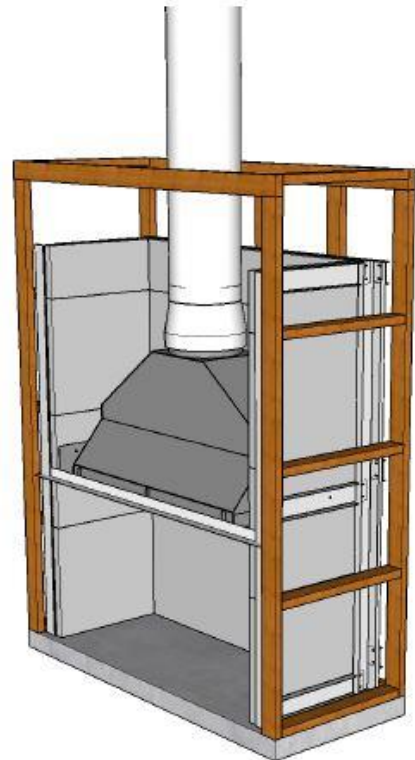


3. With a minimum of two people, fit gather onto outer brackets. 2 x bolts each side (into slots which allow adjustment).

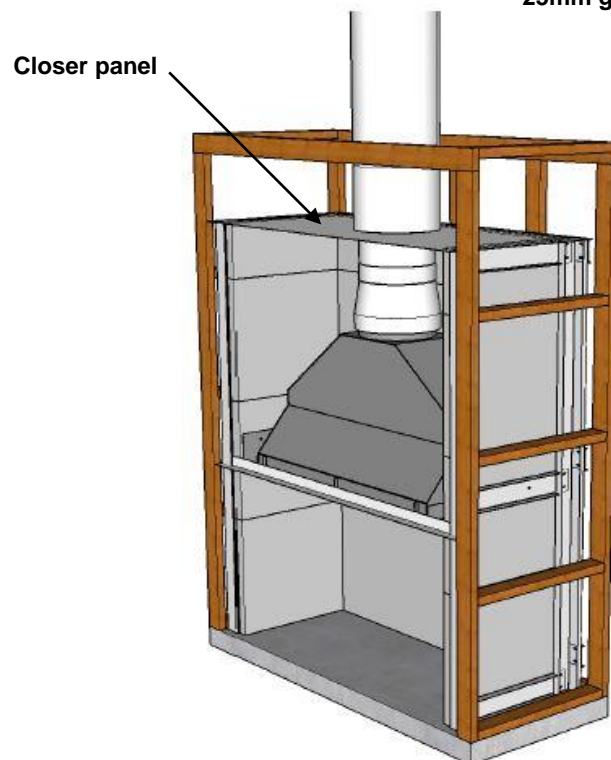
Step 7: Fit flue



1. Fit lintel bar then run the first section of flue and flue reducer onto gather.



2. Run the first section of inner casing and casing reducer onto gather. Ensure 25mm gap between casing reducer and gather.

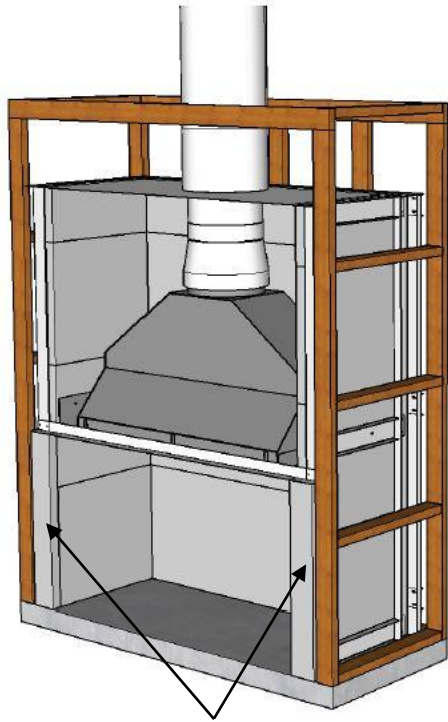


3. Fix the closer panel into position on top of the steel support frame. Then run the first section of the outer casing onto the closer panel.

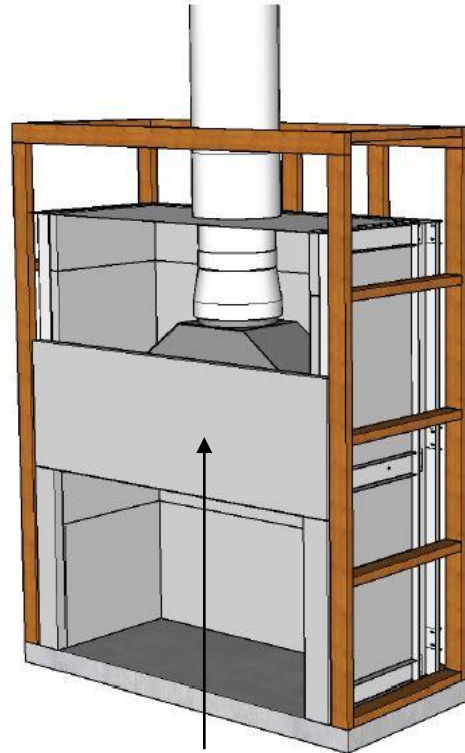
4. Complete the rest of the flue installation.

Step 8: Fit front AAC panels to steel support frame

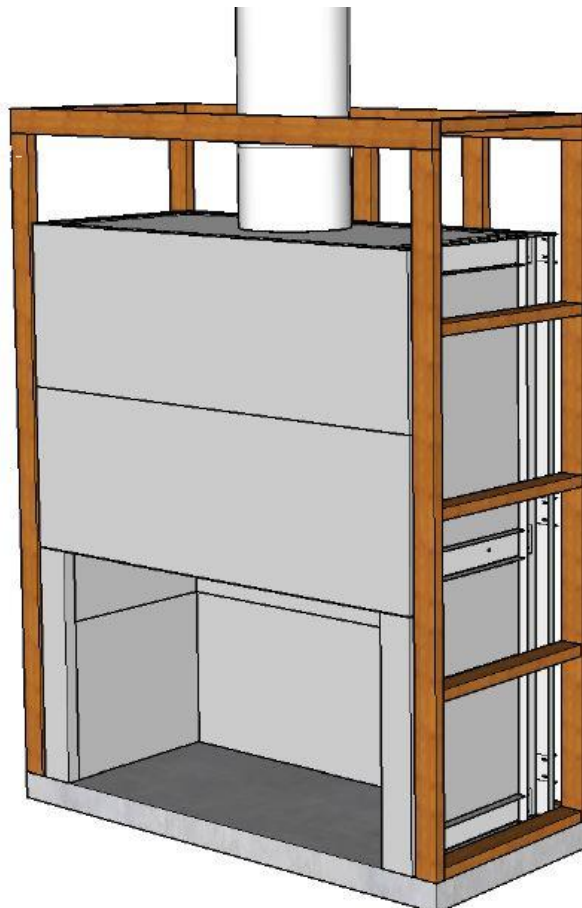
- Steel screws and wood screws supplied.
- All joints must be cemented.



1. Fix front vertical AAC panels onto previously fitted AAC side panels. 2 x wood screws per panel.

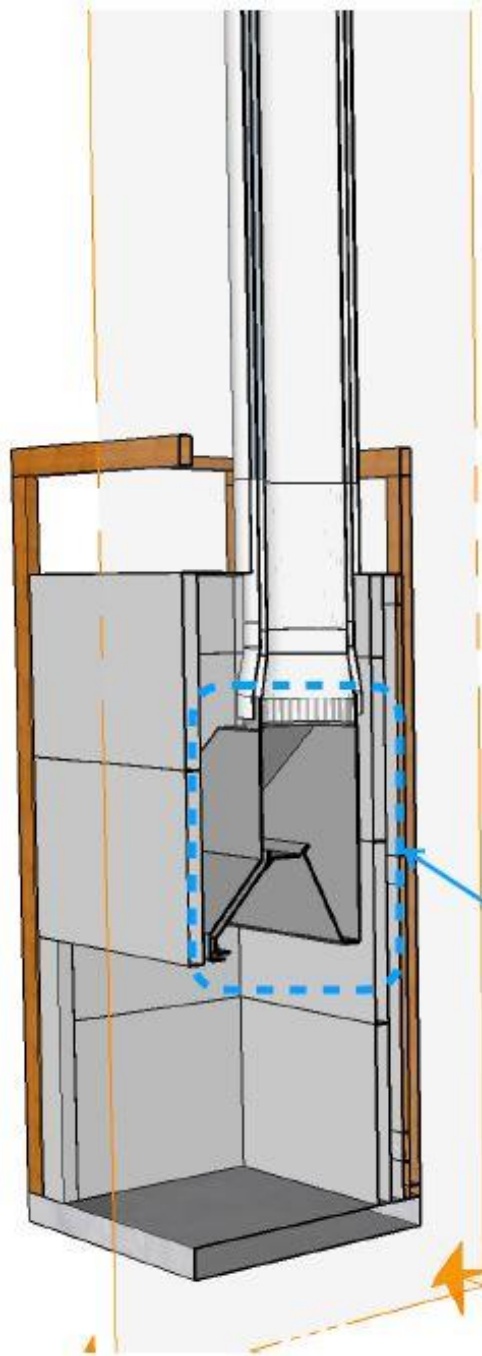


2. Fix front horizontal AAC panels onto steel support frame. 4 x steel screws per panel.

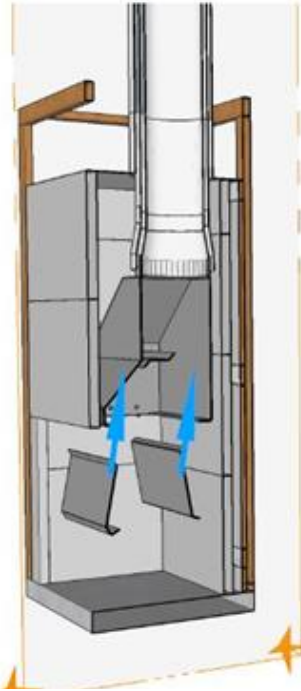


Front AAC panels complete.

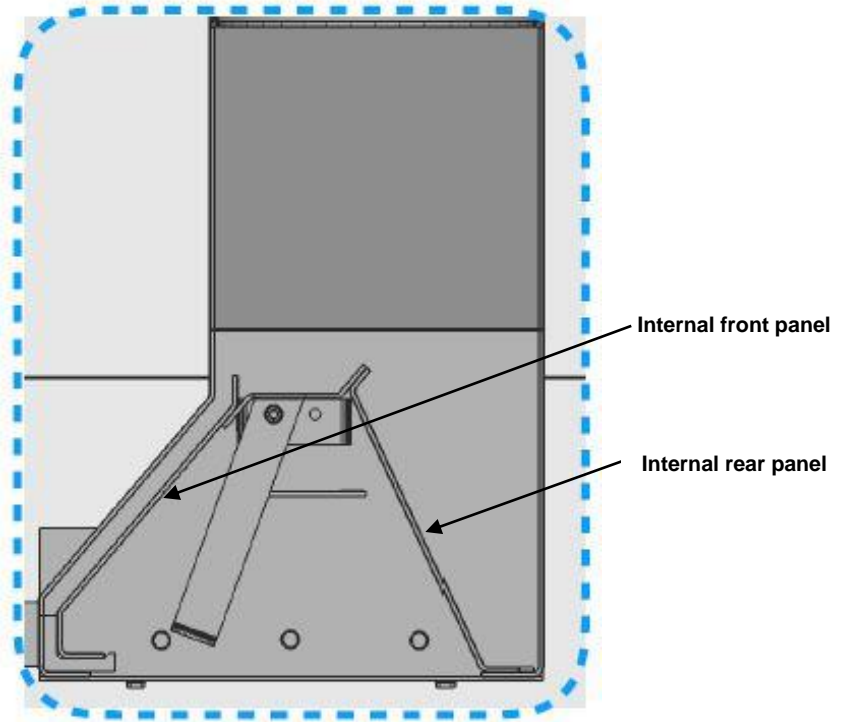
Step 9: Fit internal front and rear panels inside gather



Internal panels in place- cutaway view.

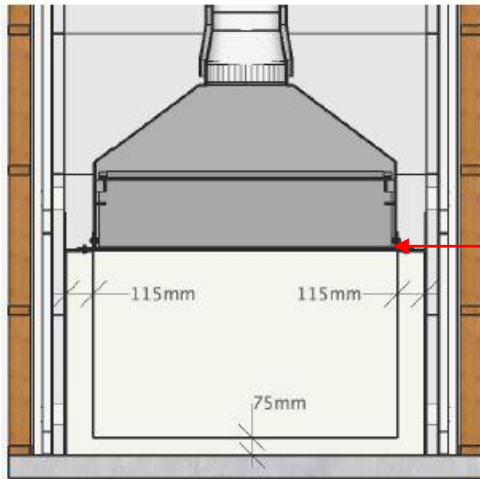


Using two people, lift internal panels into place. Watch your fingers!

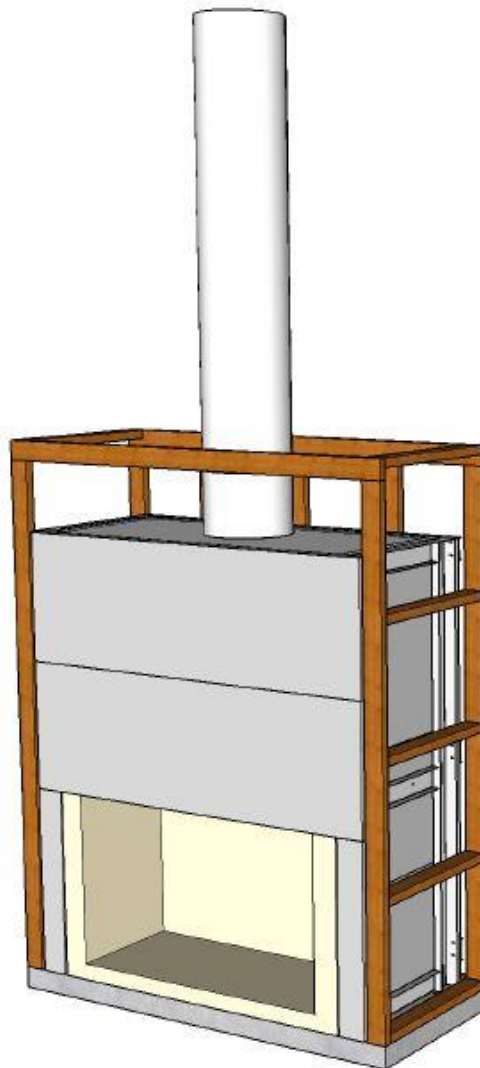
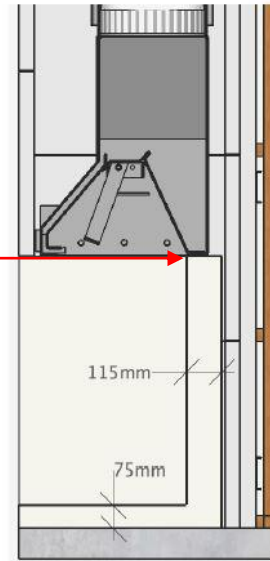


Internal panels in place- side view.

Step 10: Install fire bricks

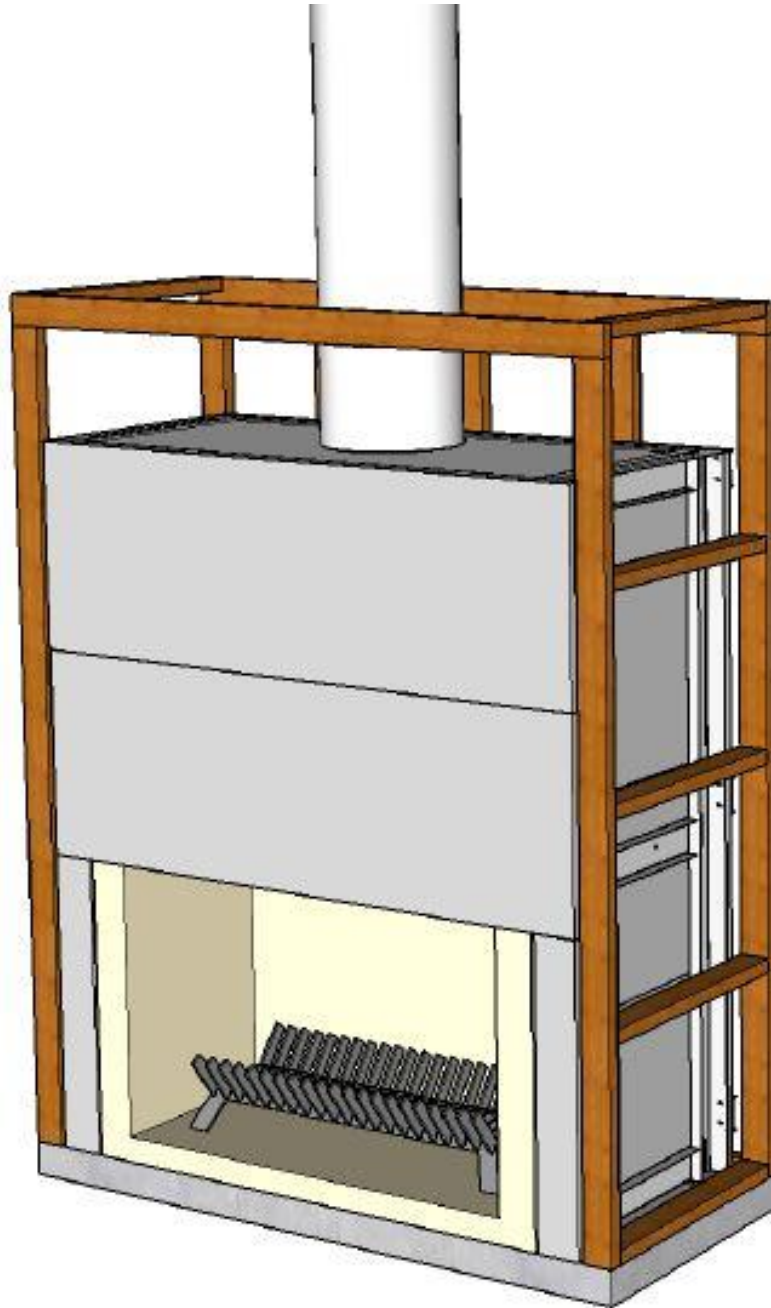


IMPORTANT: To avoid smoke entering the cavity, ensure the fire bricks are flush with the gather internal back panel and sides. Fill gap between fire-bricks and underside of gather with refractory cement.



Fire bricks complete.

Step 11: Place grate into fire brick cavity



Place the grate in the centre of the fire brick cavity.

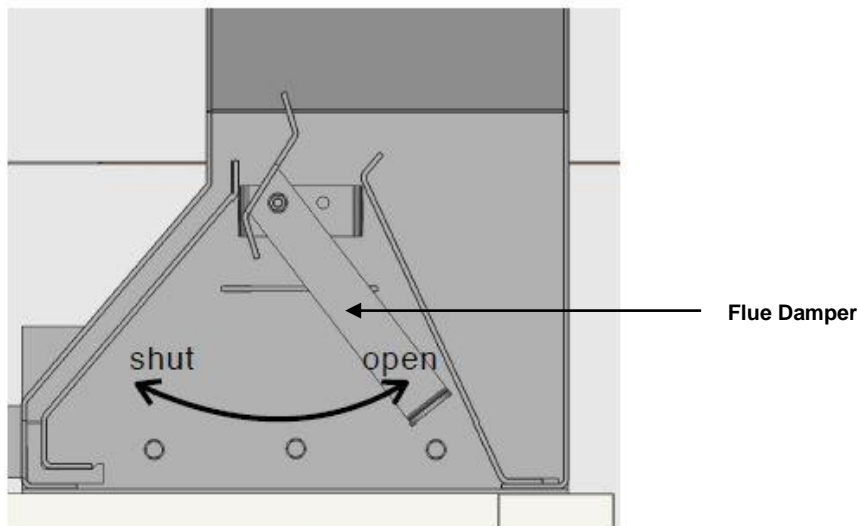
Appliance is now ready for customer-specified outer finishes.

Step 12: Show owner how to operate appliance

- Following the Operating Instructions on the next page, show the owner how to operate the flue damper, and if fitted, the log ignitor.
- If the owner is not available, leave this manual by the appliance.

OPERATING INSTRUCTIONS

- The WD1 has an integrated flue damper which has two positions – open and closed.
- The flue damper **MUST** be in the open position when the fire is being used. To set the flue damper to the open position, simply push it to the rear of the fire.
- If the fire is not being used for an extended period (for example, over summer), the flue damper can be pulled forward to the closed position, which reduces external noises and drafts.



- **Ongoing maintenance.** It is recommended that the flue be swept every year (some insurance companies require this), or more often if required. Fire bricks will deteriorate over time and must be regularly checked for cracking and movement. Repair or replace as required.

.....

TROUBLESHOOTING

Problem	Probable Cause	Action
Smoke is entering room	<ol style="list-style-type: none"> 1. Poor quality or damp wood 2. Flue damper is closed 3. Draft flowing into or across fire 4. Flue terminates at poor position outside (eg. windy part of roof) 5. A nearby extractor fan is sucking smoke from the fire 	<ol style="list-style-type: none"> 1. Change wood 2. Open flue damper 3. Remove source of draft 4. Reposition flue termination 5. Switch off or reposition extractor fan
Flue damper doesn't stay in open position	Flue dumper bolts have loosened	Tighten flue dumper bolts and locknuts – one on each side

PRODUCT WARRANTY

IMPORTANT: Evidence of original purchase is required for warranty service.

WARRANTOR: 'The Fire Dept.' (Landscape Elements Ltd)
85 Newton Road
Mount Maunganui
PO Box 10275, Bayfair, Mount Maunganui

ELEMENT OF WARRANTY

'The Fire Dept.' warrants to the original retail owner for the duration of this warranty, it's fireboxes, gas burner tray, lighters, (herein after referred to as the Product) to be free from defects in materials and craftsmanship with only the limitations or exclusions set out below.

WARRANTY

This warranty will be deemed invalid if the Product is;

- (A) Installed by someone other than an authorised Fire Dept agent.
- (B) Not operated appropriately or "over-fired" in a manner resulting in the firebox operating excessively hot.
- (C) Not serviced and maintained by a certified gas fitter every 12 months.
- (D) Damaged by accident, neglect or misuse,
- (E) Repaired by someone other than an authorised Fire Dept repair agent for a defect or malfunction covered by this warranty.
- (F) Modified, altered or used as part of any conversion kits, subassemblies, or any configurations not sold by 'The Fire Dept.'
- (G) The product contains fire bricks and has not been subjected to the recommended first start-up and run-in procedure.
- (H) Used in conjunction with any equipment or parts or as part of a system not manufactured or supplied by 'The Fire Dept.'
- (I) External powder-coating within 200m of the high tide mark and not lightly washed with warm soapy water every three months.

Indoor appliances (Gas & Wood)

'The Fire Dept.' warrants the mild steel firebox, galvanised steel outer skin and RHS Duragal steel support frame against defective materials and workmanship which would render it unfit for normal domestic use, from the date of purchase by the original consumer, for a period of 5 (five) years. Beyond normal heat-induced staining, tarnishing and mild warping, if a firebox, outer skin or support frame defect occurs, contact 'The Fire Dept.' and the defect will be repaired or replaced at our discretion with all costs covered.

'The Fire Dept.' warrants the SIT Pack (Gas regulator and controller) against defective materials and workmanship which would render it unfit for normal domestic use, from the date of purchase by the original consumer, for a period of 2 (two) years.

Components including fire medium, fans, tiles, glass and glass trim are warranted for a period of 2 (two) years from the date of original purchase, against defective materials and workmanship.

Outdoor appliances (Gas & Wood)

'The Fire Dept.' warrants the Mild Steel firebox, galvanised steel outer skin and RHS Duragal Steel support frame against defective materials and workmanship which would render it unfit for normal domestic use, from the date of purchase by the original consumer, for a period of 2 (two) years. Beyond normal heat-induced staining, tarnishing and mild warping, if a firebox, outer skin or support frame defect occurs, contact 'The Fire Dept.' and the defect will be repaired or replaced at our discretion with all costs covered.

'The Fire Dept.' warrants the SIT Pack (Gas regulator and controller) against defective materials and workmanship which would render it unfit for normal domestic use, from the date of purchase by the original consumer, for a period of 2 (two) years.

Components including fire medium, fans, tiles, glass and glass trim are warranted for a period of 2 (two) years from the date of original purchase for domestic use, against defective materials and workmanship.

STATEMENT OF REMEDY

In the event that the Product does not conform to this warranty at any time while this warranty is in effect, the Warrantor, at its discretion, will repair the defect or replace the part and return it to you without charge for parts or service. This warranty does not provide for reimbursement or payment of incidental or consequential damages.

This warranty does not in any way affect your rights under the Consumers Guarantee Act (New Zealand).