



WD2

**Installation Guide
Operating Instructions
Warranty**

WD2

Installation Guide, Operating Instructions & Warranty

IMPORTANT!

This wood appliance must be installed to **AS/NZS 2918:2001** by a qualified person and in accordance with these instructions. Failure to install the appliance correctly will void your warranty and may cause a fire. This appliance should not be modified under any circumstances.

It is recommended that you have this appliance serviced annually by a qualified technician.

Warranty repairs must be carried out by a 'The Fire Dept.' authorised technician.

This appliance must ALWAYS terminate/flue outdoors.

Young children, elderly or infirm should be supervised to ensure that they are careful with the appliance.

Clothing and other flammable materials should never be placed near the appliance.

Please note that parts (near the flame) of this appliance become extremely hot during operation and can result in serious injury and burns if touched. It is therefore recommended that a fireguard complying with BS 8423:2002 is used in the presence of young children, the elderly or infirm.

During the installation of this appliance, it may be necessary to manually handle heavy component (greater than 25kg). It is the installer's responsibility to ensure appropriate manual-handling techniques are employed.

This installation guide must be read in conjunction with the technical specification for this appliance. If an optional log ignitor is being used, it must be installed in accordance with the relevant log ignitor installation guide.

The WD2 installation process consists of 8 steps

	Page
Step 1: Ensure all components are correct and undamaged	3
Step 2: Pre-installation checklist	4
Step 3: Cut and fit hearth and side AAC panels	5
Step 4: Fit firebox	7
Step 5: Fit flue	9
Step 6: Fit front AAC panels	10
Step 7: Fit glass and ashpan	11
Step 8: Show owner how to operate appliance	12
Operating Instructions	13
Troubleshooting	13
Warranty	14

Information in this installation guide may be subject to change without notice.

Please ensure you have the current version before beginning installation.

If you have any queries, please contact 'The Fire Dept.' on 0800 888 550

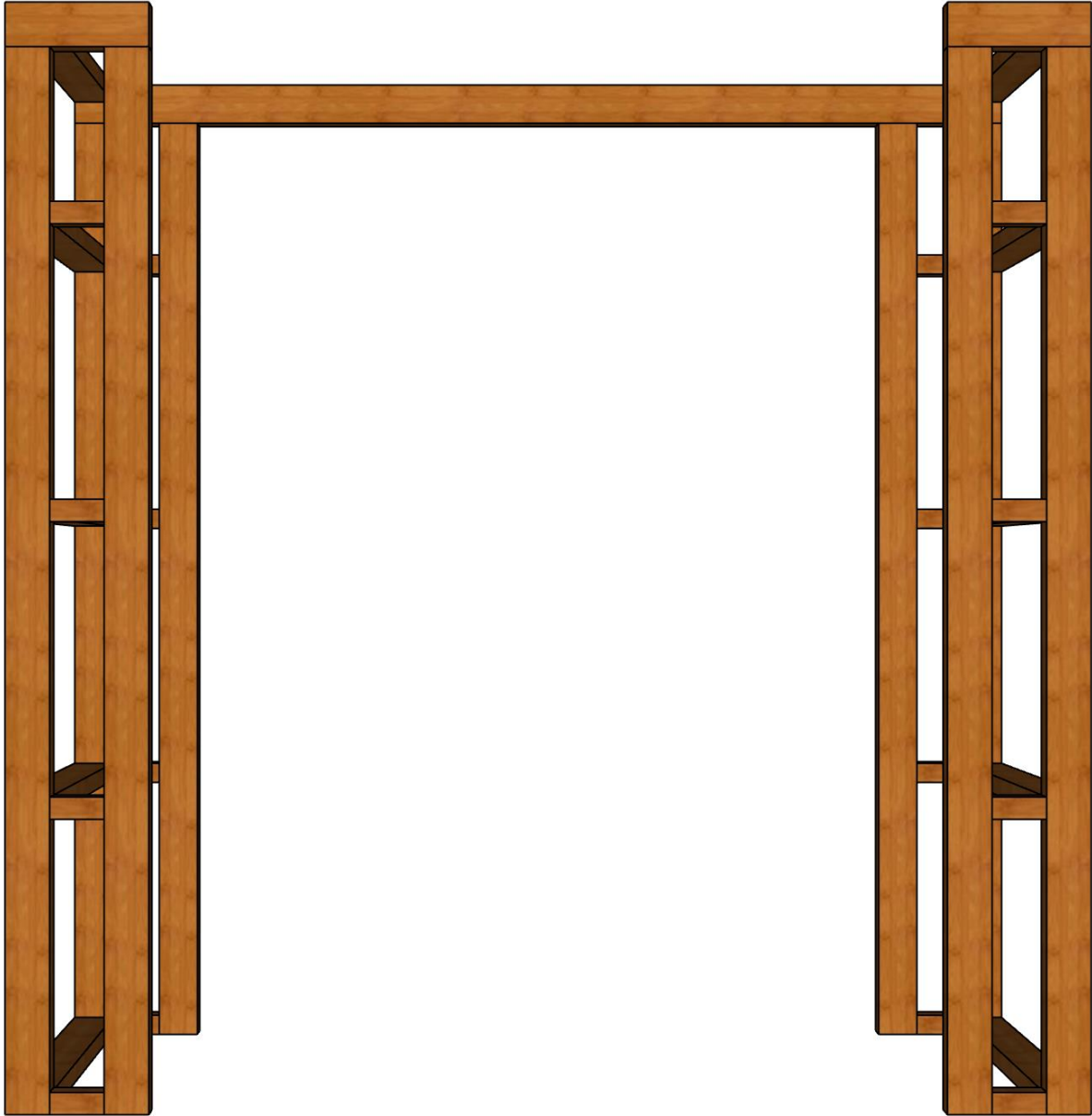


Step 1: Unpack and ensure all components are correct and undamaged

- Firebox.
- AAC panels.
- Ashpan.
- Flue kit.
- WD2 technical specifications (to be read in conjunction with this installation guide).

Step 2: Pre-installation checklist

- Ensure the timber lintel (above the open side of the appliance) isn't installed.
- Ensure cavity dimensions are correct – refer to technical specifications.
- Ensure air introduction requirements have been met – refer to technical specifications.
- Ensure hearth dimensions are correct – refer to technical specifications.
- Plan flue path.
- If optional log ignitor is to be installed, check how gas and electricity supplies run to log ignitor.



The starting point: Timber frame ready without the lintel in position.

Step 3: Cut and fit hearth and side AAC panels

- Uncut AAC panels and cement supplied.
- Wood screws supplied.
- All joints must be cemented.
- **IMPORTANT!** Refer to technical specification for latest version of cutting list.

AAC panel - Cutting plan

ITEM	QTY	DESCRIPTION	MEASUREMENT
1	2	Base panel 1	200mm x 1610mm x 200mm
2	2	Base panel 2	200mm x 235mm x 75mm
3	1	Base panel 3	200mm x 1610mm x 75mm
4	2	Base panel 4	505mm x 1070mm x 75mm
5	1	Base panel 5	600mm x 1070mm x 75mm
6	6	Side panel	600mm x 658mm x 50mm
7	2	Top panel	380mm x 1610mm x 50mm
8	2	Front panel - Upper	600mm x 1610mm x 50mm
9	2	Front panel - middel	298mm x 1610mm x 50mm
10	4	Front panel - lower	97mm x 902mm x 50mm

Top panel

Base panel 4

COPYRIGHT©
THIS DRAWING IS THE PROPERTY
OF **The Fire Dept.**

Client: THE FIRE DEPT.
Product: WD2-1200
Title: AAC PANEL CUTTING PLAN - TIMBER CAVITY
Drawn: J.SCHOEMAN Date: 24/08/2018
Chkd: J. WILSON Date: 23/09/2018
Appd: J. WILSON Date: 23/09/2018 Scale: on A4

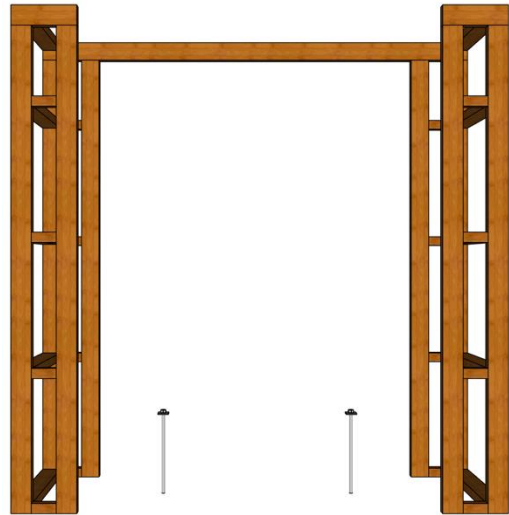
THE FIRE DEPT.
HAND CRAFTED FIRES

Drawing No. **WD2-1200-905** Sheet 5 of 9 Revision **2**

WD2-1200-901.idw

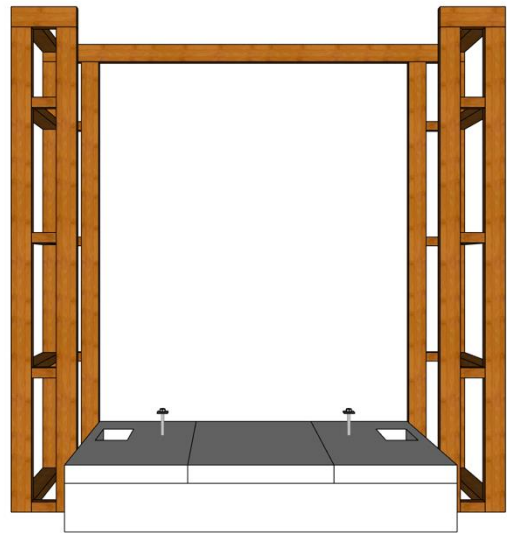
1. Cut supplied AAC panels in accordance with technical specifications (example shown).

2. Set the fixing rods into position. Refer to technical specification for the correct fixing rod details.

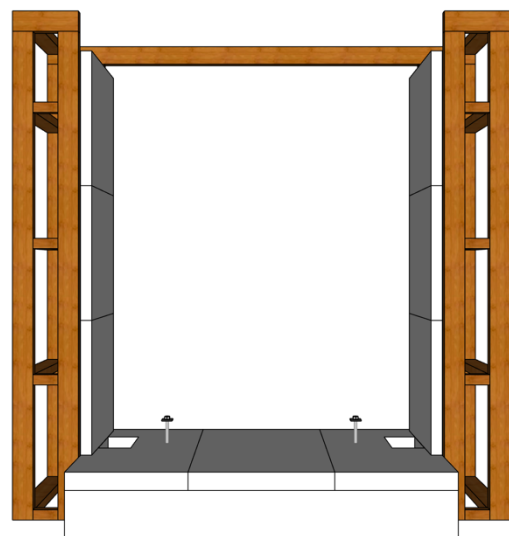


Fixing rods with nuts and washers

3. Fit the hearth AAC panels (2 x 100mm wood screws at each end of each panel).



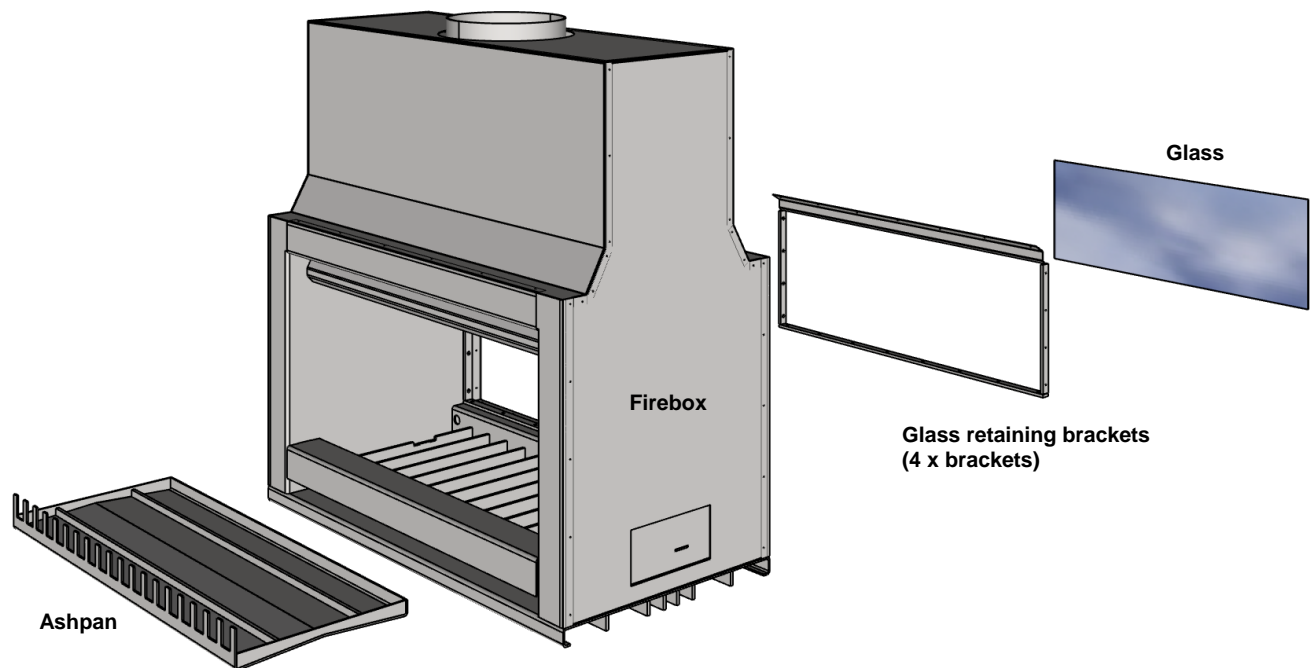
4. Fit the side AAC panels (1 x 100mm long wood screw into the timber framing in the centre of each end of the AAC panel).



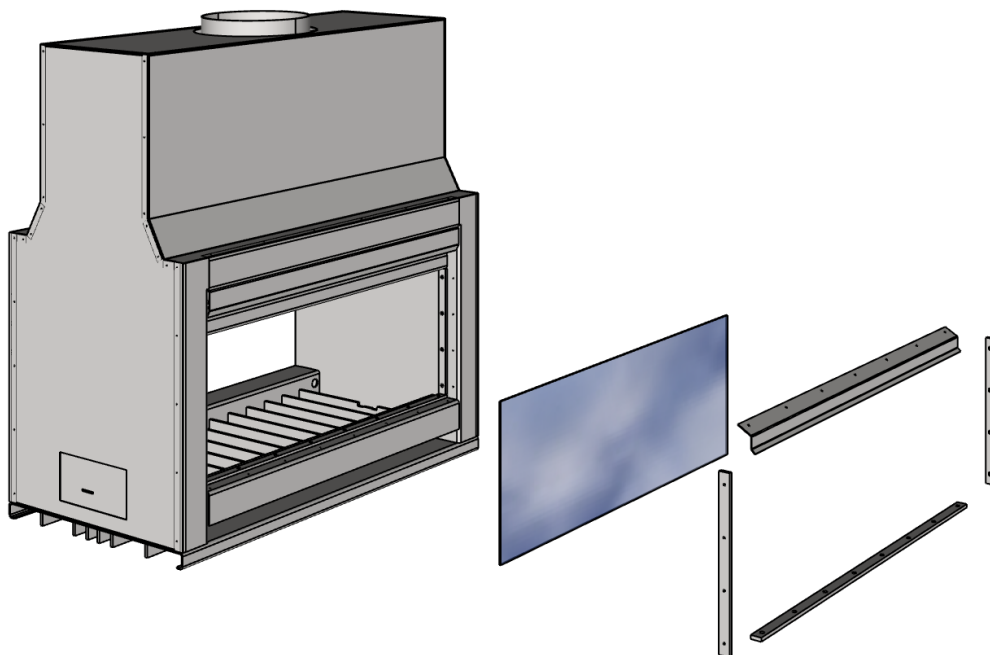
Side and rear AAC panels complete.

Step 4: Fit firebox

Important Safety Note: It may be necessary to manually handle heavy components (greater than 25kg). It is the installer's responsibility to ensure appropriate manual-handling techniques are employed.

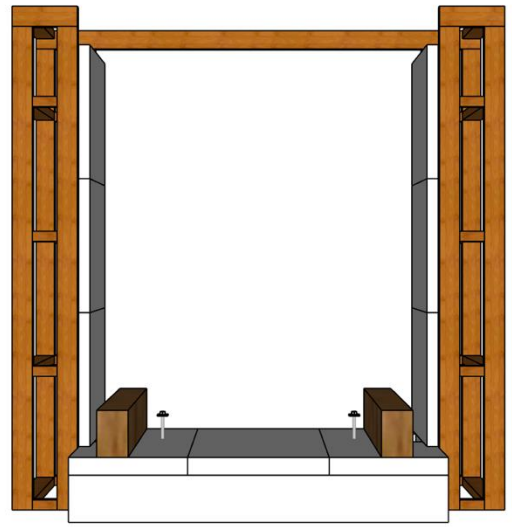


1. Remove ashpan, glass retaining brackets and glass.

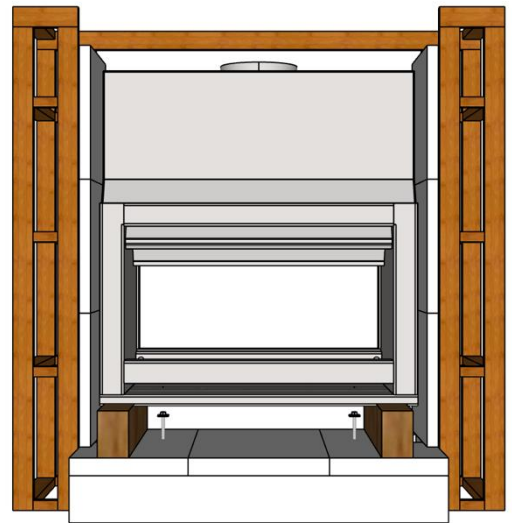


2. Remove the glass by removing the glass retaining brackets. Place the glass in a safe place.

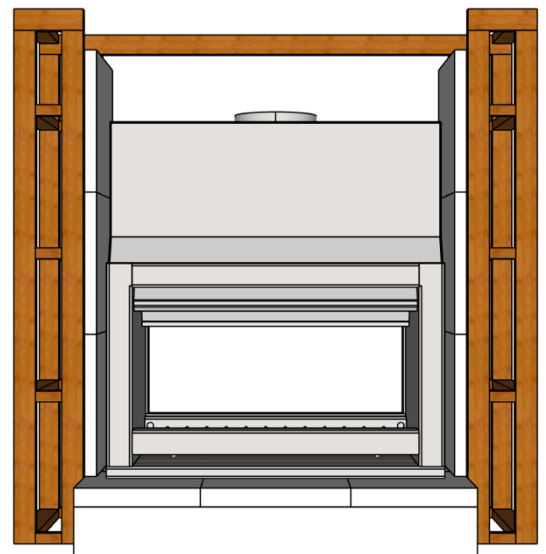
3. Place timber supports (not supplied) onto the hearth. The top of the timber supports need to be above the top of the fixing rods.



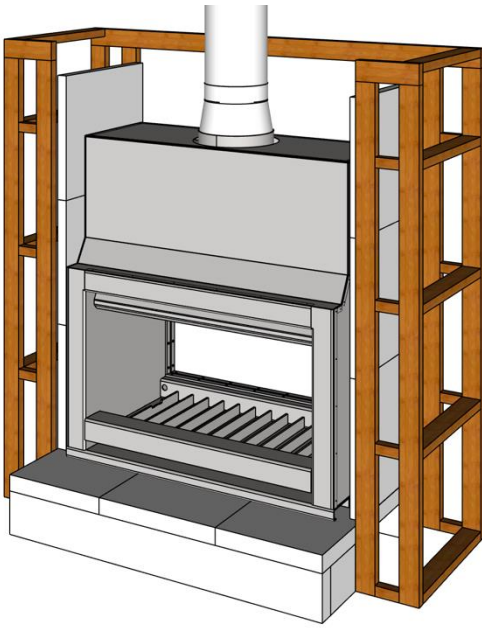
4. Lift the firebox onto the timber supports and connect a block and tackle through the flue spigot.



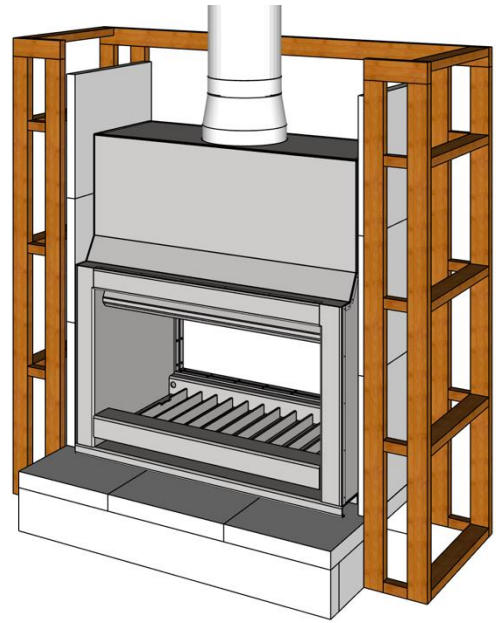
5. Remove the top nuts and washers from the fixing rods. With the block and tackle lift the firebox and remove the timber supports. Carefully lower the firebox onto the hearth. Guide the fixing rods through the holes in the base of the firebox. Fit the washers and tighten the top 16mm nuts. Remove the block and tackle.



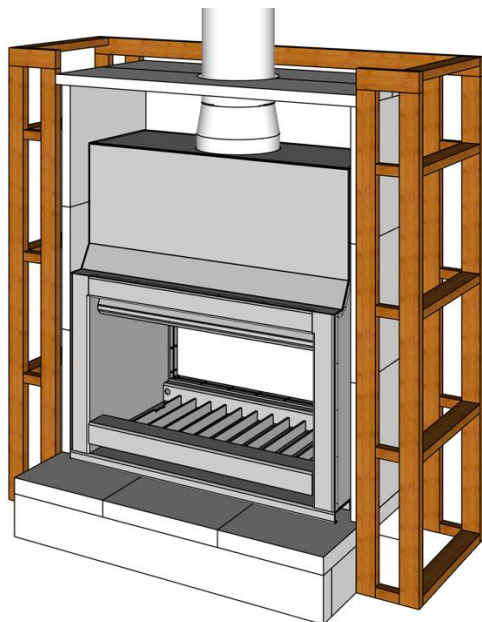
Step 5: Fit flue



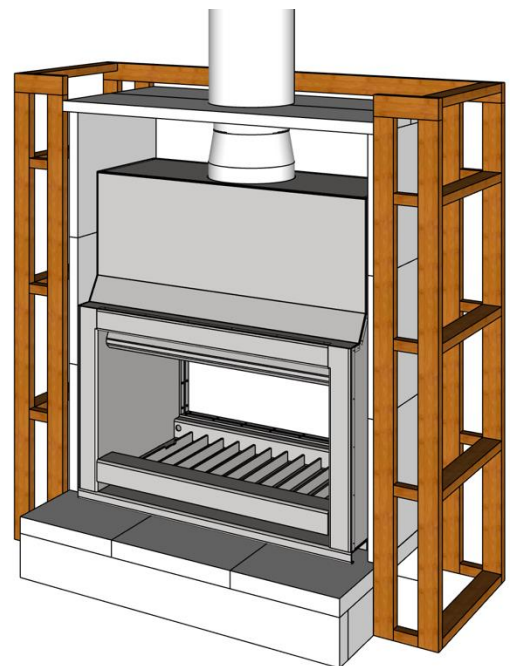
1. Run the first section of flue and flue reducer onto firebox.



2. Run the first section of inner casing and casing reducer onto the firebox. There must be a 25mm unobstructed air gap for air to free flow from the firebox into the inner casing.



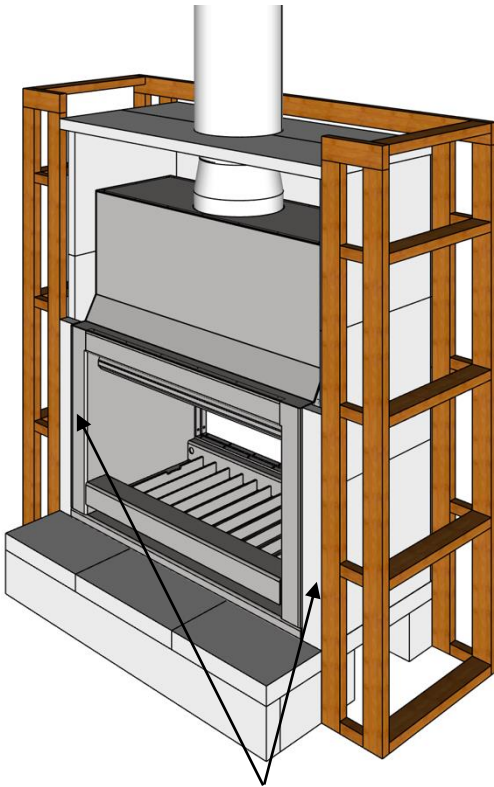
3. Fit the 2 x AAC top panels around the inner casing. Ensure there is a 25mm air gap between AAC panels and the inner casing (2 x 100mm wood screws at each end of each panel).



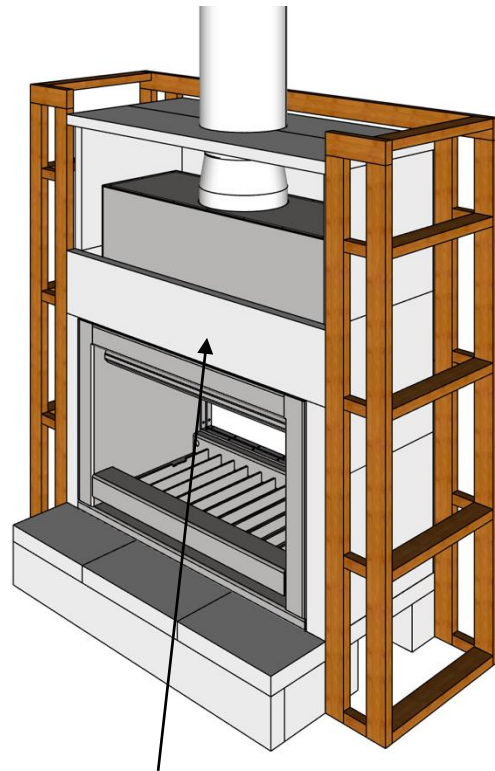
4. Run the first section of the outer casing onto the AAC top panels. There must be a 25mm unobstructed air gap for air to free flow from the firebox cavity into the outer casing.
5. Complete the rest of the flue installation.

Step 6: Fit front AAC panels

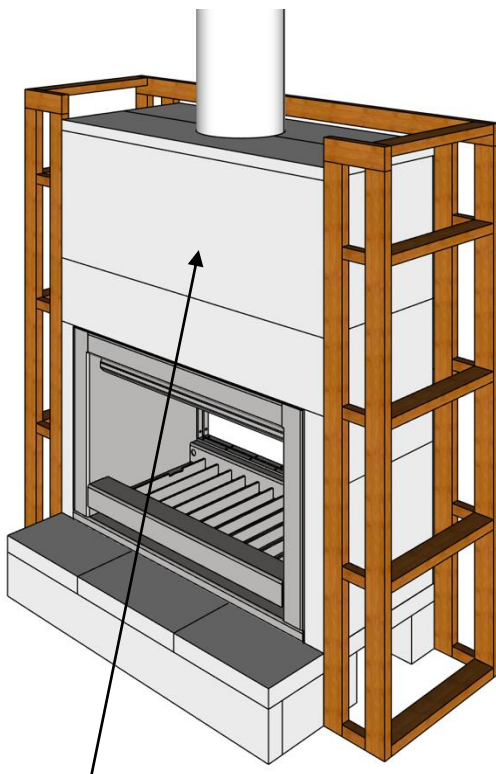
- Wood screws supplied.
- All joints must be cemented.



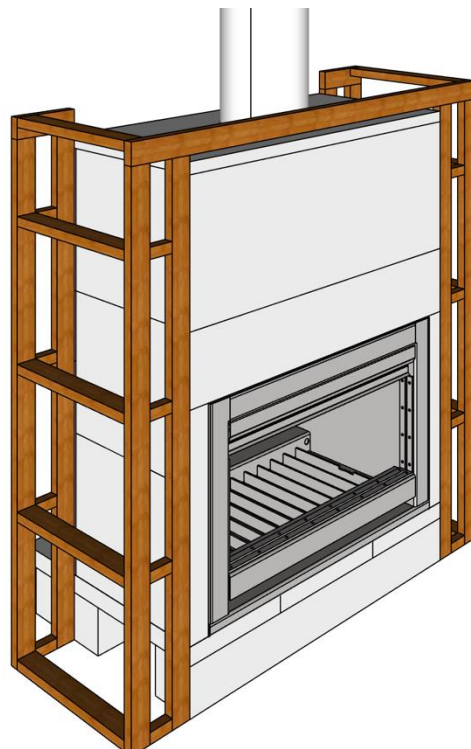
1. Fix front vertical AAC panels onto previously fitted AAC side panels (2 x wood screws per panel).



2. Fix the lower front horizontal AAC panels onto steel support frame (4 x steel screws per panel)

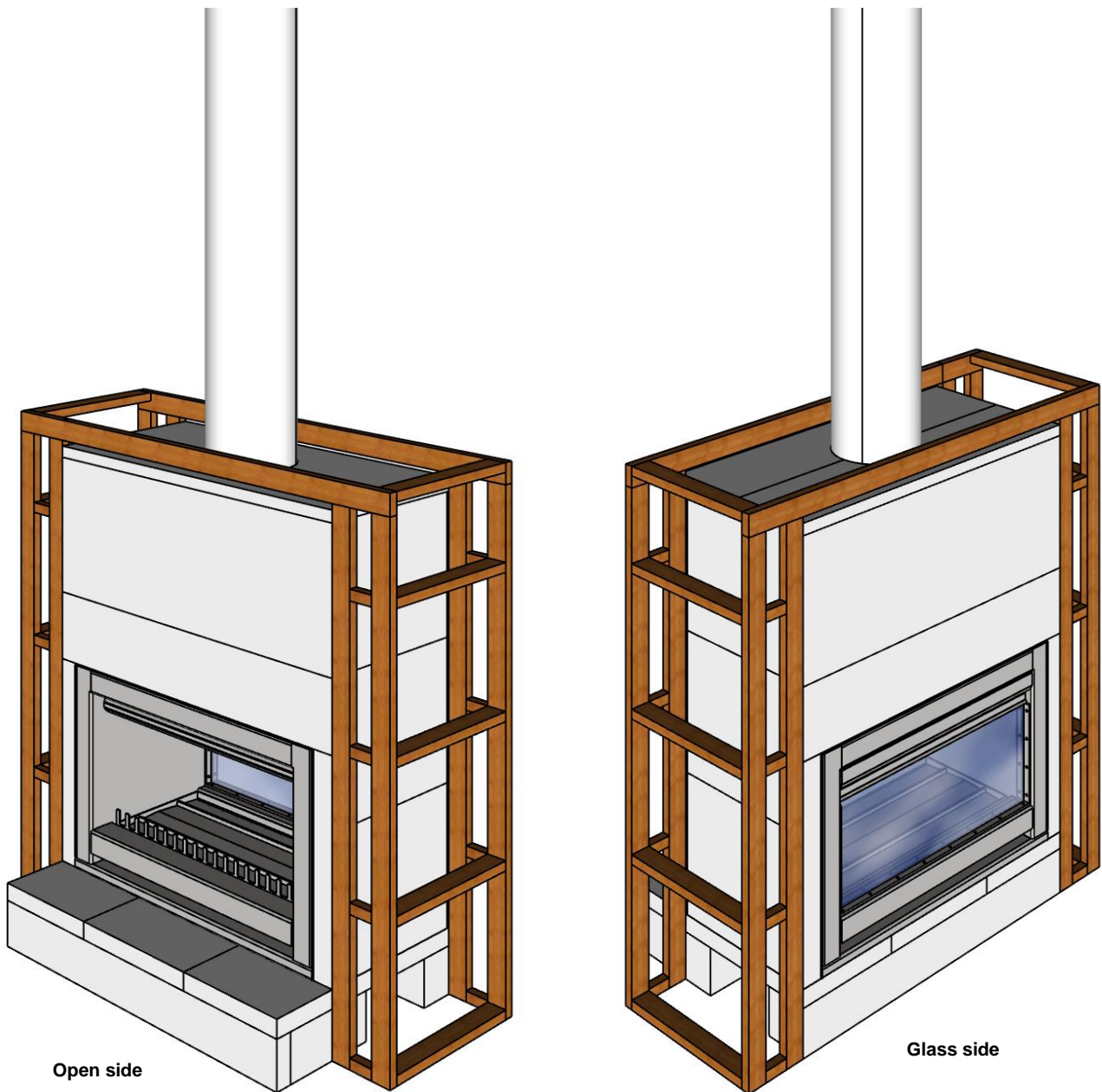


3. Fix the top front horizontal AAC panels onto previously fitted AAC side panels and under the top panels (4 x steel screws per panel)



4. Complete the same process to the glass side of the appliance.

Step 7: Fit glass and ashpan



Fit the glass by reversing glass removal process described earlier.

Place the ashpan in the centre of the firebox.

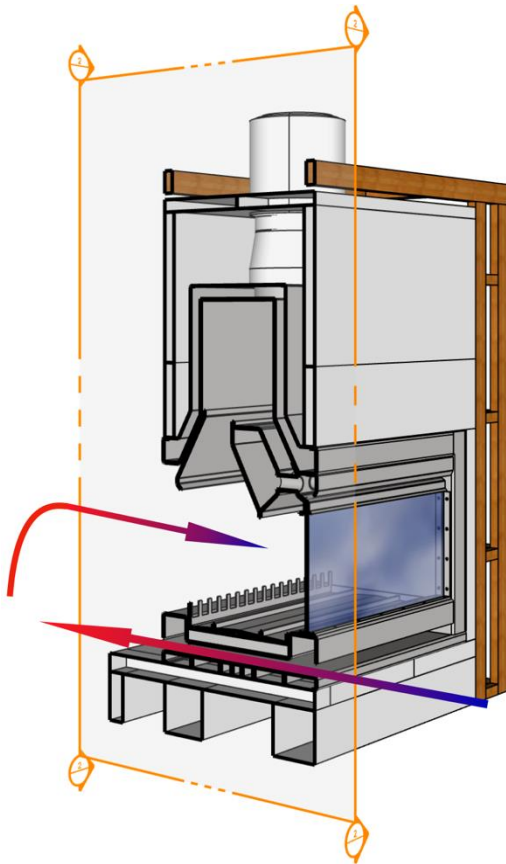
Appliance is now ready for timber lintel to be fitted (if required) and the customer-specified outer finishes.

Step 8: Show owner how to operate appliance

- Following the Operating Instructions on the next page, show the owner how to operate the appliance, and if fitted, the log ignitor.
- If the owner is not available, leave this manual by the appliance.

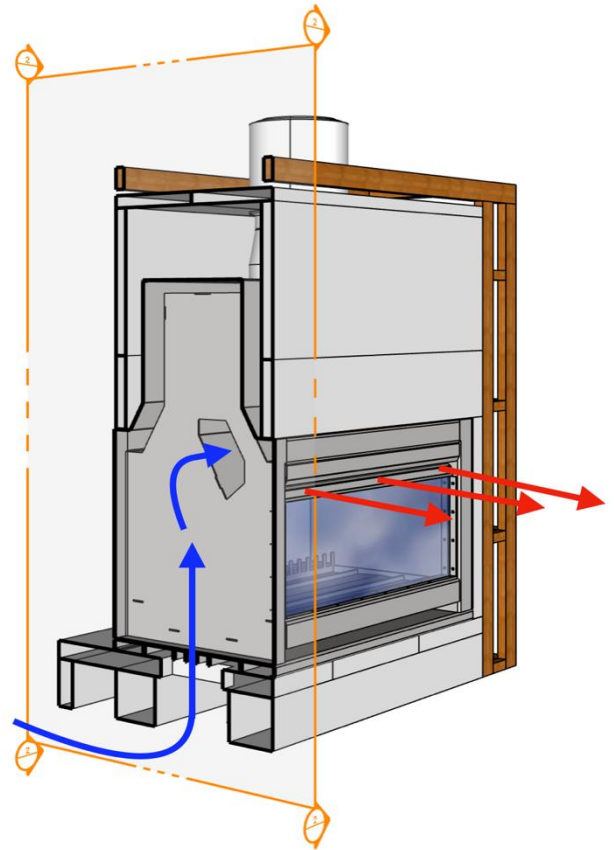
OPERATING INSTRUCTIONS

- The WD2 is very simple to operate and has a unique heat exchanging set-up. The heat output is controlled by the amount of fuel that is loaded into the appliance. The appliance will take 30 minutes (with a well established fire) to bring the internal heat exchanger up to temperature and produce good heat output. Wood burning appliances require replacement air to function. The replacement air for the WD2 is supplied through the appliance as shown below.



Stage 1:

- As the appliance starts to burn it requires replacement air.
- Replacement air is pulled from the glass side of the appliance through the cavity under the ashpan to the open side of the appliance.
- The cool air is heated by the fire in the ashpan above as it passes through the cavity.



Stage 2:

- Cool replacement air is pulled from outside the building into the heat exchanger inside the appliance.
 - The cool replacement air is heated and pulled into the room on the glass side of the appliance.
- Ongoing maintenance.** It is recommended that the flue be swept every year (some insurance companies require this), or more often if required. Ashpans will deteriorate over time and must be regularly checked for cracking and movement. Repair or replace as required.
 - First fire start-up:** The appliance will require a 1 hour first fire. Ensure all windows and doors are open during this process to vent any odours that may occur.

TROUBLESHOOTING

Problem	Probable Cause	Action
Smoke coming out the front of the fire	<ol style="list-style-type: none"> Poor quality or damp wood Draft flowing into or across fire Flue terminates at poor position outside (eg. windy part of roof) A nearby extractor fan is sucking smoke from the fire 	<ol style="list-style-type: none"> Change wood Remove source of draft Reposition flue termination Switch off or reposition extractor fan

PRODUCT WARRANTY

IMPORTANT: Evidence of original purchase is required for warranty service.

WARRANTOR: 'The Fire Dept.' (Landscape Elements Ltd)
85 Newton Road
Mount Maunganui
PO Box 10275, Bayfair, Mount Maunganui

ELEMENT OF WARRANTY

'The Fire Dept.' warrants to the original retail owner for the duration of this warranty, it's fireboxes, gas burner tray, lighters, (herein after referred to as the Product) to be free from defects in materials and craftsmanship with only the limitations or exclusions set out below.

WARRANTY

This warranty will be deemed invalid if the Product is;

- (A) Installed by someone other than an authorised Fire Dept agent.
- (B) Not operated appropriately or "over-fired" in a manner resulting in the firebox operating excessively hot.
- (C) Not serviced and maintained by a certified gas fitter every 12 months.
- (D) Damaged by accident, neglect or misuse,
- (E) Repaired by someone other than an authorised Fire Dept repair agent for a defect or malfunction covered by this warranty.
- (F) Modified, altered or used as part of any conversion kits, subassemblies, or any configurations not sold by 'The Fire Dept.'
- (G) The product contains fire bricks and has not been subjected to the recommended first start-up and run-in procedure.
- (H) Used in conjunction with any equipment or parts or as part of a system not manufactured or supplied by 'The Fire Dept.'
- (I) External powder-coating within 200m of the high tide mark and not lightly washed with warm soapy water every three months.

Indoor appliances (Gas & Wood)

'The Fire Dept.' warrants the mild steel firebox, galvanised steel outer skin and RHS Duragal steel support frame against defective materials and workmanship which would render it unfit for normal domestic use, from the date of purchase by the original consumer, for a period of 5 (five) years. Beyond normal heat-induced staining, tarnishing and mild warping, if a firebox, outer skin or support frame defect occurs, contact 'The Fire Dept.' and the defect will be repaired or replaced at our discretion with all costs covered.

'The Fire Dept.' warrants the SIT Pack (Gas regulator and controller) against defective materials and workmanship which would render it unfit for normal domestic use, from the date of purchase by the original consumer, for a period of 2 (two) years.

Components including fire medium, fans, tiles, glass and glass trim are warranted for a period of 2 (two) years from the date of original purchase, against defective materials and workmanship.

Outdoor appliances (Gas & Wood)

'The Fire Dept.' warrants the Mild Steel firebox, galvanised steel outer skin and RHS Duragal Steel support frame against defective materials and workmanship which would render it unfit for normal domestic use, from the date of purchase by the original consumer, for a period of 2 (two) years. Beyond normal heat-induced staining, tarnishing and mild warping, if a firebox, outer skin or support frame defect occurs, contact 'The Fire Dept.' and the defect will be repaired or replaced at our discretion with all costs covered.

'The Fire Dept.' warrants the SIT Pack (Gas regulator and controller) against defective materials and workmanship which would render it unfit for normal domestic use, from the date of purchase by the original consumer, for a period of 2 (two) years.

Components including fire medium, fans, tiles, glass and glass trim are warranted for a period of 2 (two) years from the date of original purchase for domestic use, against defective materials and workmanship.

STATEMENT OF REMEDY

In the event that the Product does not conform to this warranty at any time while this warranty is in effect, the Warrantor, at its discretion, will repair the defect or replace the part and return it to you without charge for parts or service. This warranty does not provide for reimbursement or payment of incidental or consequential damages.

This warranty does not in any way affect your rights under the Consumers Guarantee Act (New Zealand).