



WD55

**Installation Guide
Operating Instructions
Warranty**

WD55

Installation Guide, Operating Instructions & Warranty

IMPORTANT!

This wood appliance must be installed to **AS/NZS 2918:2001** by a qualified person and in accordance with these instructions. Failure to install the appliance correctly will void your warranty and may cause a fire. This appliance should not be modified under any circumstances.

It is recommended that you have this appliance serviced annually by a qualified technician.

Warranty repairs must be carried out by a 'The Fire Dept.' authorised technician.

This appliance must ALWAYS terminate/flue outdoors.

Young children, elderly or infirm should be supervised to ensure that they are careful with the appliance.

Clothing and other flammable materials should never be placed near the appliance.

Please note that parts (near the flame) of this appliance become extremely hot during operation and can result in serious injury and burns if touched. It is therefore recommended that a fireguard complying with BS 8423:2002 is used in the presence of young children, the elderly or infirm.

During the installation of this appliance, it may be necessary to manually handle heavy components (greater than 25kg). It is the installer's responsibility to ensure appropriate manual-handling techniques are employed.

This installation guide must be read in conjunction with the technical specifications for this appliance.

The WD55 installation process consists of 8 steps

	Page
Step 1: Ensure all components are correct and undamaged	3
Step 2: Pre-installation checklist	4
Step 3A: Crane appliance into position	5
Step 3B: Disassemble then reassemble appliance & woodbox into position	7
Step 4: Fix appliance and woodbox into position	15
Step 5: Fit hearth (optional)	18
Step 6: Fit flue	20
Step 7: Fit oven tile, door, fire bricks and grate	21
Step 8: Show owner how to operate appliance	22
Operating Instructions	23
Troubleshooting	23
Warranty	24

Information in this installation guide may be subject to change without notice.

Please ensure you have the current version before beginning installation.

If you have any queries, please contact 'The Fire Dept.' on 0800 888 550

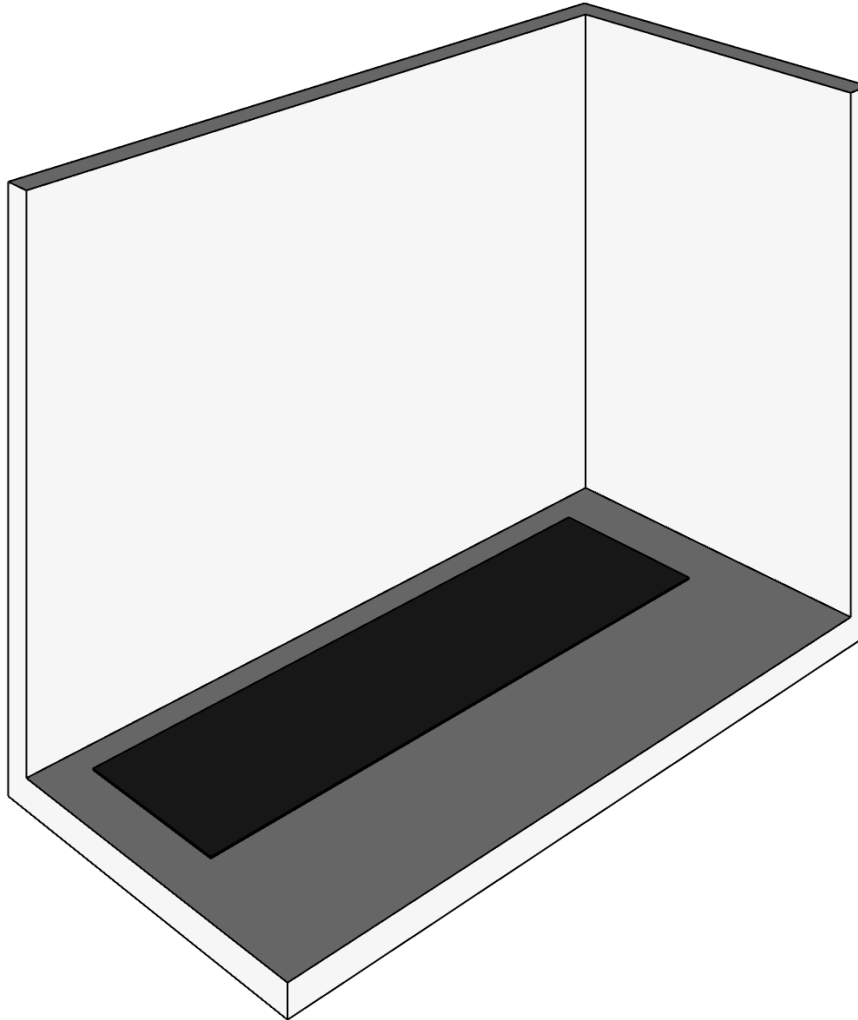


Step 1: Unpack and ensure all components are correct and undamaged

- Appliance and woodbox, with oven tile and fire bricks.
- Grate.
- Flue kit.
- Pizza paddle.
- Baffle hook.
- WD55 technical specifications (to be read in conjunction with this installation guide).
- BBQ Grill/Hotplate (optional).
- AAC panels (optional).
- AAC supporting brackets (optional).
- Box-folded steel hearth panel or tread plate aluminium hearth panel (optional).
- Flamethrower log ignitor (optional).
- Flamethrower log ignitor installation guide, if optional log ignitor is being used.

Step 2: Pre-installation checklist

- Ensure clearances are correct – refer to technical specifications.
- Ensure hearth dimensions are correct – refer to technical specifications.
- Plan flue path.
- Ensure the base is strong enough to support the appliance.



The starting point.

**Note: Ensure clearances are correct – refer to technical specifications.
AAC heat barrier and AAC front hearth is required if the appliance is
to be positioned on combustible materials**

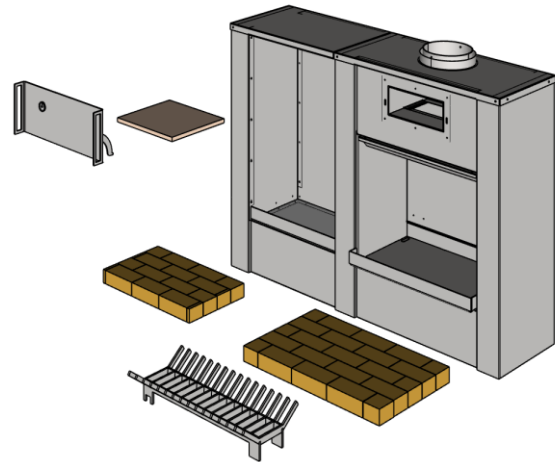
Step 3A: Crane appliance and woodbox into position

The best installation option is to crane the fully assembled appliance into position. If this is not possible, follow the instructions in step 3B.

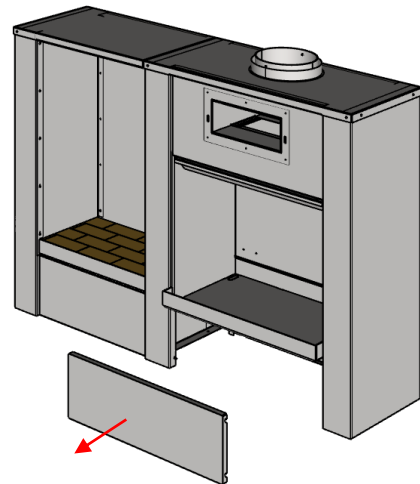
Important Safety Note: It is the installer's responsibility to ensure that the crane, operator and equipment are suitably certified to lift the appliance.



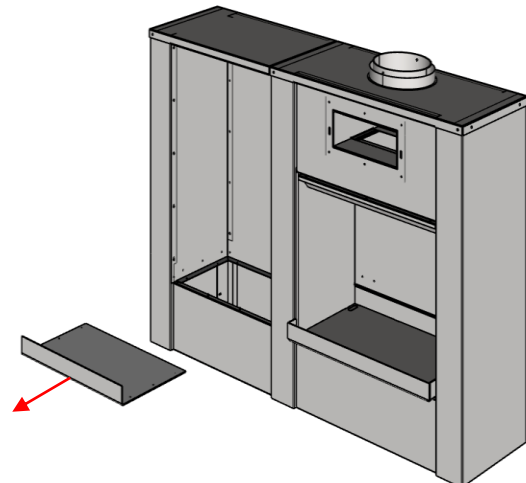
1. Remove door, oven tile, grate and fire bricks.
Take a photo of both fire brick set-ups as you'll need them later.



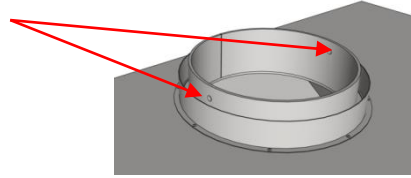
2. Remove the front lower panel, which hangs on bolts.
Carefully lift the front lower panel up 10mm and pull it away from the front of the fire in one movement.



3. Remove the woodbox hearth plate (7 x 6mm countersunk cap screws).

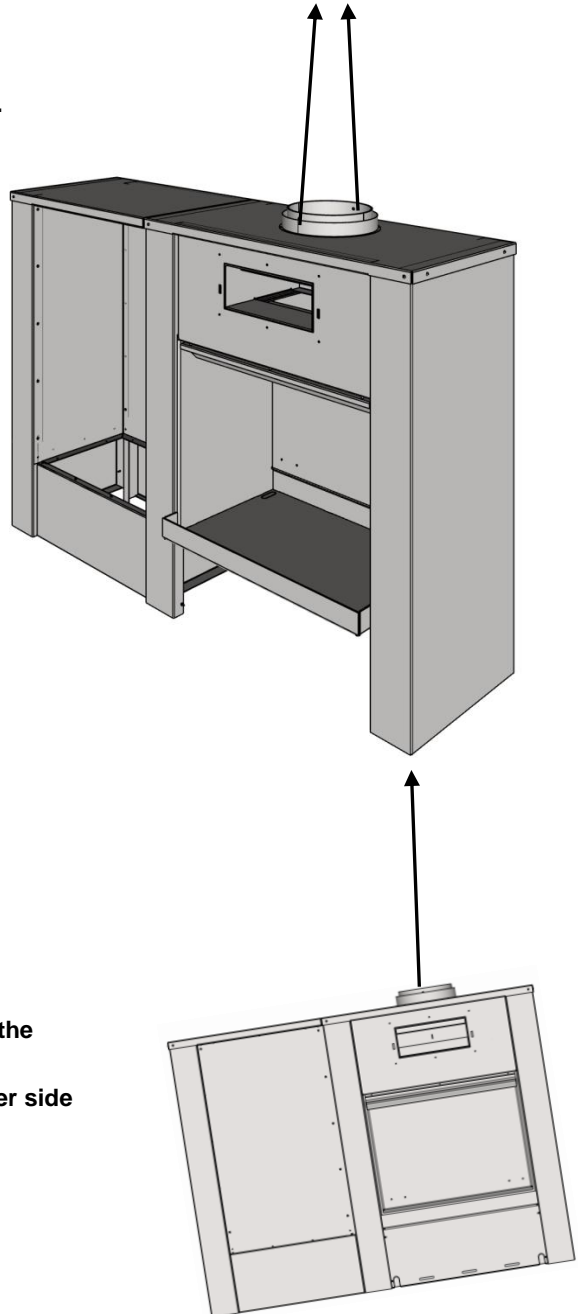


4. Connect lifting shackles through the 15mm holes in the flue spigot.



2 x 15mm holes in flue spigot for lifting the appliance.

5. Carefully lift the appliance and woodbox into position.



Note:

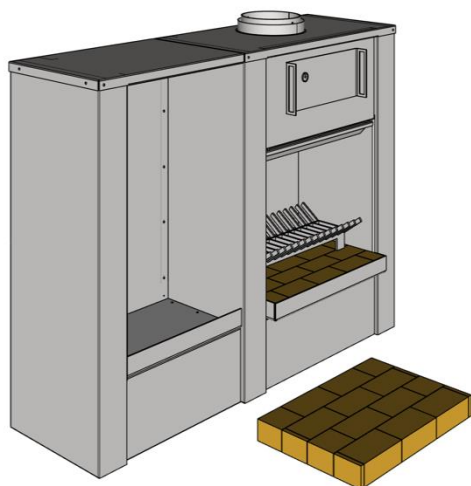
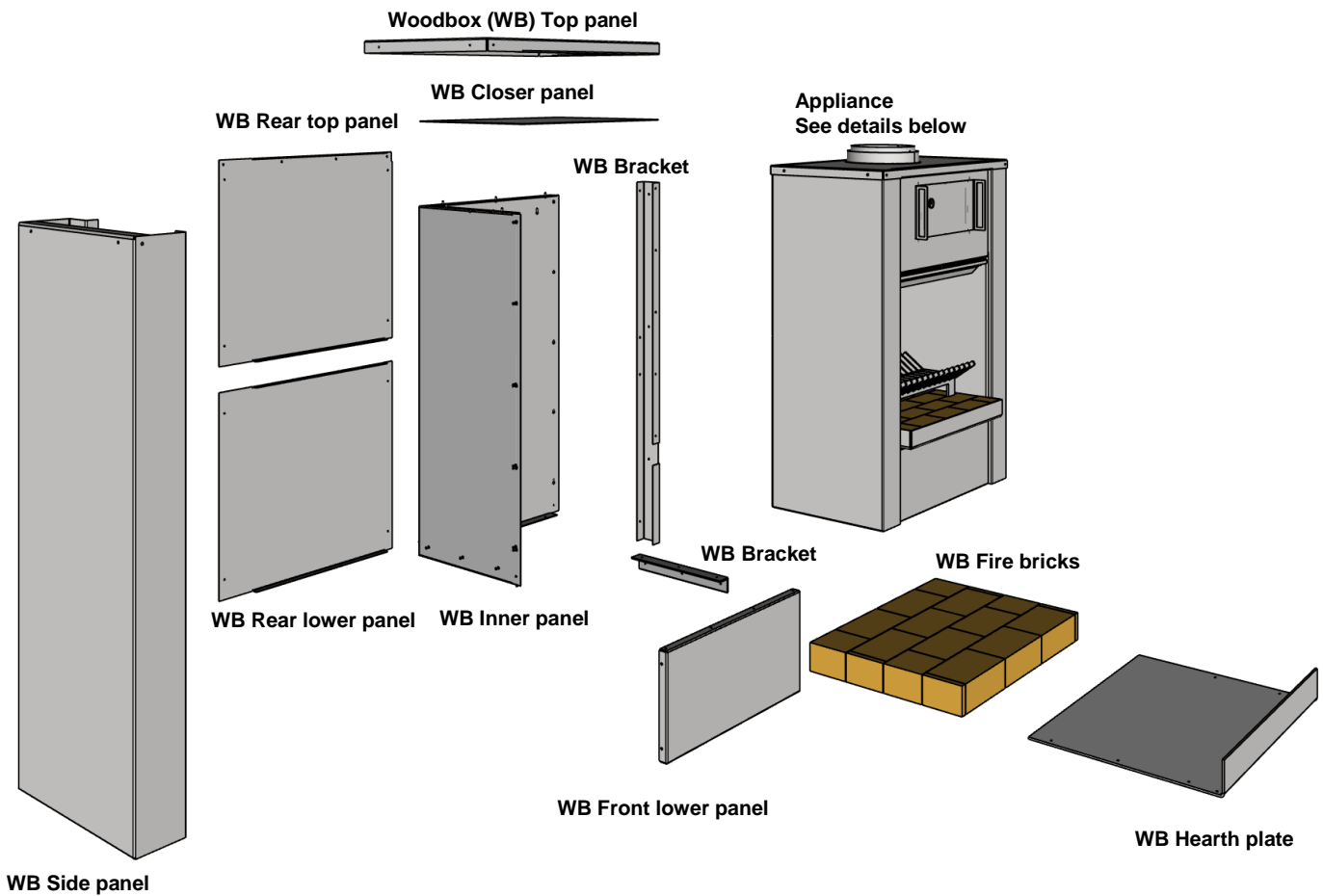
- The woodbox will be the last part to rise as it is lifted.
- Due to the unbalance the appliance will hang lower at the woodbox side.
- Take care not to damage the base of the woodbox outer side panel during this process.

6. Move to step 4 once the appliance is in position.

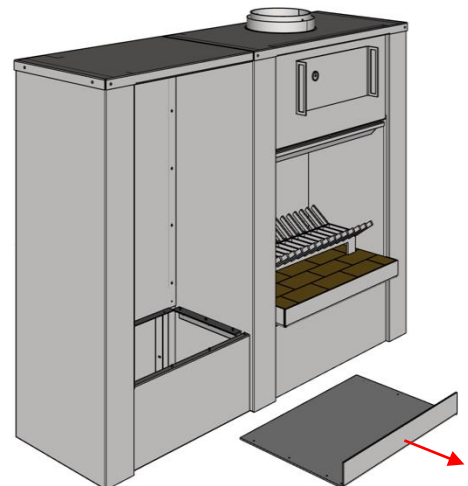
Step 3B: Disassemble then reassemble appliance & woodbox into position

If the appliance cannot be craned into position, it needs to be disassembled then reassembled into position.

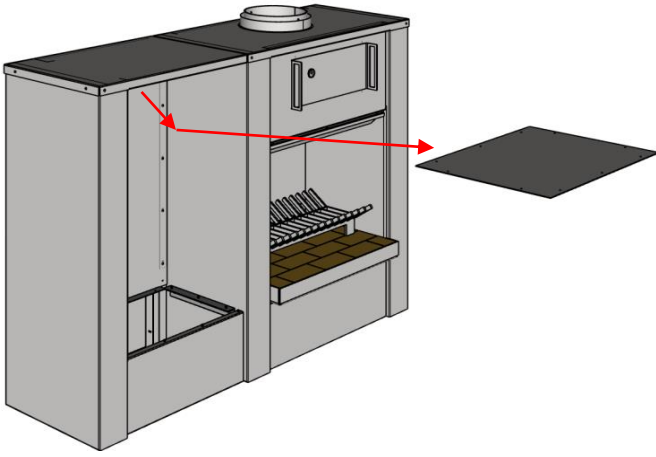
Important Safety Note: It may be necessary to manually handle heavy components (greater than 25kg). It is the installer's responsibility to ensure appropriate manual-handling techniques are employed.



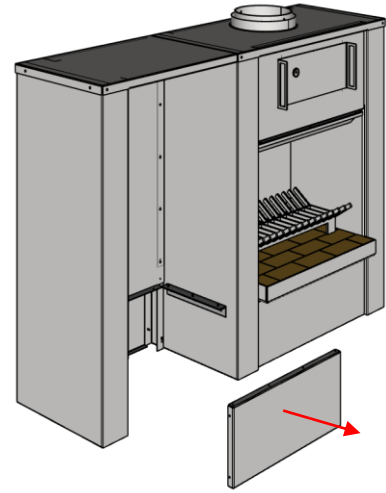
1. Remove the woodbox fire bricks.
Take a photo of the fire brick set-up, as you'll need it later.



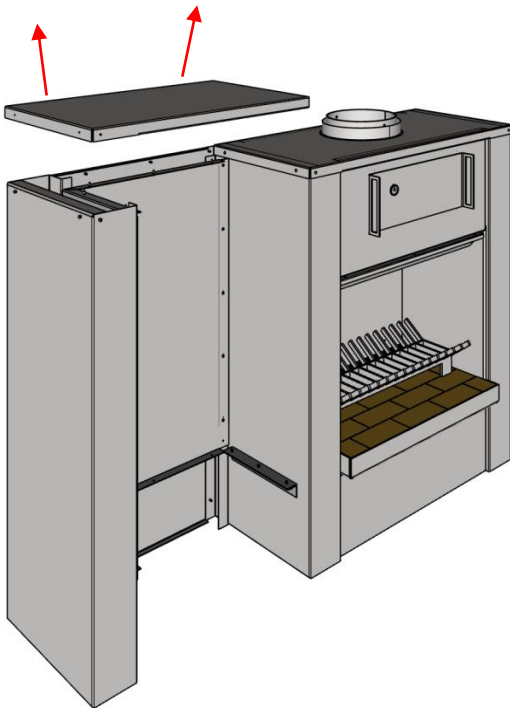
2. Remove the woodbox hearth plate (7 x 6mm countersunk cap screws) and firebricks



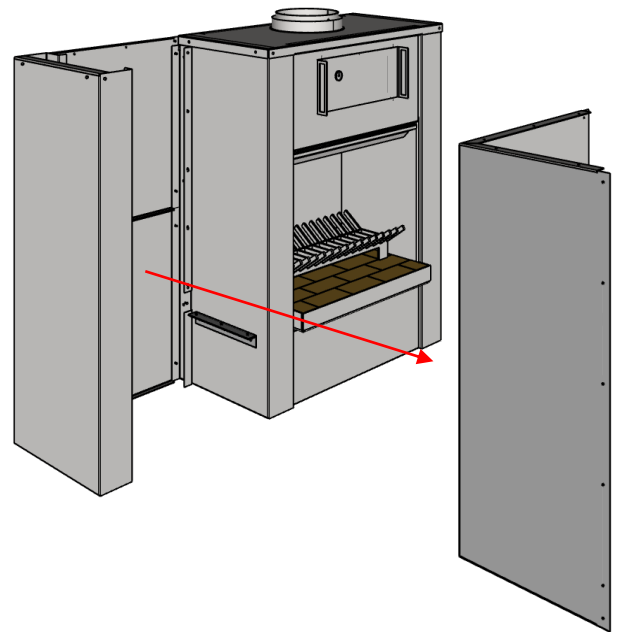
3. Remove the woodbox closer panel from the inside top of the wood box (10 x 5mm countersunk cap screws).



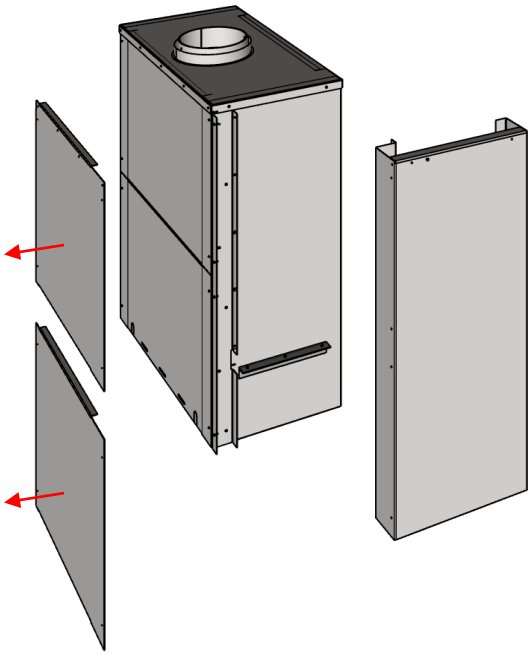
4. Remove the woodbox front lower panel. (2 x 5mm cap screws at each side).



5. Remove the woodbox top panel (9 x 5mm countersunk cap screws).



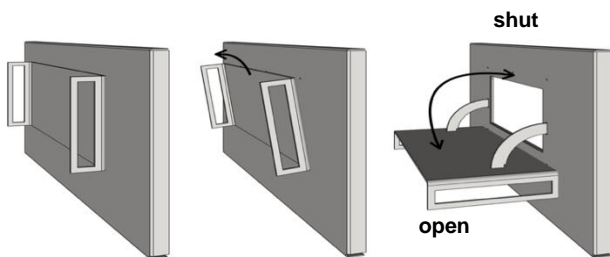
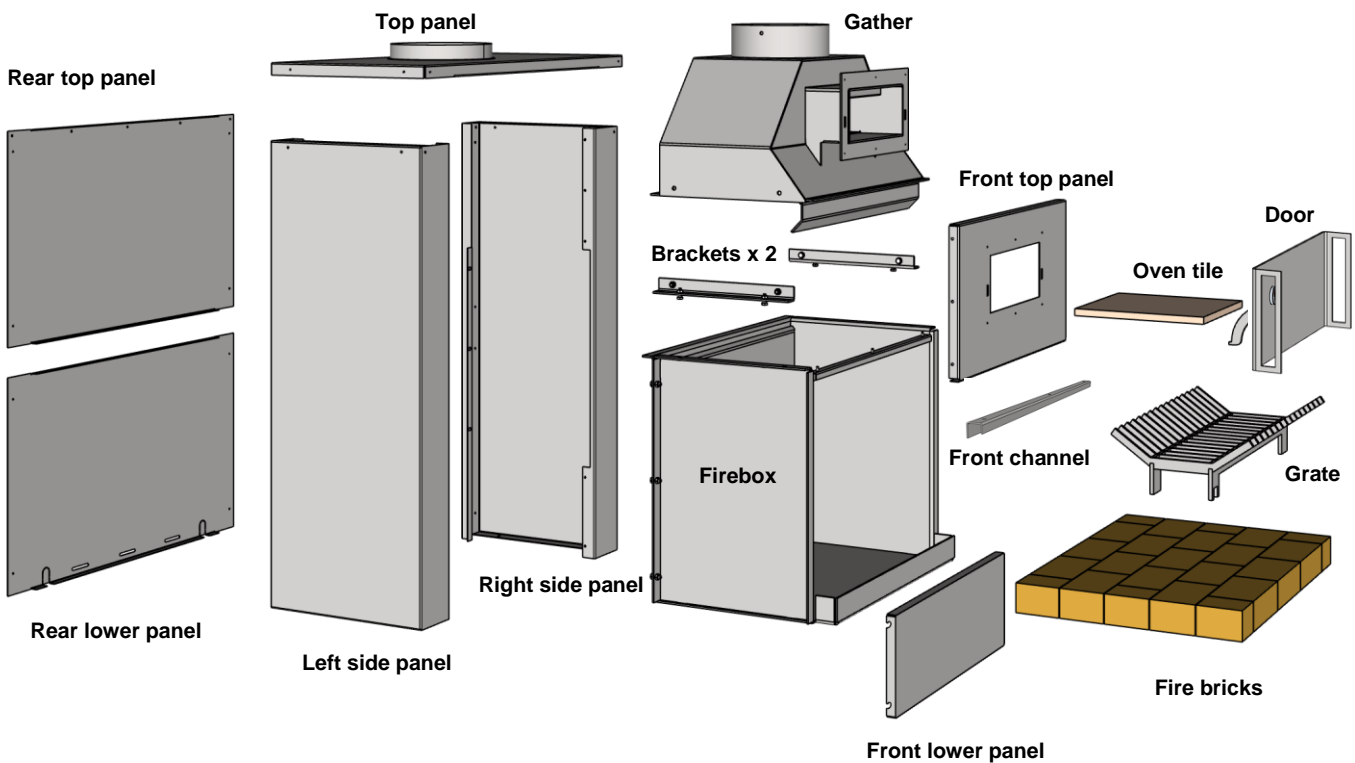
6. Remove the woodbox inner panel (12 x 5mm countersunk cap screws).



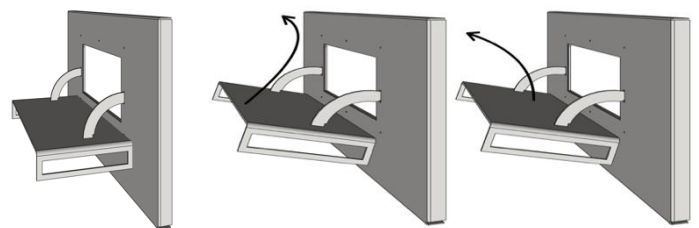
7. Remove the woodbox rear top panel and then the woodbox rear lower panel (4 x 5mm countersunk cap screws each panel).



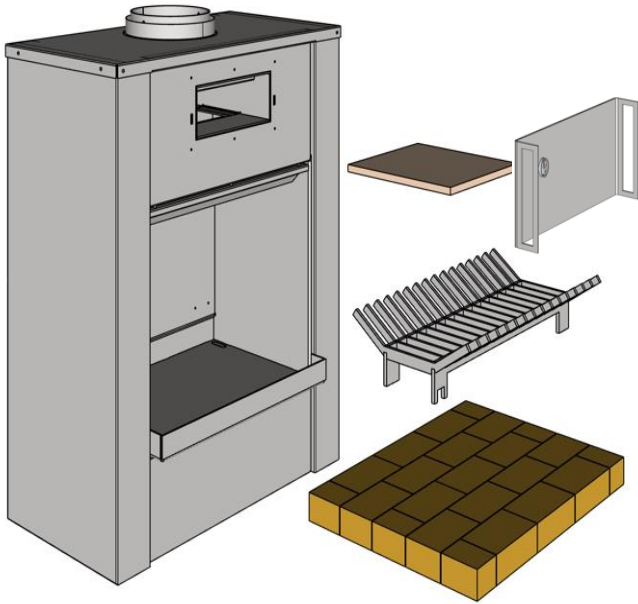
8. Appliance ready to be disassembled. Note: The details below do not show the woodbox inner panel or the woodbox bracket that will remain fixed to the Side panel.



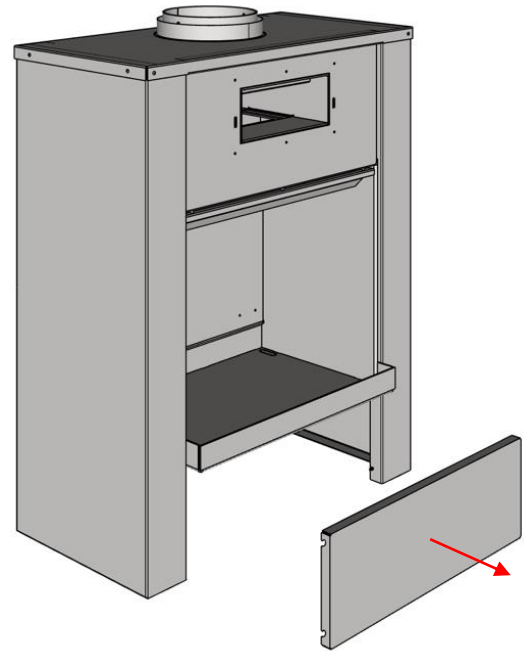
To open door, lift up and out in one movement.



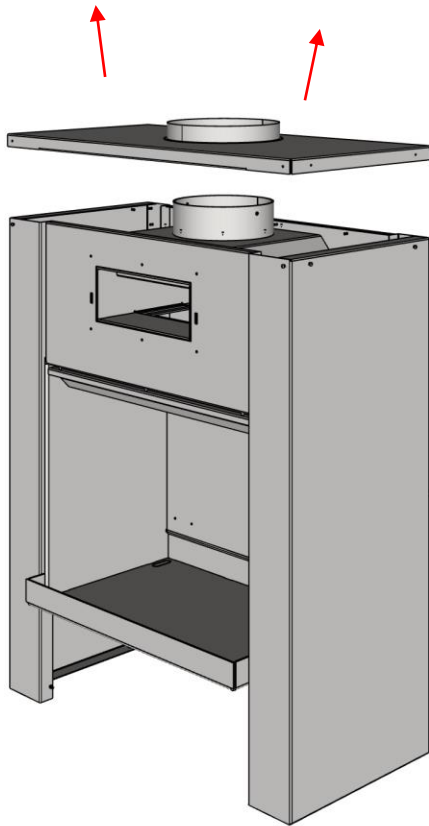
To remove door, lift open door up and out in one movement.



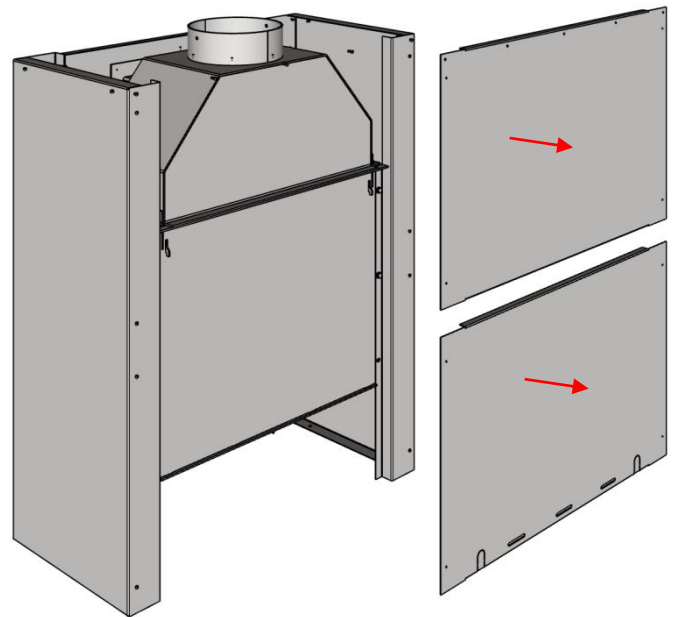
1. Remove door, oven tile, grate and fire bricks. Take a photo of the fire bricks set-up, as you'll need it later.



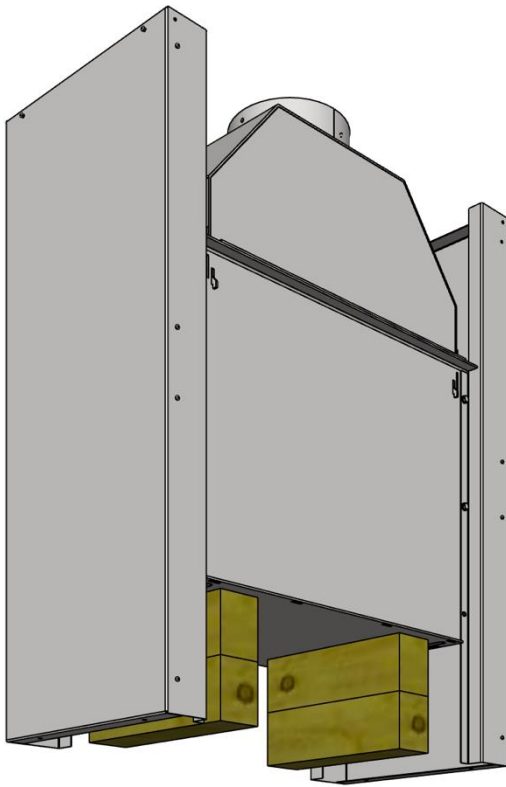
2. Remove the front lower panel. The front lower panel hangs on bolts. Carefully lift the front lower panel up 10mm and pull it away from the front of the fire in one movement.



3. Remove the top panel (11 x 5mm countersunk cap screws).

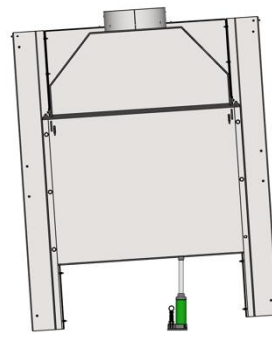


4. Remove the rear top panel and then the rear lower panel (4 x 5mm countersunk cap screws each panel).

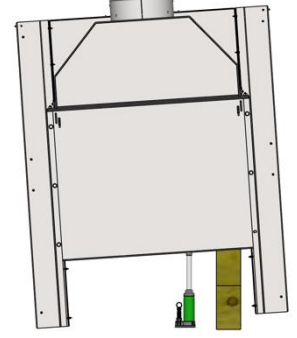


5. Lift from under the firebox until the side panels are free from the ground and support the fire.

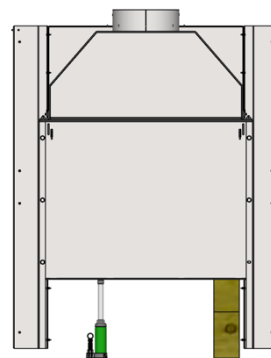
Handy tip:
Use a car jack to lift one side at a time.



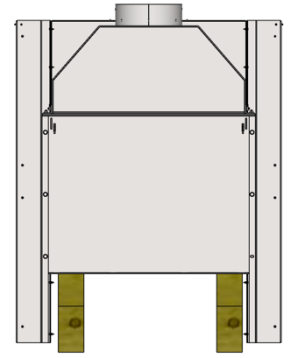
Lift



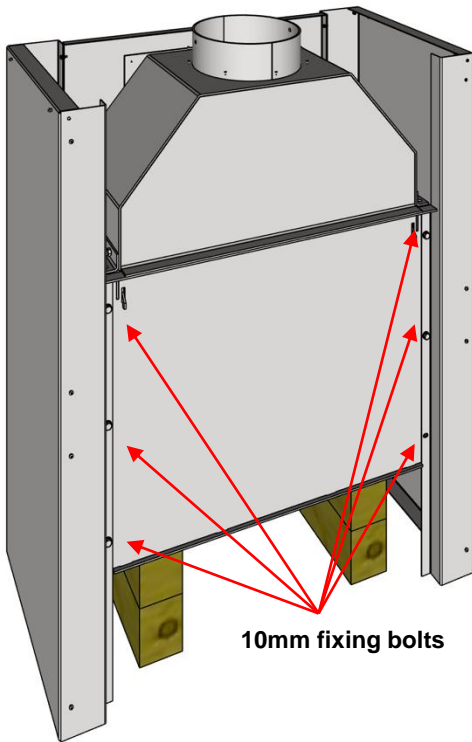
Support



Lift



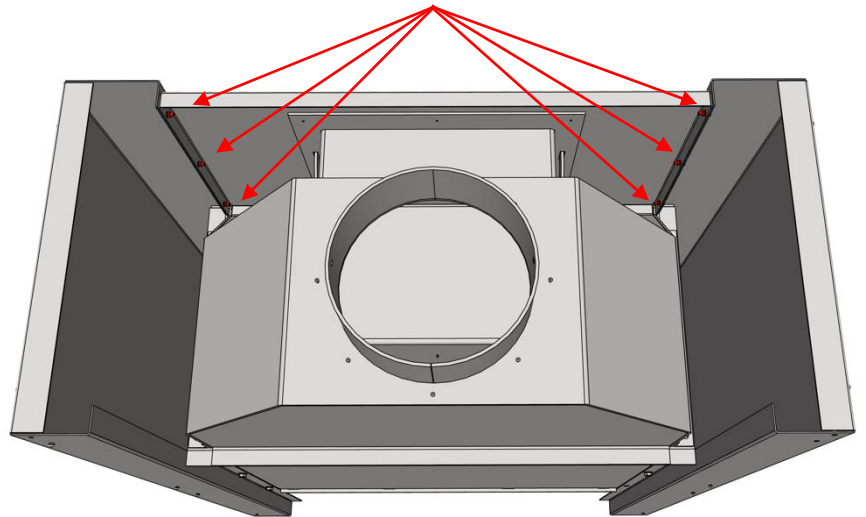
Support



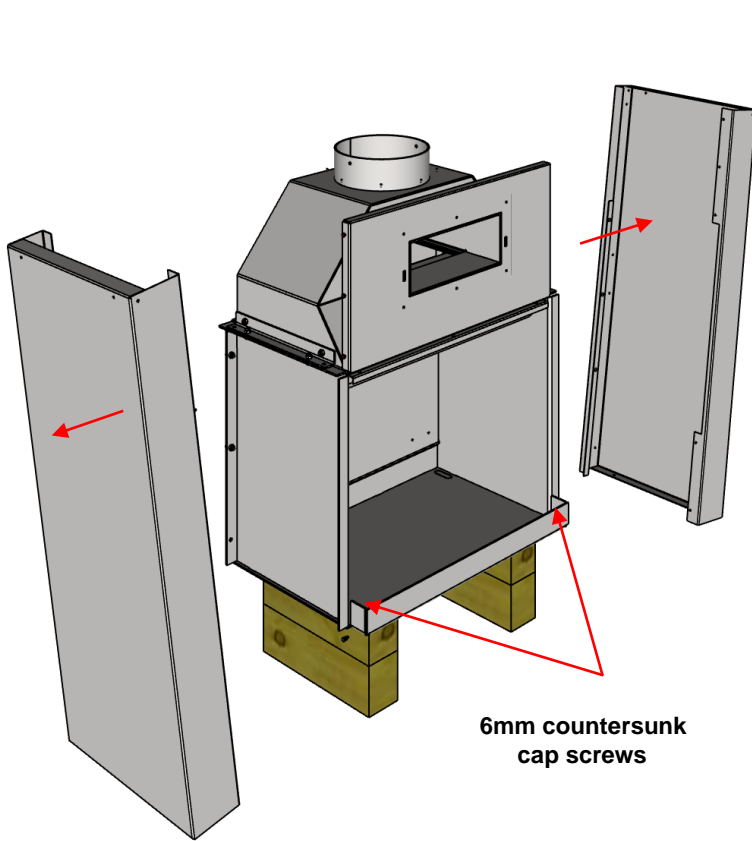
10mm fixing bolts

6. Remove the bolts that hold the side panels to the fire box (3 x 10mm bolts at each side of the firebox).

5mm fixing nuts and bolts

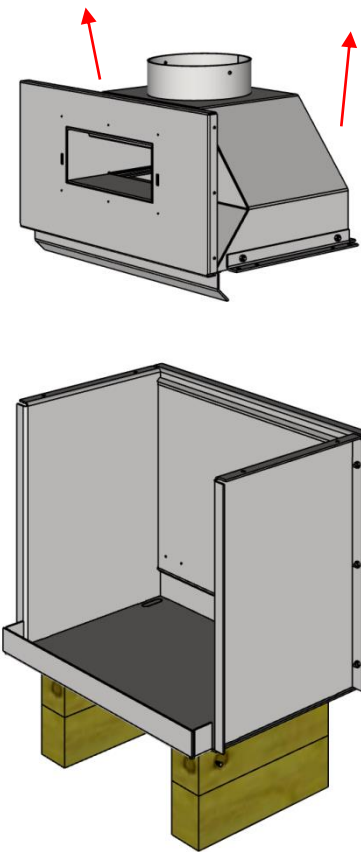


7. Remove the nuts and bolts that hold the side panels to the front top panel. 3 x 5mm nuts and bolts at each side of the firebox.

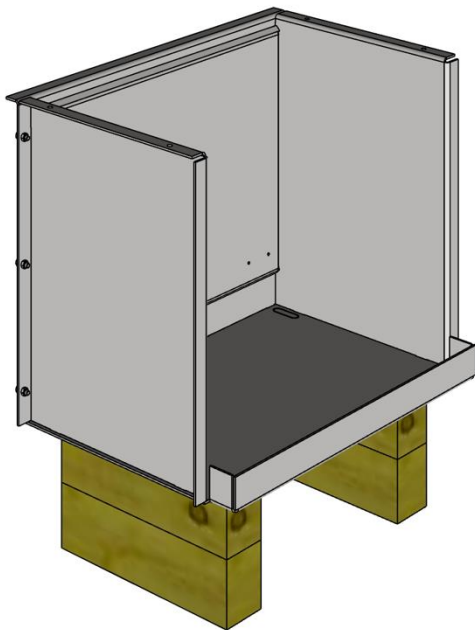


6mm countersunk cap screws

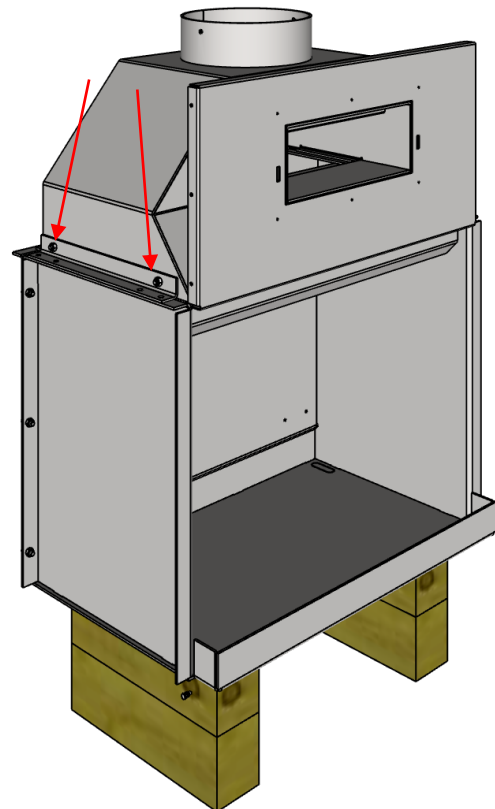
8. Remove the side panels. (2 x 6mm countersunk cap screws each side).



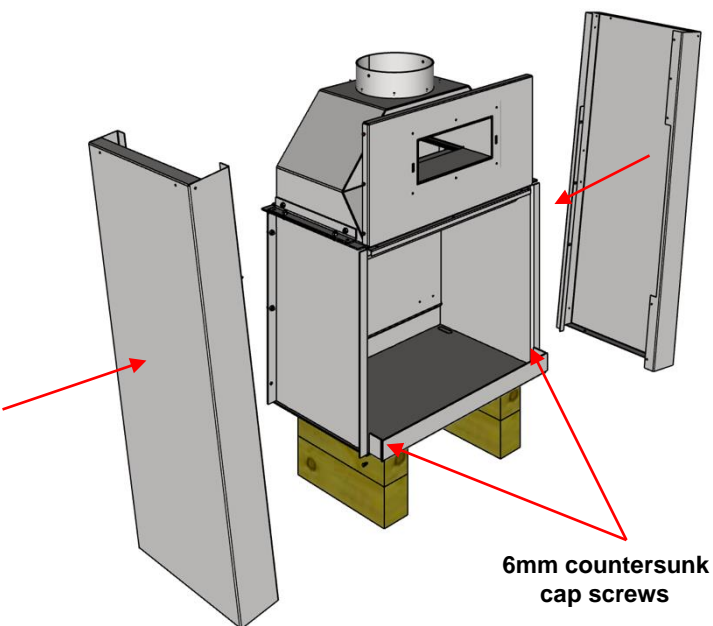
9. Remove the gable with the front top panel attached (3 x 10mm bolts at each side of the firebox). Requires 4 x people one at each corner



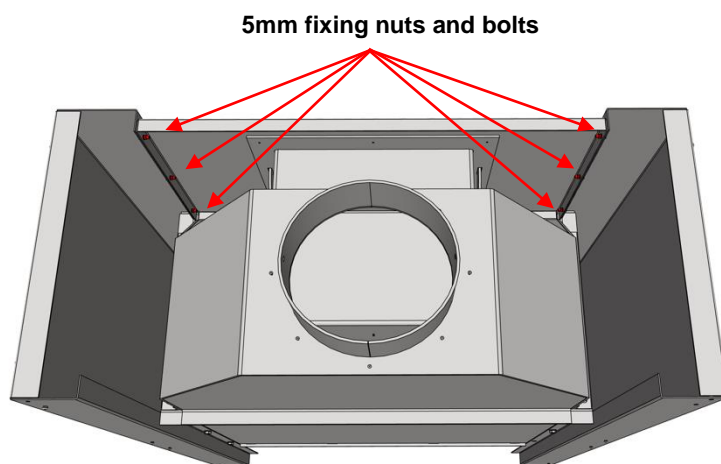
10. Carry the firebox into position. Requires 4 x people, one at each corner.



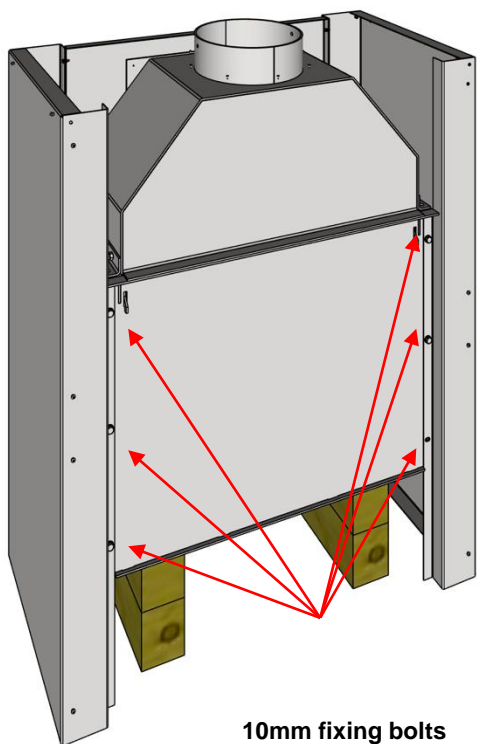
11. Fix the gable (with the front top panel attached) to the firebox (2 x 10mm bolts at each side of the firebox). Requires 4 x people, one at each corner.



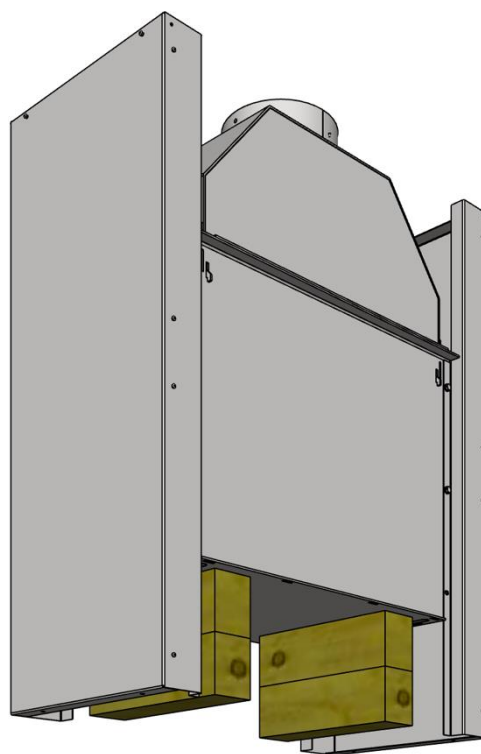
12. Fit the side panels. (2 x 6mm countersunk cap screws each side).



13. Fit the nuts and bolts that hold the side panels to the front top panel. 3 x 5mm nuts and bolts at each side of the firebox.

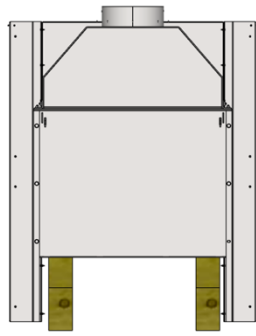


14. Bolt the side panels to the firebox (3 x 10mm bolts at each side of the firebox).

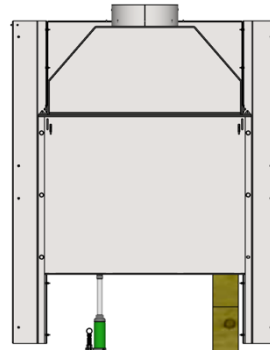


15. Remove the supports and lower the firebox until its level and the side panels are on the ground and in position. Take care not to damage the powder-coating on the lower edge of the side panels.

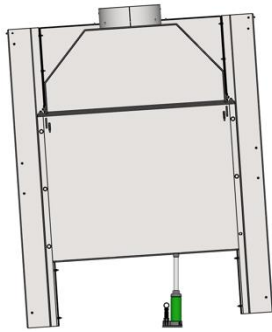
Handy tip:
Use a car jack and lower one side at a time.



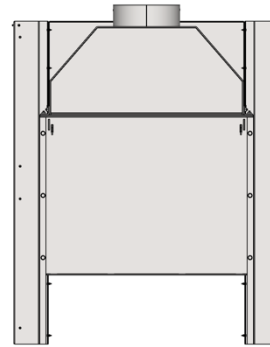
Supported



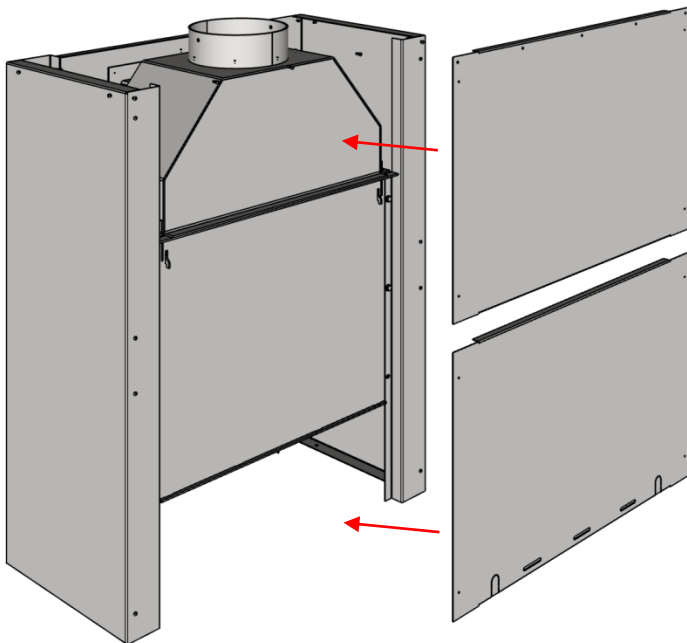
Remove support and lower



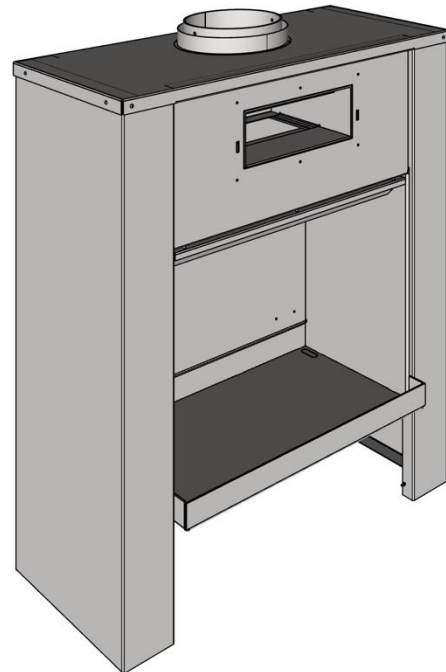
Remove support and lower



In position

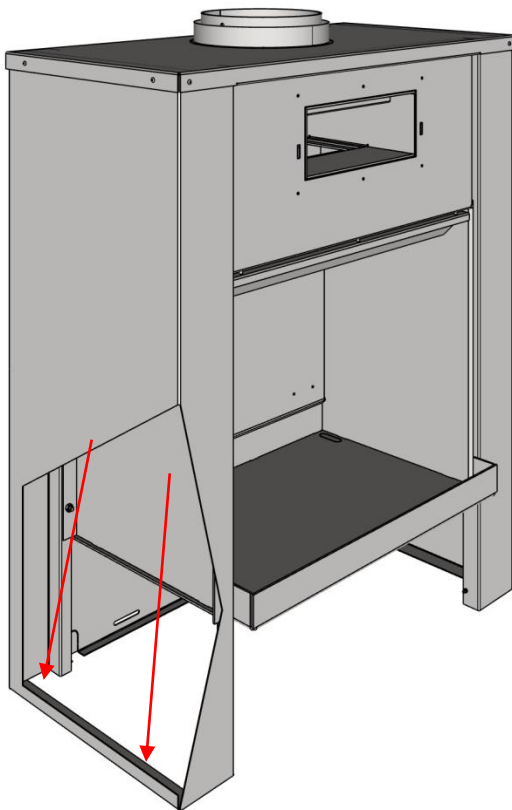


**16. Fit the rear lower panel and then the Rear top panel (4 x 5mm countersunk cap screws each panel).
NOTE: Loosely fit all the cap crews before tightening.**



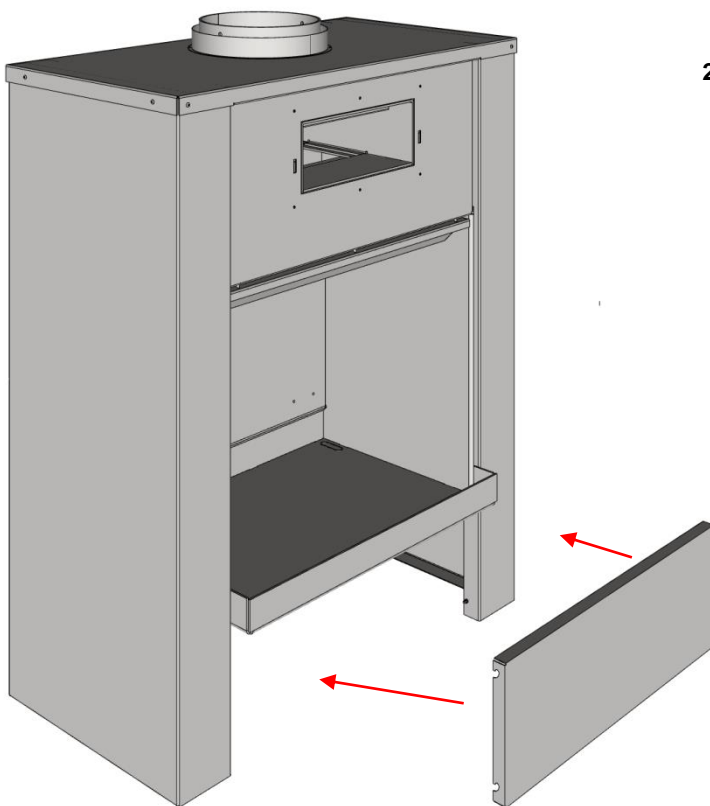
**17. Fit the top panel (11 x 5mm countersunk cap screws).
NOTE: Loosely fit all the cap crews before tightening.**

Step 4: Fix appliance into position



1. Fix the appliance into position

- Position the appliance and ensure that it complies with the minimum clearances required (100mm on all sides) to the surrounding enclosure.
- In order to provide maximum positioning flexibility, the base has two 30mm long slots in each side panel.
- Access the fixing holes for the front under the firebox (with the front lower panel removed). The drill will fit up in to the cavity between the firebox and the side panels.
- Mark out and drill fixing holes through the 30mm slots in the base. Ensure holes are drilled in the centre of the slots to allow maximum positioning flexibility. Clear out any debris from drilling.
- Ensure the appliance is level and pack up corners to suit where necessary. Fix bolts /screws into position. Check and ensure unit is level.
- **NOTE:** If this appliance is positioned on a combustible surface see step 5 details below.

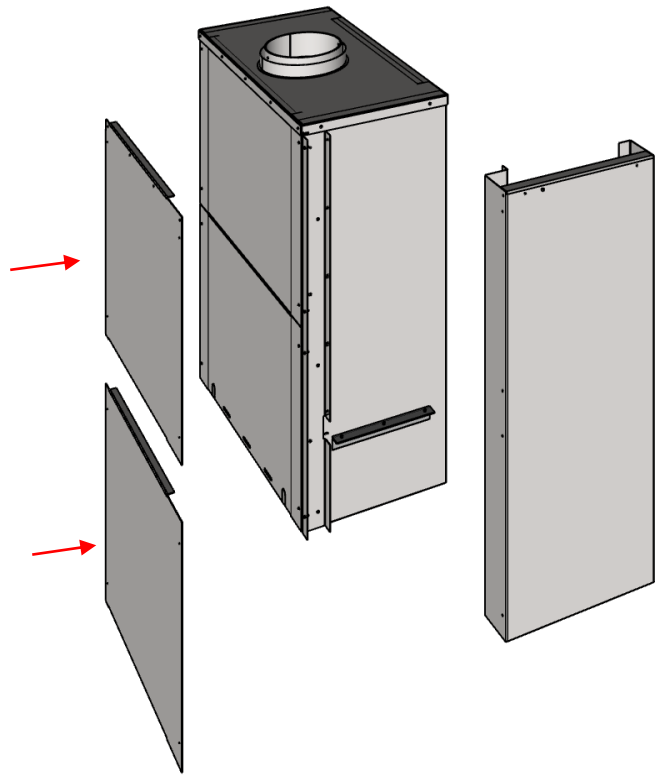


2. Fit front lower panel.

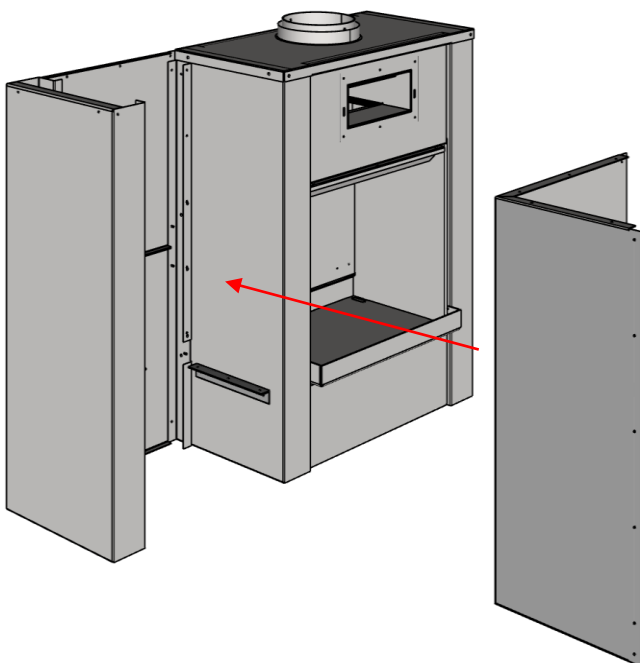
- The front lower panel hangs on bolts.
- In one movement carefully push the panel into the cavity under the firebox until it meets the fixing bolts then lower the panel down and into position on the 10mm bolts.
- **NOTE:** Do not fit front lower panel if the appliance is positioned on combustible materials. See step 5 below.



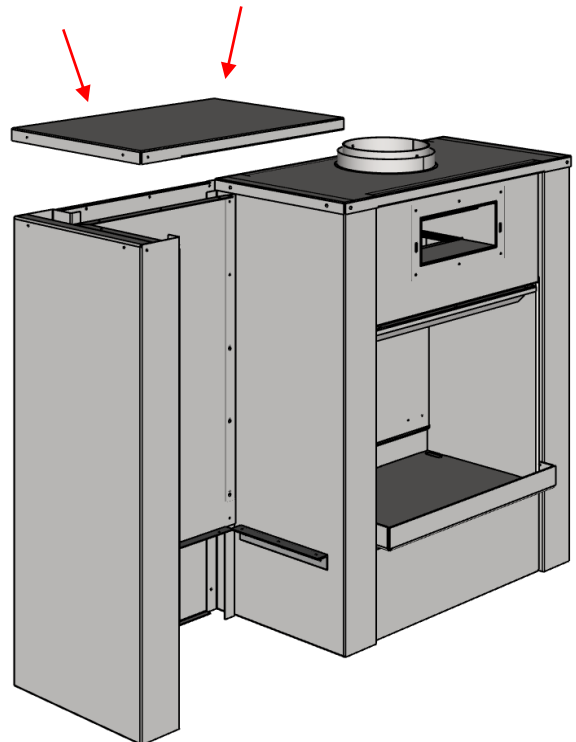
3. Appliance ready to be reassembled.



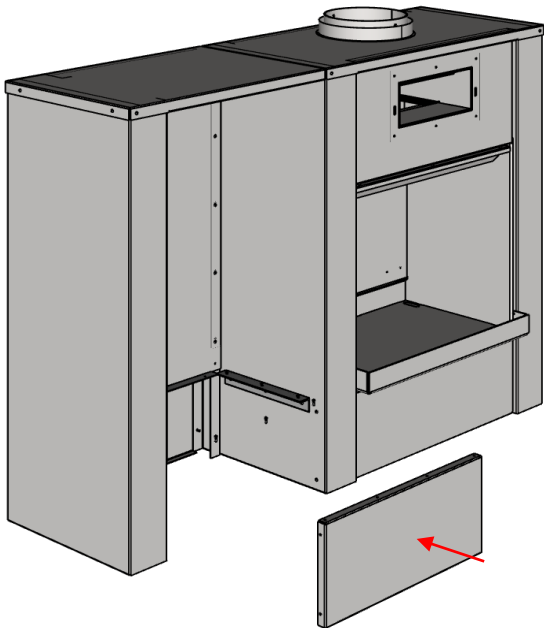
4. Fit the woodbox rear lower panel and then the woodbox rear top panel (4 x 5mm countersunk cap screws each panel).



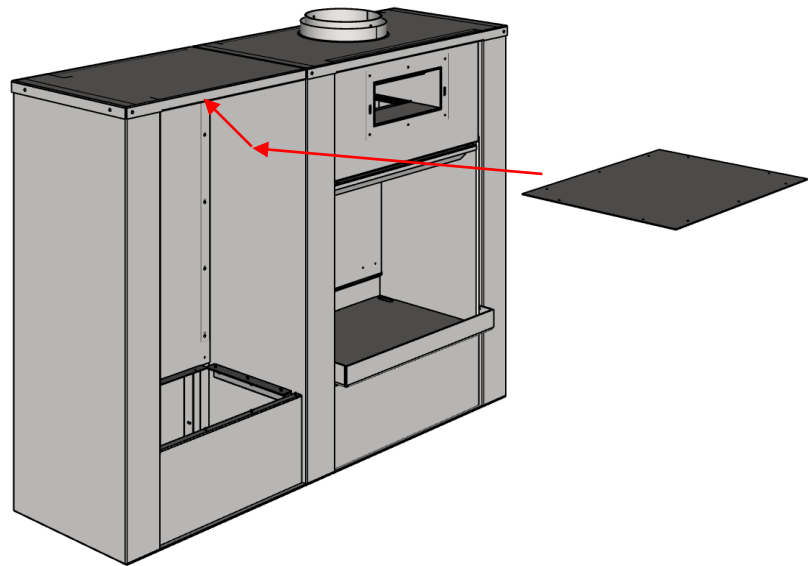
5. Fit the woodbox inner panel (12 x 5mm countersunk cap screws).



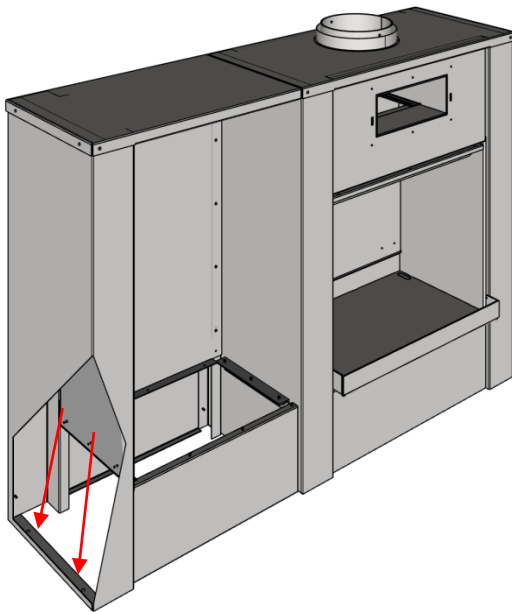
6. Fit the woodbox top panel (9 x 5mm countersunk cap screws).



7. Fit the woodbox front lower panel. (2 x 5mm cap screws at each side).

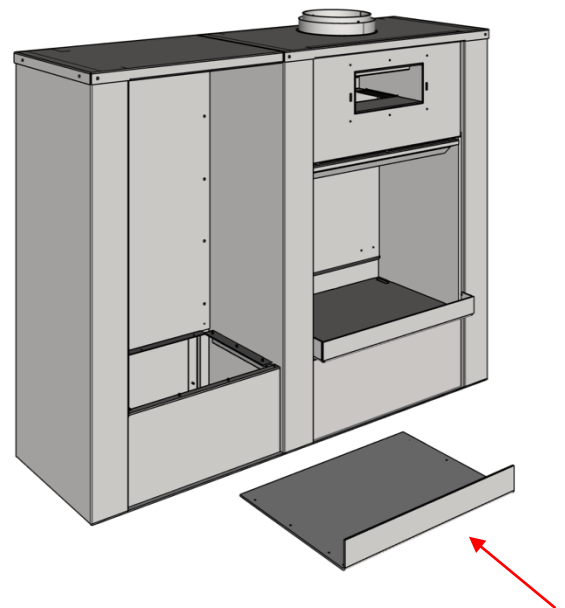


8. Fit the woodbox closer panel inside the top of the woodbox (10 x 5mm countersunk cap screws).



9. Fix the woodbox into position

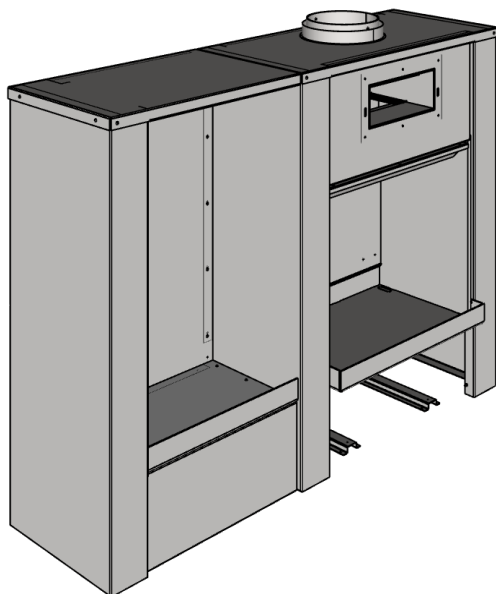
- In order to provide maximum positioning flexibility, the base has two 30mm long slots in the base of the woodbox side panel.
- Access the fixing holes from the front woodbox opening (with the woodbox hearth plate removed).
- Mark out and drill fixing holes through the 30mm slots in the base. Ensure holes are drilled in the centre of the slots to allow maximum positioning flexibility. Clear out any debris from drilling.
- Ensure the appliance is level and pack up corners to suit where necessary. Fix bolts /screws into position. Check and ensure unit is level.



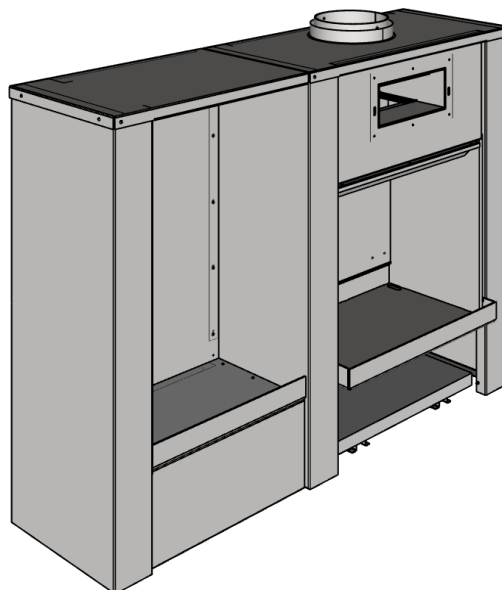
10. Fit the woodbox hearth plate (7 x 6mm countersunk cap screws) and firebricks

Step 5: Fit hearth (optional)

AAC heat barrier and hearth will be required if the appliance is to be positioned onto combustible materials.

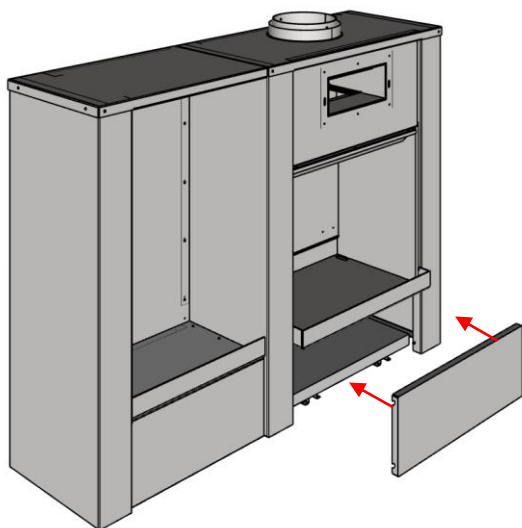


1. Fix the AAC heat barrier supporting brackets into position in accordance with technical specifications. The heat barrier brackets have 4 x fixings holes each. 5mm screws/bolts.

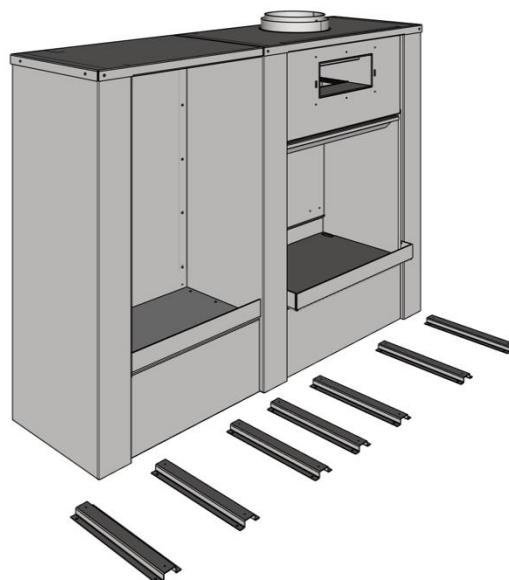


2. Fix AAC heat barrier panel to steel supporting brackets. Countersink 2 x 5mm x 65mm long steel screws per bracket.

NOTE: Ensure fixing bolts/screws don't extend past and into the base under the AAC supporting brackets.



3. Fit front lower panel. The front lower panel hangs on bolts. In one movement carefully push the panel into the cavity under the firebox until it meets the fixing bolts then lower the panel down and into position on the 10mm bolts.

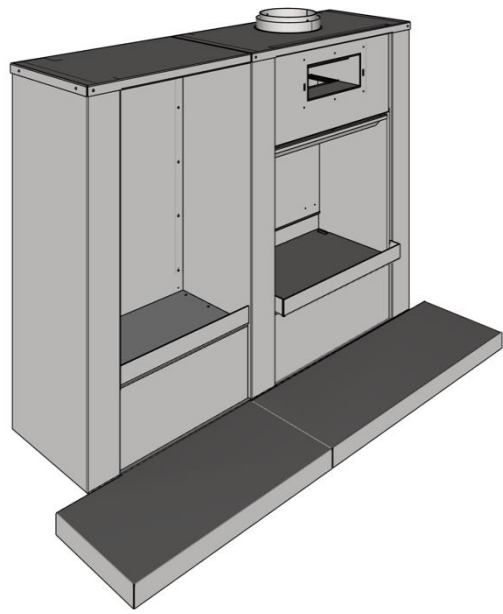


4. Fix the AAC hearth supporting brackets into position in accordance with technical specifications. The hearth brackets have 4 x fixings holes each. 5mm screws/bolts.



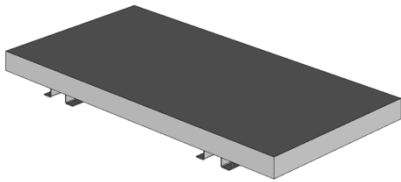
5. Fix hearth AAC panel to steel supporting brackets. Countersink 2 x 5mm x 65mm long steel screws per bracket.

NOTE: Ensure fixing bolts/screws don't extend past and into the base under the AAC supporting brackets.

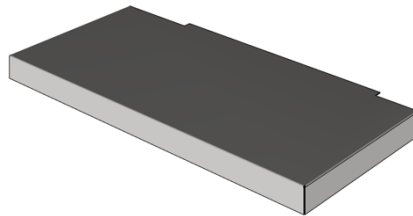


6. Finish hearth AAC panel in accordance with technical specifications. (Shown with box-folded steel hearth cover).

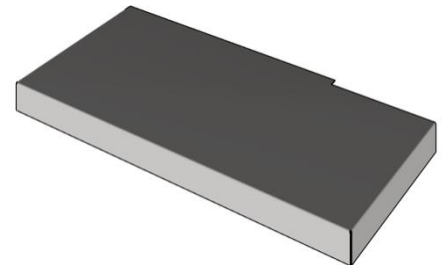
Optional extras:



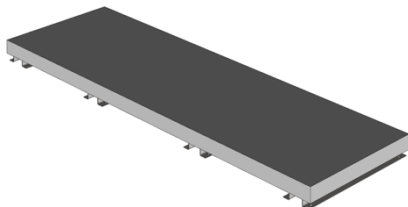
AAC heat barrier.
Includes supporting brackets.



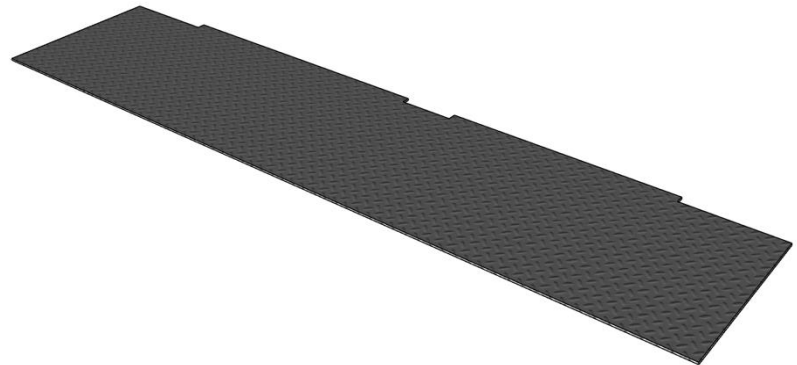
Box-folded steel appliance hearth panel.
Includes powder-coating.



Box-folded steel woodbox hearth panel.
Includes powder-coating.



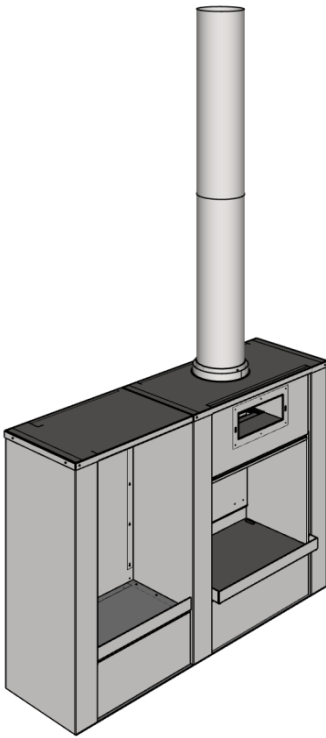
AAC hearth.
Includes supporting brackets.
1 x appliance and 1 x woodbox.



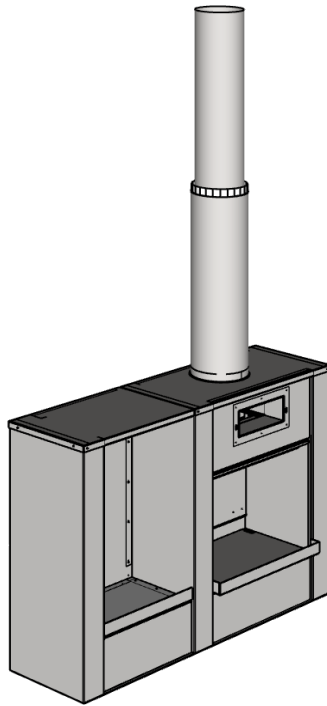
Tread plate aluminium hearth panel.
Includes powder-coating.

Step 6: Fit flue

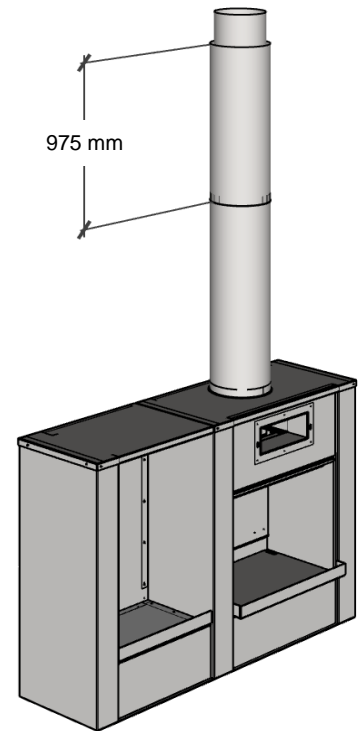
Each flue joint must have a minimum of 4 x stainless steel rivets.



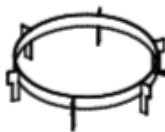
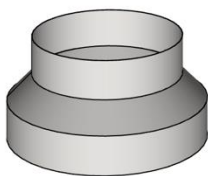
1. Run the 2 x flues. The crimped end runs into the firebox spigot.



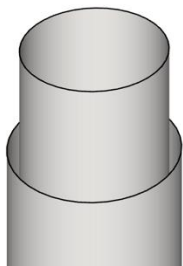
2. Run the first casing. The crimped end is at the top. The casing fits over the spigot on the outer rear panel. Position the seam in the casing to the least viewed direction of the appliance.



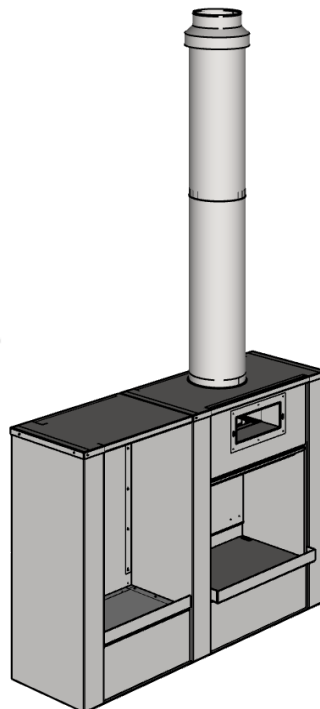
3. Run the second casing. The casing fits over the crimped end on the first casing.



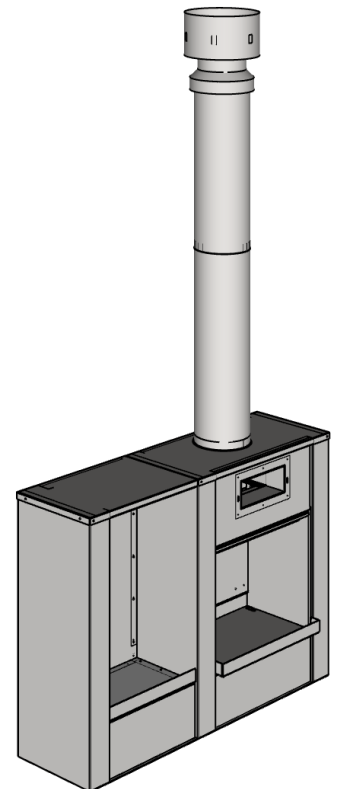
Top spacer



4. Fit the top spacer over the flue and into the casing.

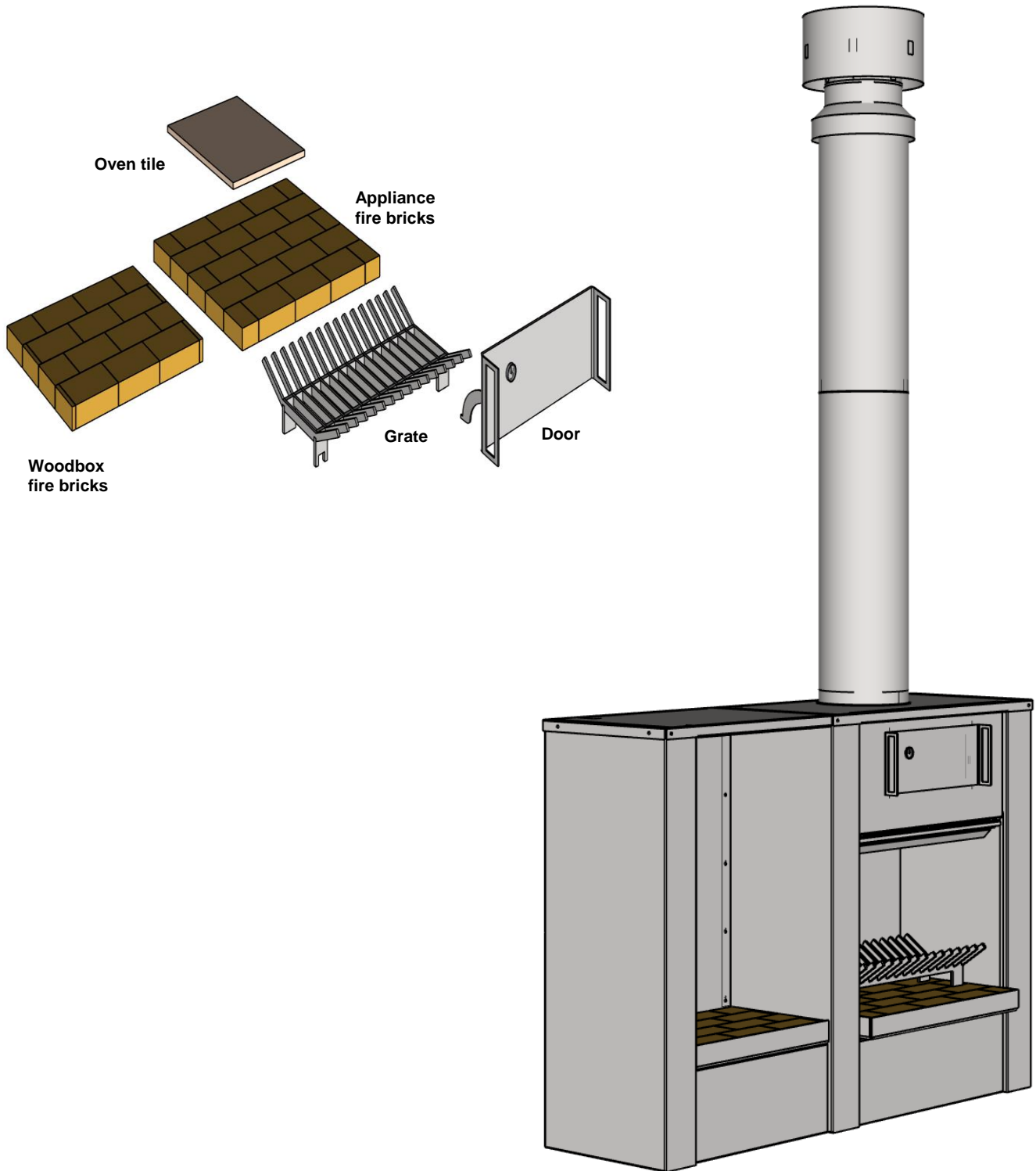


5. Fit the casing cover.



6. Fit the cowl.

Step 7: Fit oven tile, door, fire bricks and grate



Fit the oven tile.

Fit the door by reversing the door removal process described earlier.

Replace the firebricks. Refer to the photos you took earlier.

Place the grate in the centre of the fire cavity.

Appliance is now ready to use.

Step 8: How to operate appliance

- Following the Operating Instructions on the next page, show the owner how to operate the baffle.
- If the owner is not available, leave this manual by the appliance.

OPERATING INSTRUCTIONS

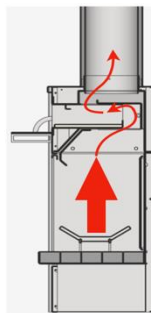
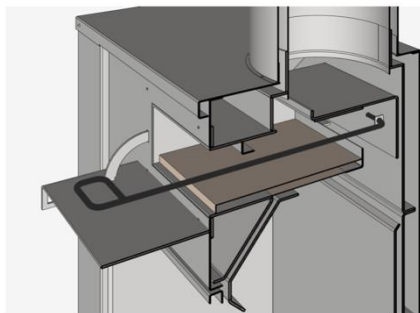
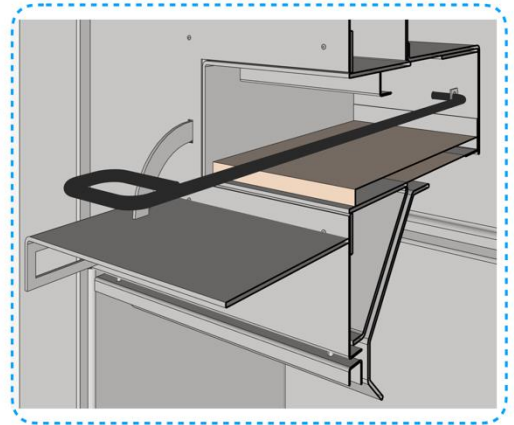
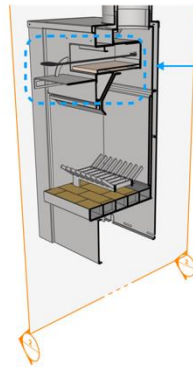
- The WD55 has an integrated baffle, which controls the amount of heat and smoke that enters the cooking area.



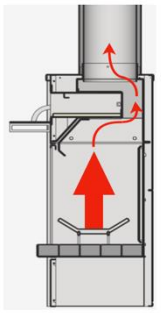
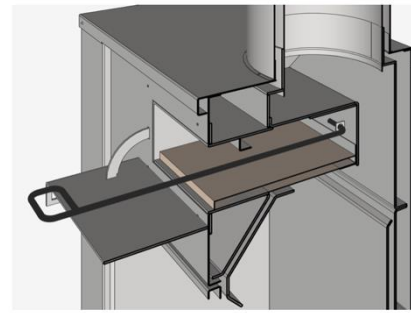
Baffle Hook



Pizza Paddle



Push baffle back to allow heat and smoke to enter the cooking area.



Pull the baffle forwards to stop/adjust heat and smoke entering the cooking area.

- It is recommended that the baffle is closed (pulled forward) when lighting the fire, as this stops small amounts of ash entering the cooking area. Get the fire going then open the baffle (by pushing it backwards) to heat the cooking area. When the cooking area is hot (allow 15 minutes), close the baffle (pulled forward) and place the food inside. Your personal cooking style may vary.
- Ongoing maintenance. It is recommended that the flue be swept every year (some insurance companies require this), or more often if required. Fire bricks will deteriorate over time and must be regularly checked for cracking and movement. Repair or replace as required.

TROUBLESHOOTING

Problem	Probable Cause	Action
Smoke is entering room	<ol style="list-style-type: none"> Poor quality or damp wood Flue damper is closed Draft flowing into or across fire Flue terminates at poor position outside (eg. windy part of roof) A nearby extractor fan is sucking smoke from the fire 	<ol style="list-style-type: none"> Change wood Open flue damper Remove source of draft Reposition flue termination Switch off or reposition extractor fan
Baffle stuck or won't adjust	Build up of rust scale	Lightly tap the rear of the baffle to loosen rust

PRODUCT WARRANTY

IMPORTANT: Evidence of original purchase is required for warranty service.

WARRANTOR: 'The Fire Dept.' (Landscape Elements Ltd)
85 Newton Road
Mount Maunganui
PO Box 10275, Bayfair, Mount Maunganui

ELEMENT OF WARRANTY

'The Fire Dept.' warrants to the original retail owner for the duration of this warranty, it's fireboxes, gas burner tray, lighters, (herein after referred to as the Product) to be free from defects in materials and craftsmanship with only the limitations or exclusions set out below.

WARRANTY

This warranty will be deemed invalid if the Product is;

- (A) Installed by someone other than an authorised Fire Dept agent.
- (B) Not operated appropriately or "over-fired" in a manner resulting in the firebox operating excessively hot.
- (C) Not serviced and maintained by a certified gas fitter every 12 months.
- (D) Damaged by accident, neglect or misuse,
- (E) Repaired by someone other than an authorised Fire Dept repair agent for a defect or malfunction covered by this warranty.
- (F) Modified, altered or used as part of any conversion kits, subassemblies, or any configurations not sold by 'The Fire Dept.'.
- (G) The product contains fire bricks and has not been subjected to the recommended first start-up and run-in procedure.
- (H) Used in conjunction with any equipment or parts or as part of a system not manufactured or supplied by 'The Fire Dept.'.
- (I) External powder-coating within 200m of the high tide mark and not lightly washed with warm soapy water every three months.

Indoor appliances (Gas & Wood)

'The Fire Dept.'. warrants the mild steel firebox, galvanised steel outer skin and RHS Duragal steel support frame against defective materials and workmanship which would render it unfit for normal domestic use, from the date of purchase by the original consumer, for a period of 5 (five) years. Beyond normal heat-induced staining, tarnishing and mild warping, if a firebox, outer skin or support frame defect occurs, contact 'The Fire Dept.' and the defect will be repaired or replaced at our discretion with all costs covered.

'The Fire Dept.' warrants the SIT Pack (Gas regulator and controller) against defective materials and workmanship which would render it unfit for normal domestic use, from the date of purchase by the original consumer, for a period of 2 (two) years.

Components including fire medium, fans, tiles, glass and glass trim are warranted for a period of 2 (two) years from the date of original purchase, against defective materials and workmanship.

Outdoor appliances (Gas & Wood)

'The Fire Dept.' warrants the Mild Steel firebox, galvanised steel outer skin and RHS Duragal Steel support frame against defective materials and workmanship which would render it unfit for normal domestic use, from the date of purchase by the original consumer, for a period of 2 (two) years. Beyond normal heat-induced staining, tarnishing and mild warping, If a firebox, outer skin or support frame defect occurs, contact 'The Fire Dept.' and the defect will be repaired or replaced at our discretion with all costs covered.

'The Fire Dept.' warrants the SIT Pack (Gas regulator and controller) against defective materials and workmanship which would render it unfit for normal domestic use, from the date of purchase by the original consumer, for a period of 2 (two) years.

Components including fire medium, fans, tiles, glass and glass trim are warranted for a period of 2 (two) years from the date of original purchase for domestic use, against defective materials and workmanship.

STATEMENT OF REMEDY

In the event that the Product does not conform to this warranty at any time while this warranty is in effect, the Warrantor, at its discretion, will repair the defect or replace the part and return it to you without charge for parts or service. This warranty does not provide for reimbursement or payment of incidental or consequential damages.

This warranty does not in any way affect your rights under the Consumers Guarantee Act (New Zealand).