



WD60

**Installation Guide
Operating Instructions
Warranty**

WD60

Installation Guide, Operating Instructions & Warranty

IMPORTANT!

This wood appliance must be installed to **AS/NZS 2918:2001** by a qualified person and in accordance with these instructions. Failure to install the appliance correctly will void your warranty and may cause a fire. This appliance should not be modified under any circumstances.

It is recommended that you have this appliance serviced annually by a qualified technician.

Warranty repairs must be carried out by a 'The Fire Dept.' authorised technician.

This appliance must ALWAYS terminate/flue outdoors.

Young children, elderly or infirm should be supervised to ensure that they are careful with the appliance.

Clothing and other flammable materials should never be placed near the appliance.

Please note that parts (near the flame) of this appliance become extremely hot during operation and can result in serious injury and burns if touched. It is therefore recommended that a fireguard complying with BS 8423:2002 is used in the presence of young children, the elderly or infirm.

During the installation of this appliance, it may be necessary to manually handle heavy components (greater than 25kg). It is the installer's responsibility to ensure appropriate manual-handling techniques are employed.

This installation guide must be read in conjunction with the technical specifications for this appliance.

The WD60 installation process consists of 9 steps

	Page
Step 1: Ensure all components are correct and undamaged	3
Step 2: Pre-installation checklist	4
Step 3: Fit steel rear AAC supporting brackets into cavity	5
Step 4: Fit rear AAC panel to steel support brackets	6
Step 5: Fit firebox, outer cavity box and outer panels into position	7
Step 6: Fit hearth (optional)	10
Step 7: Fit flue	11
Step 8: Insert ashpan into firebox cavity	12
Step 9: Show owner how to operate appliance	13
Operating Instructions	14
Troubleshooting	14
Warranty	15

Information in this installation guide may be subject to change without notice.
Please ensure you have the current version before beginning installation.

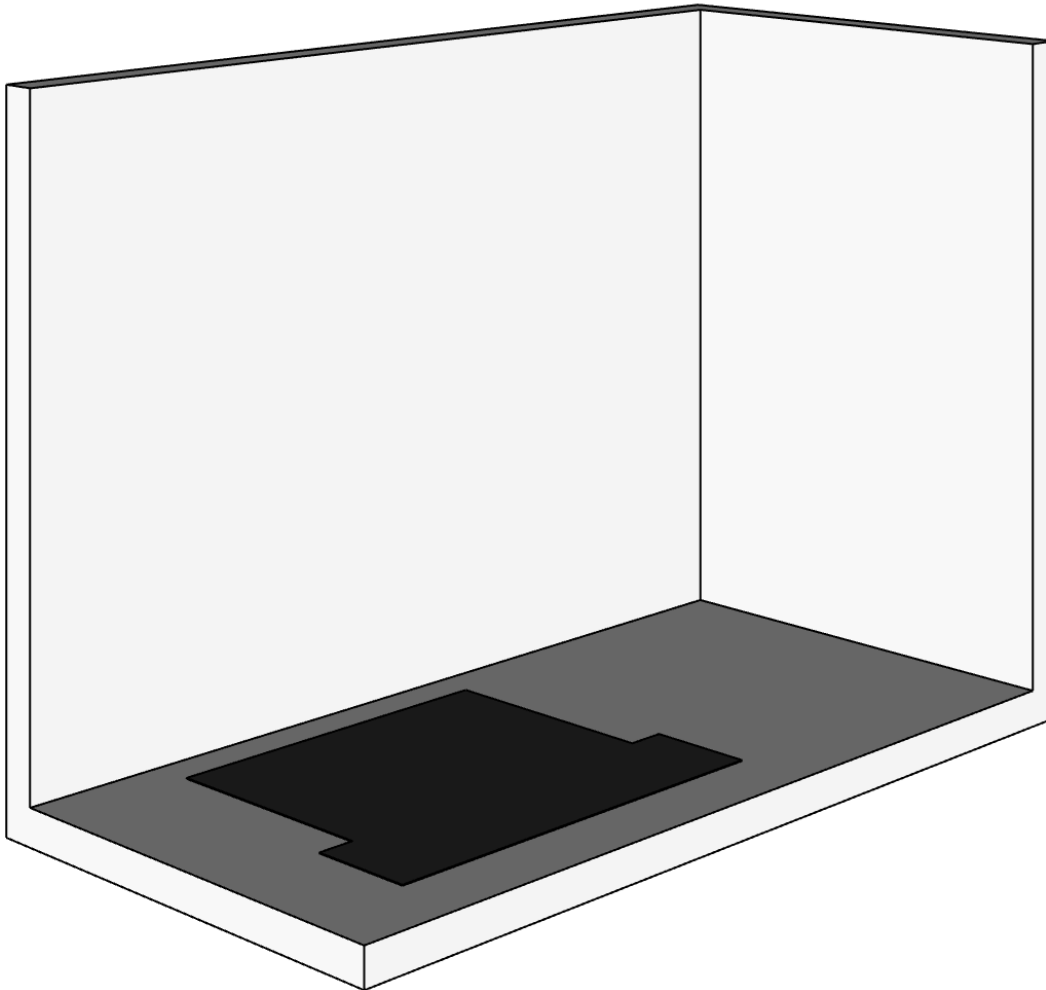
If you have any queries, please contact 'The Fire Dept.' on 0800 888 550

Step 1: Unpack and ensure all components are correct and undamaged

- Steel firebox.
- Outer cavity box.
- Outer fireplace panels.
- Ashpan.
- AAC panels.
- AAC supporting brackets.
- Flue kit.
- WD60 technical specifications (to be read in conjunction with this installation guide).

Step 2: Pre-installation checklist

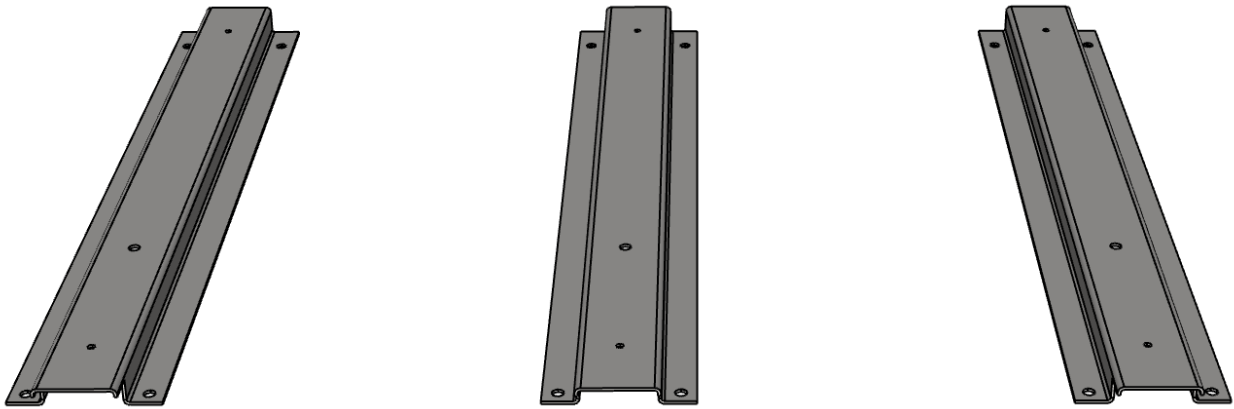
- Ensure clearances are correct – refer to technical specifications.
- Ensure hearth dimensions are correct – refer to technical specifications.
- Plan flue path.
- Ensure the base is strong enough to support the appliance.



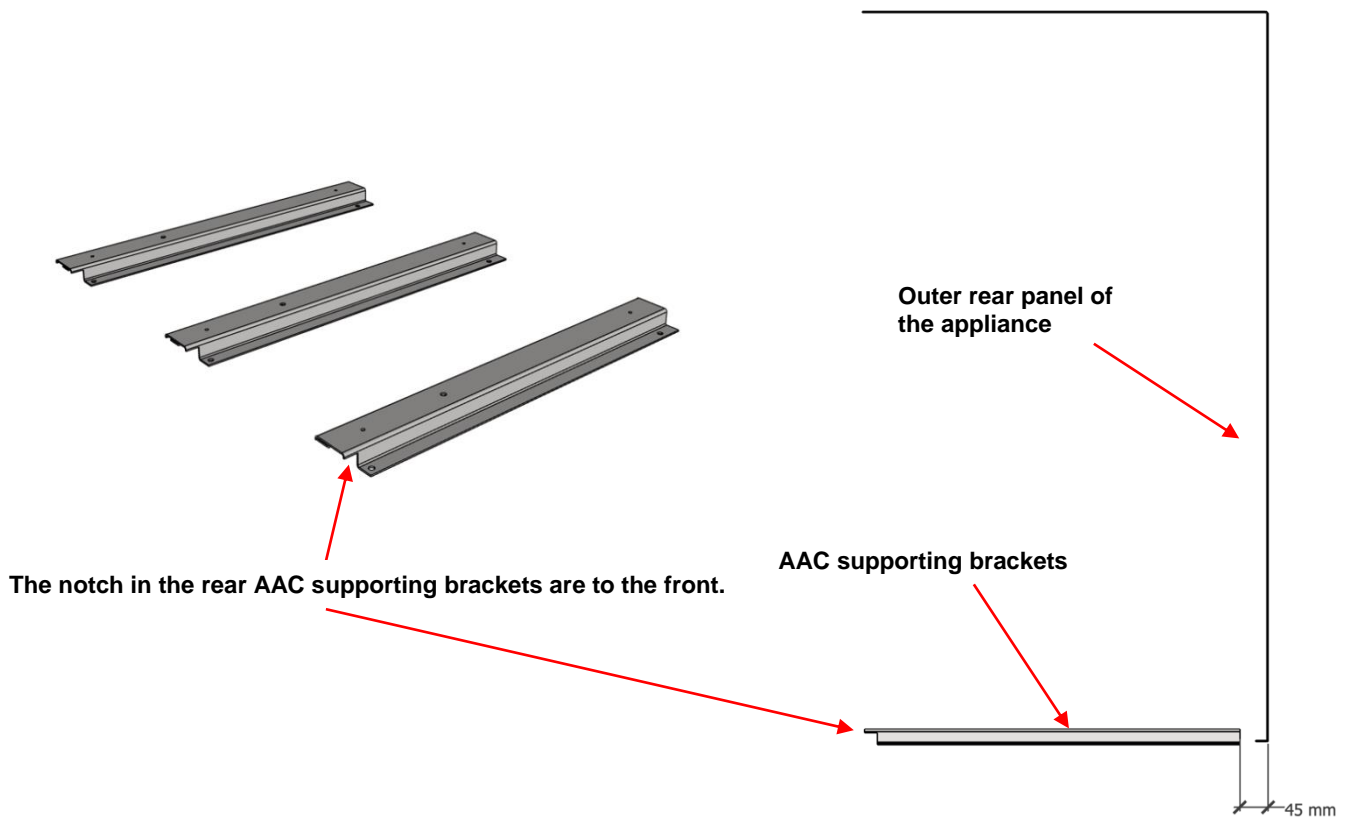
The starting point.

**Note: Ensure clearances are correct – refer to technical specifications.
Front hearth is required if the appliance is positioned onto or into
combustible materials**

Step 3: Fit steel rear AAC supporting brackets into position



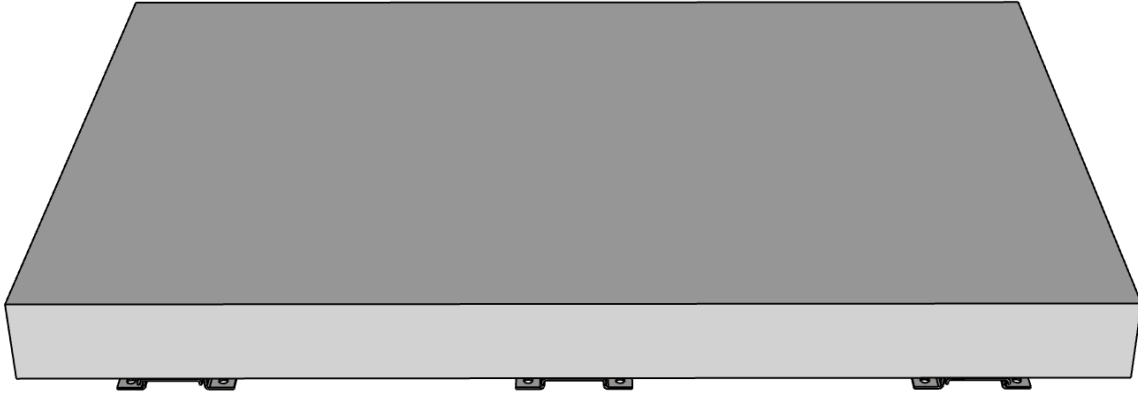
Fix the AAC rear supporting brackets into position in accordance with technical specifications
Brackets have 4 x fixing holes each. 6mm screws/bolts.



The back of the AAC supporting brackets are located and fixed into position 45mm forward of the rear panel of the appliance.

Step 4: Fix rear AAC panel to steel supporting brackets

- Base AAC panel supplied.
- Steel screws and wood screws supplied.

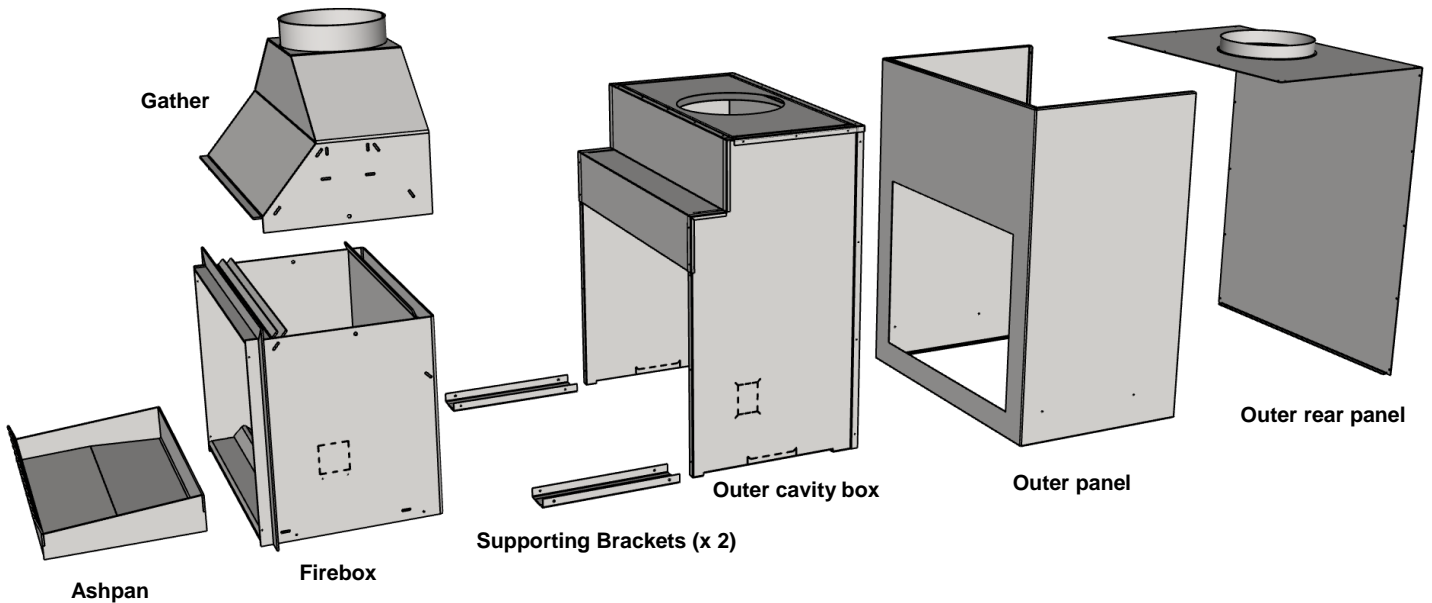


1. Fix base AAC panel to steel supporting brackets. Countersink 2 x 5mm 80mm long steel screws per bracket.

NOTE: ensure fixing bolts/screws don't extend past and into the base under the AAC supporting brackets.

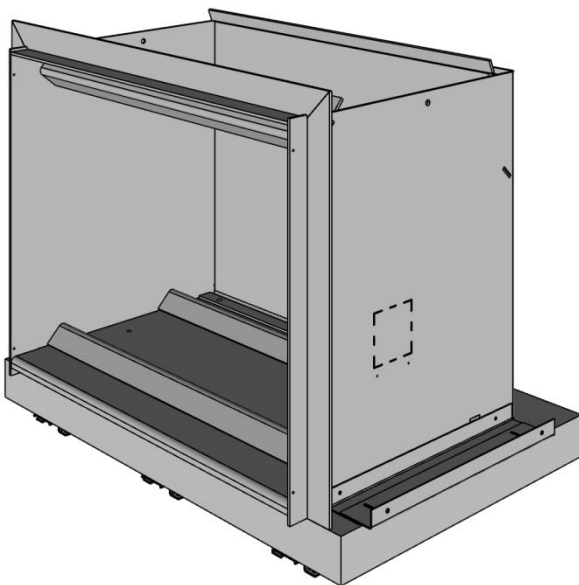
Step 5: Fit firebox, outer cavity box and outer panels into position

Important Safety Note: It may be necessary to manually handle heavy components (greater than 25kg). It is the installer's responsibility to ensure appropriate manual-handling techniques are employed.

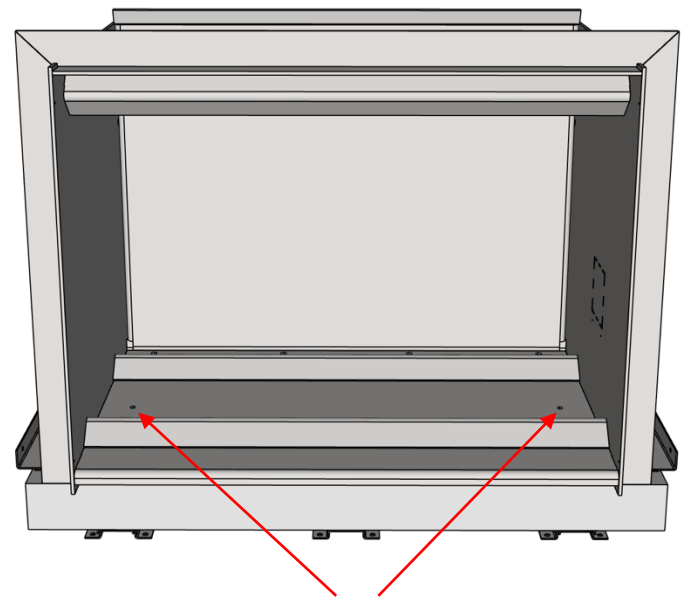


1. Disassemble the appliance by following the process below.

- Remove ashpan from firebox.
- Remove the outer rear panel (20 x 5mm countersunk cap screws).
- Remove the outer panel (2 x 5mm countersunk cap screws) each side.
- Remove outer cavity box.
- Remove gather (1 x 10mm bolt onto each top side of the firebox).

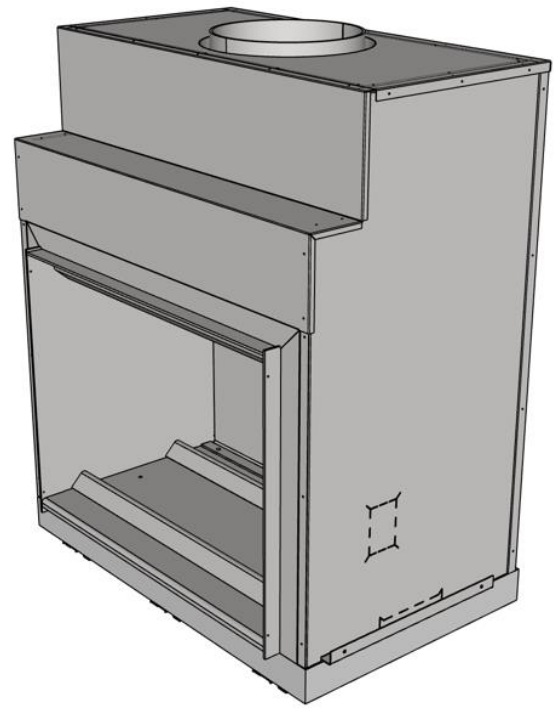
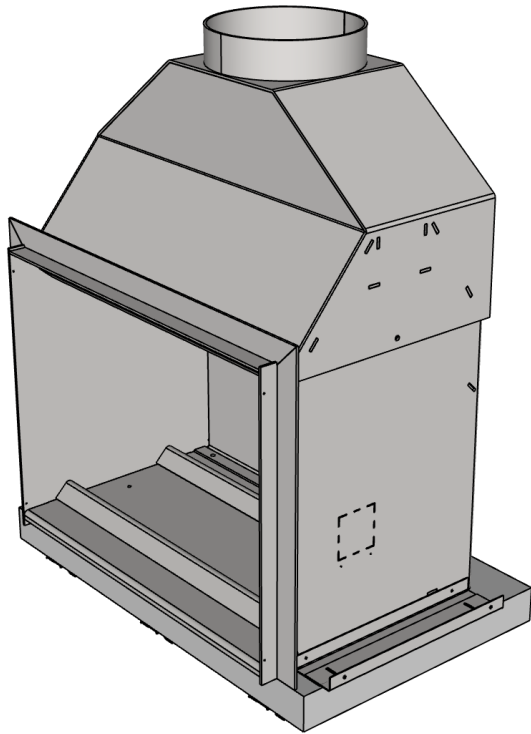


2. With a minimum of two people, place the firebox into position.



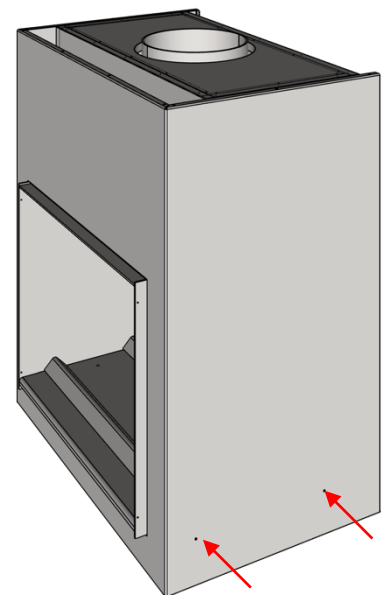
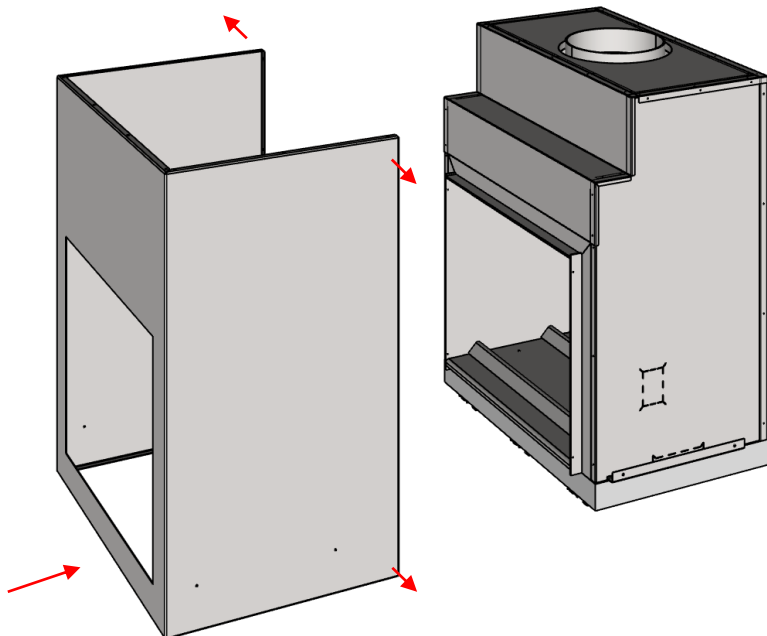
3. Fix the fire box through the AAC panel and into the AAC supporting brackets. 2 x 5mm x 120mm long self-drilling steel fixings.

NOTE: ensure fixing bolts/screws don't extend past and into the base under the AAC supporting brackets.



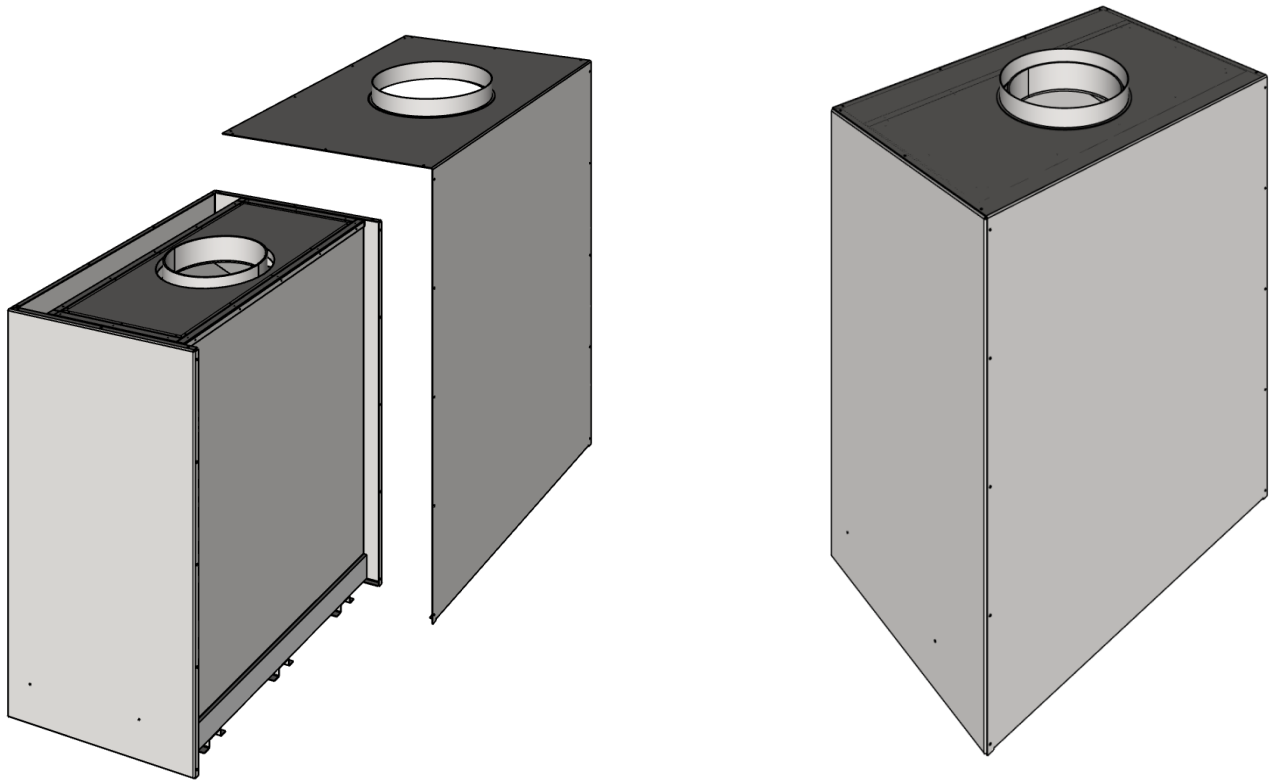
4. Lower the gather onto the firebox and bolt into position. 1 x 10mm bolt onto each top side of the firebox.

5. Lower the outer cavity box over the firebox.



6. Fit the outer panel.
Lift the outer panel in from the front.
The back edge (of each side of the outer panel) requires spreading apart to allow the outer panel to fit past the brackets.
Take care not to chip the bottom of the outer panel.

7. The outer panel is fixed to the brackets with 2 x 5mm countersunk cap screws at each side.

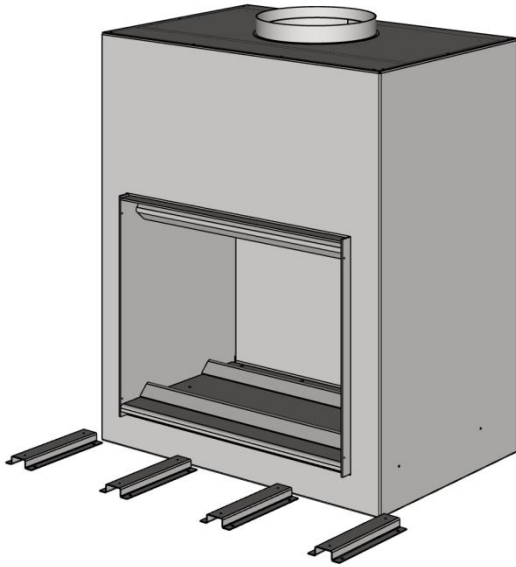


8. Fit the outer rear panel to the outer panel. 20 x 5mm countersunk cap screws.

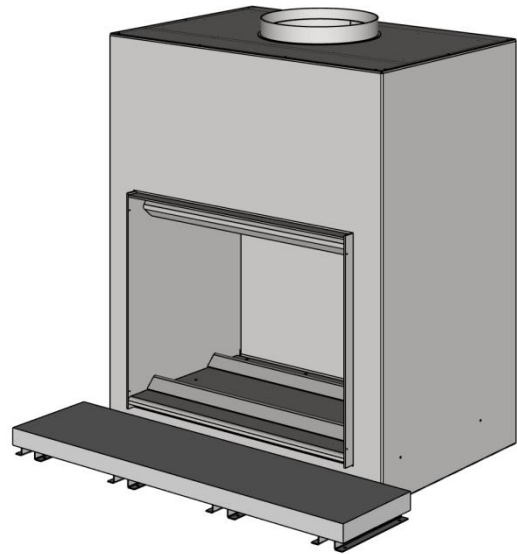
NOTE: Loosely fit all the cap crews before tightening.

Step 6: Fit hearth (optional)

A front hearth is required if the appliance is to be positioned onto or into combustible materials.

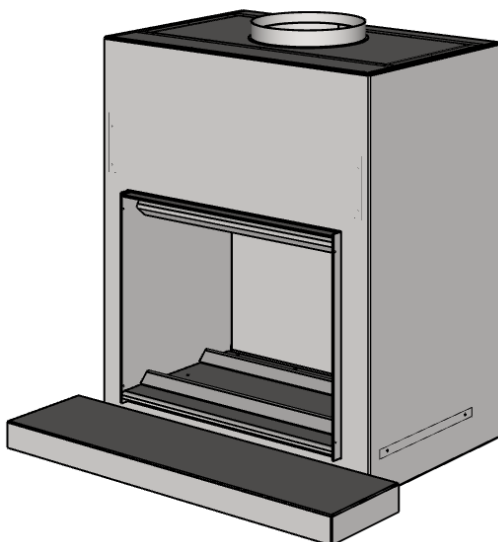


1. Fix the AAC hearth supporting brackets into position in accordance with technical specifications. The hearth brackets have 4 x fixings holes each. 6mm screws/bolts.

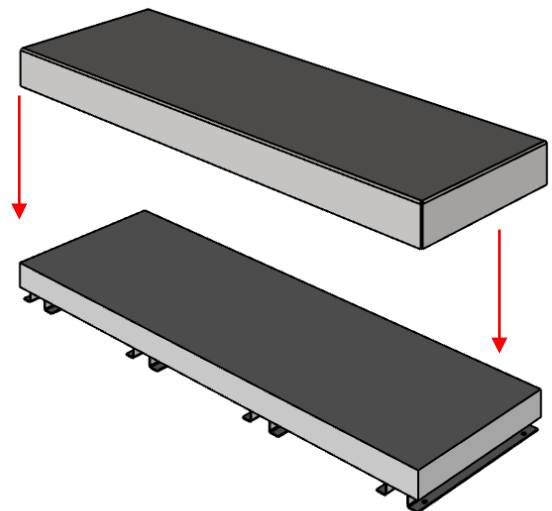


2. Fix hearth AAC panel to steel supporting brackets. Countersink 2 x 5mm x 65mm long steel screws per bracket.

NOTE: Ensure fixing bolts/screws don't extend past and into the base under the AAC supporting brackets.



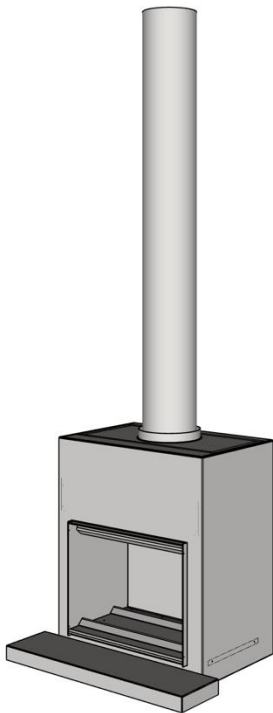
3. Finish hearth AAC panel in accordance with technical specifications (box-folded steel hearth cover example shown).



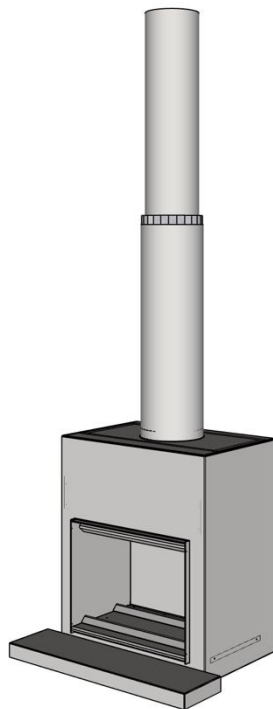
Example of optional extra:
Powder-coated box-folded steel hearth cover.

Step 7: Fit flue.

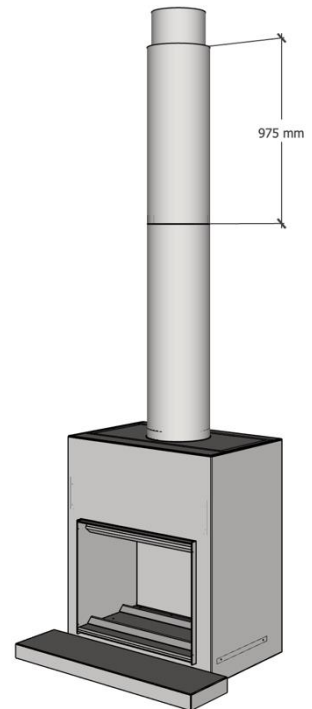
Note: each flue joint must have a minimum of 4 x stainless steel rivets.



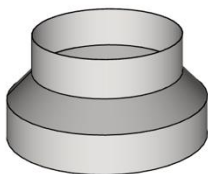
1. Run the 2 x flues.
The crimped end runs into the firebox spigot.



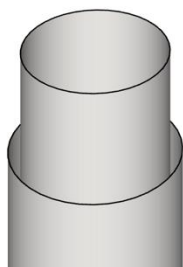
2. Run the first casing.
The crimped end is at the top. The casing fits over the spigot on the outer rear panel. Position the seam in the casing to the least viewed direction of the appliance.



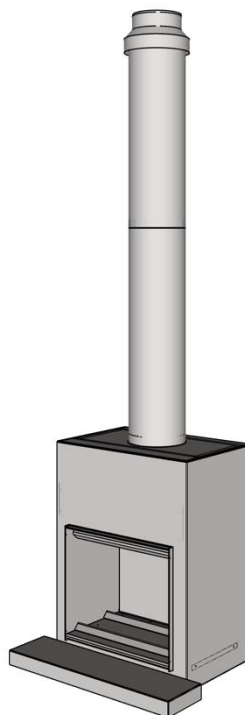
3. Run the second casing.
No crimped The casing fits over the crimped end on the first casing.



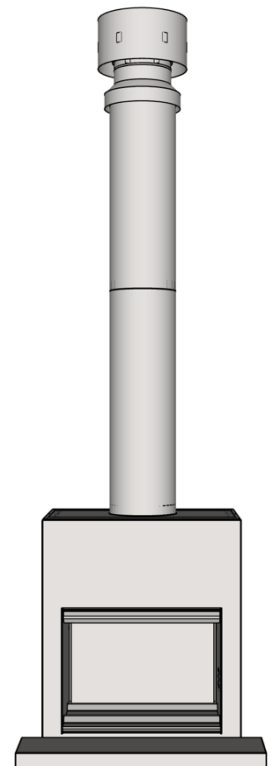
Top spacer



4. Fit the top spacer over the flue and into the casing.

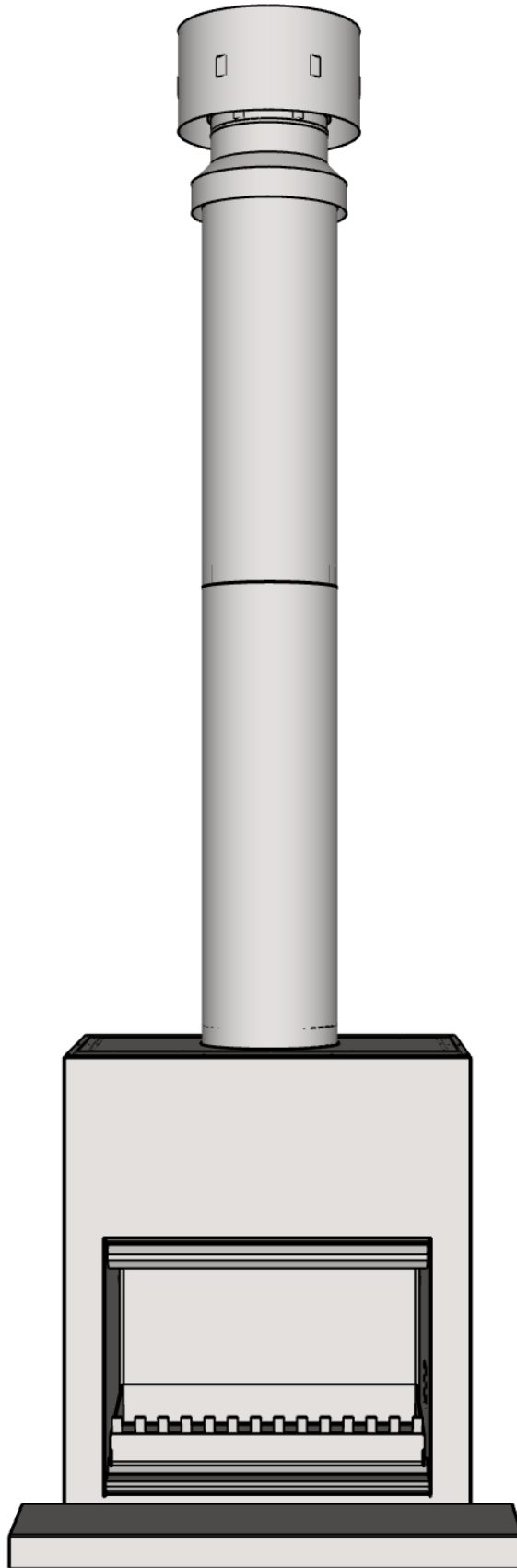


5. Fit the casing cover.



6. Fit the cowl

Step 8: Insert ashpan into firebox cavity



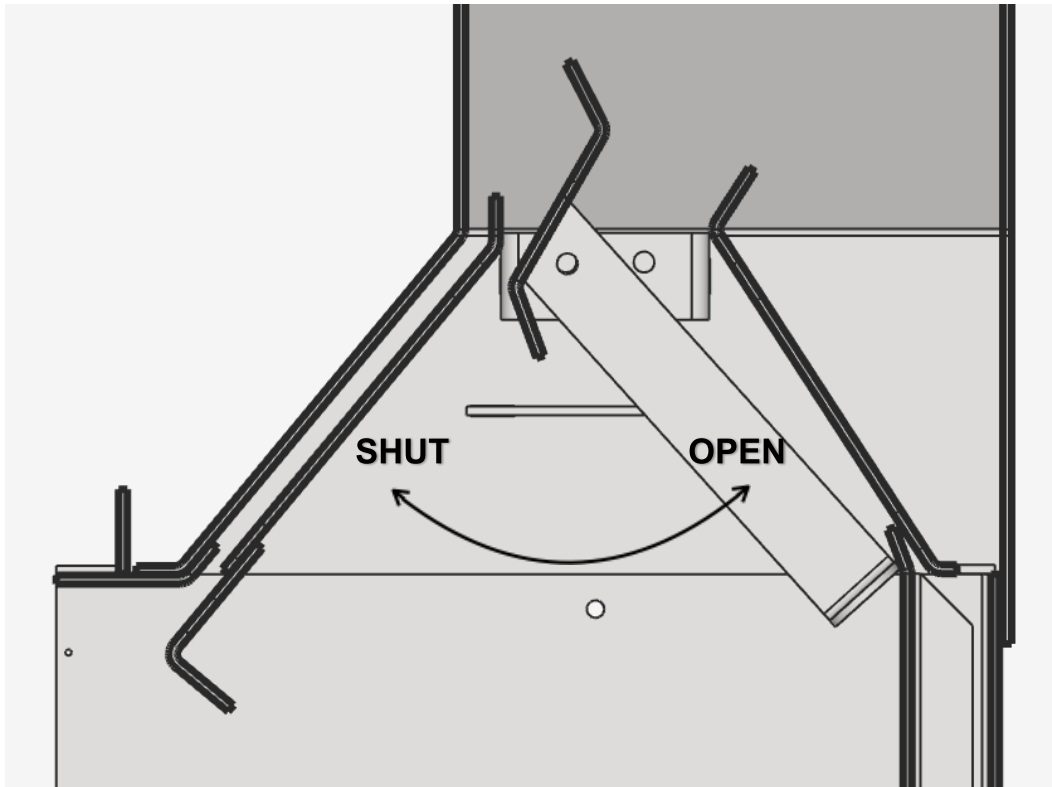
Insert ashpan into firebox.

Step 9: Show owner how to operate appliance

- Following the Operating Instructions on the next page, show the owner how to operate the baffle.
- If the owner is not available, leave this manual by the appliance.

OPERATING INSTRUCTIONS

- The WD60 has an integrated flue damper which has two positions – open and closed.
- The flue damper **MUST** be in the open position when the fire is being used. To set the flue damper to the open position, simply push it to the rear of the fire.
- If the fire is not being used for an extended period (for example, over summer), the flue damper can be pulled forward to the closed position, which reduces external noises and drafts.



- **Ongoing maintenance.** It is recommended that the flue be swept every year (some insurance companies require this), or more often if required.

.....

TROUBLESHOOTING

Problem	Probable Cause	Action
Smoke is entering room	<ol style="list-style-type: none"> 1. Poor quality or damp wood 2. Flue damper is closed 3. Draft flowing into or across fire 4. Flue terminates at poor position outside (eg. windy part of roof) 5. A nearby extractor fan is sucking smoke from the fire 	<ol style="list-style-type: none"> 1. Change wood 2. Open flue damper 3. Remove source of draft 4. Reposition flue termination 5. Switch off or reposition extractor fan
Flue damper doesn't stay in open position	Flue dumper bolts have loosened	Tighten flue dumper bolts and locknuts – one of each side

PRODUCT WARRANTY

IMPORTANT: Evidence of original purchase is required for warranty service.

WARRANTOR: 'The Fire Dept.' (Landscape Elements Ltd)
85 Newton Road
Mount Maunganui
PO Box 10275, Bayfair, Mount Maunganui

ELEMENT OF WARRANTY

'The Fire Dept.' warrants to the original retail owner for the duration of this warranty, it's fireboxes, gas burner tray, lighters, (herein after referred to as the Product) to be free from defects in materials and craftsmanship with only the limitations or exclusions set out below.

WARRANTY

This warranty will be deemed invalid if the Product is;

- (A) Installed by someone other than an authorised Fire Dept agent.
- (B) Not operated appropriately or "over-fired" in a manner resulting in the firebox operating excessively hot.
- (C) Not serviced and maintained by a certified gas fitter every 12 months.
- (D) Damaged by accident, neglect or misuse,
- (E) Repaired by someone other than an authorised Fire Dept repair agent for a defect or malfunction covered by this warranty.
- (F) Modified, altered or used as part of any conversion kits, subassemblies, or any configurations not sold by 'The Fire Dept.'
- (G) The product contains fire bricks and has not been subjected to the recommended first start-up and run-in procedure.
- (H) Used in conjunction with any equipment or parts or as part of a system not manufactured or supplied by 'The Fire Dept.'
- (I) External powder-coating within 200m of the high tide mark and not lightly washed with warm soapy water every three months.

Indoor appliances (Gas & Wood)

'The Fire Dept.' warrants the mild steel firebox, galvanised steel outer skin and RHS Duragal steel support frame against defective materials and workmanship which would render it unfit for normal domestic use, from the date of purchase by the original consumer, for a period of 5 (five) years. Beyond normal heat-induced staining, tarnishing and mild warping, if a firebox, outer skin or support frame defect occurs, contact 'The Fire Dept.' and the defect will be repaired or replaced at our discretion with all costs covered.

'The Fire Dept.' warrants the SIT Pack (Gas regulator and controller) against defective materials and workmanship which would render it unfit for normal domestic use, from the date of purchase by the original consumer, for a period of 2 (two) years.

Components including fire medium, fans, tiles, glass and glass trim are warranted for a period of 2 (two) years from the date of original purchase, against defective materials and workmanship.

Outdoor appliances (Gas & Wood)

'The Fire Dept.' warrants the Mild Steel firebox, galvanised steel outer skin and RHS Duragal Steel support frame against defective materials and workmanship which would render it unfit for normal domestic use, from the date of purchase by the original consumer, for a period of 2 (two) years. Beyond normal heat-induced staining, tarnishing and mild warping, if a firebox, outer skin or support frame defect occurs, contact 'The Fire Dept.' and the defect will be repaired or replaced at our discretion with all costs covered.

'The Fire Dept.' warrants the SIT Pack (Gas regulator and controller) against defective materials and workmanship which would render it unfit for normal domestic use, from the date of purchase by the original consumer, for a period of 2 (two) years.

Components including fire medium, fans, tiles, glass and glass trim are warranted for a period of 2 (two) years from the date of original purchase for domestic use, against defective materials and workmanship.

STATEMENT OF REMEDY

In the event that the Product does not conform to this warranty at any time while this warranty is in effect, the Warrantor, at its discretion, will repair the defect or replace the part and return it to you without charge for parts or service. This warranty does not provide for reimbursement or payment of incidental or consequential damages.

This warranty does not in any way affect your rights under the Consumers Guarantee Act (New Zealand).