



**GD13**

**Installation Guide  
Operating Instructions  
Warranty**

# GD13 Installation Guide, Operating Instructions & Warranty

## IMPORTANT!

This gas appliance must be installed to **AS/NZS 5601.1:2013** by a qualified person and in accordance with these instructions. Failure to install the appliance correctly will void your warranty and may cause a fire. This appliance should not be modified under any circumstances.

Under no circumstances should any combustibles such as paper, wood or coal be used in this appliance.

It is recommended that you have this appliance serviced annually by a qualified technician.

Warranty repairs must be carried out by a 'The Fire Dept.' authorised technician.

This appliance must ALWAYS terminate/flue outdoors.

Young children, elderly or infirm should be supervised to ensure that they are careful with the appliance.

Clothing and other flammable materials should never be placed near the appliance.

Never switch the appliance on without the glass in place.

Please note that parts (near the flame) of this appliance, particularly the steel surrounding, glass panels to the face or the door, become extremely hot during operation and can result in serious injury and burns if touched. It is therefore recommended that a fireguard complying with BS 8423:2002 is used in the presence of young children, the elderly or infirm.



## The GD13 installation process consists of 8 steps

	Page
Step 1: Ensure all appliance components are correct and undamaged.	3
Step 2: Install plinth (if required).	3
Step 3: Install appliance into position	3
Glass removal process	4
Glass installation process	5
Step 4: Install flue and connect to appliance	6
Front cover removal process	7
Front cover installation process	7
Step 5: Connect and test electrical supply	8
Step 6: Connect gas supply and commission	10
Step 7: Lay the firebed	11
How to lay vermiculite	12
How to lay river rocks	13
Step 8: Show owner how to operate appliance	14
Operating Instructions.	15
Troubleshooting	16
Warranty	17

Information in this installation guide may be subject to change without notice. Please ensure that you have the current version before beginning installation.

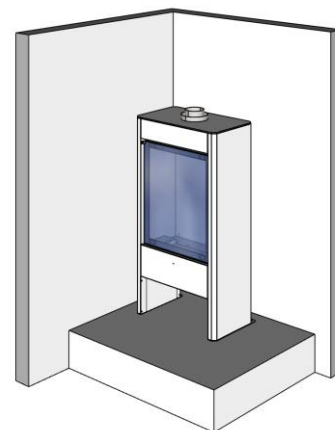
**If you have any queries, please contact 'The Fire Dept.' on 0800 888 550**

## Step 1: Unpack and ensure all components are correct and undamaged

- Appliance.
- Box of firebed mediums.
- Flue kit.

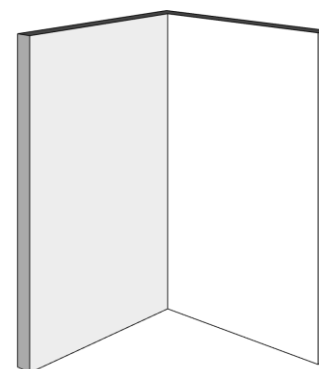
## Step 2: Install plinth (if required)

- If the appliance is to sit on a plinth, ensure it is capable of supporting a 150kg load.
- There is no clearance requirement for the base of the appliance. It may safely sit directly upon combustible (eg. timber) and non-combustible (eg. concrete) materials.



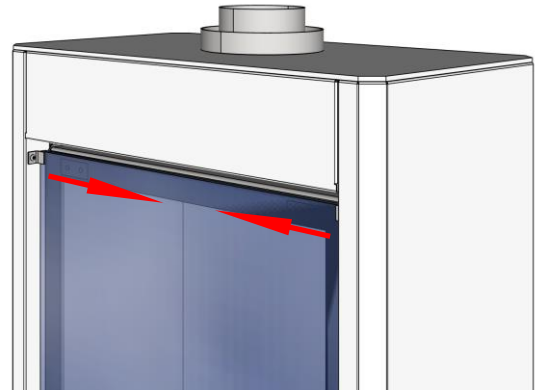
## Step 3: Install appliance into position

- Before installation, confirm all minimum clearances from the outside surfaces of the fire to the surrounding enclosure is no closer than 100mm from combustible materials and non-combustible materials.
- The exception to these minimum clearances is the base, the base can safely sit directly upon combustible (eg. timber) and non-combustible (eg. concrete) materials.
- The appliance is supplied with a 1000mm long braided stainless steel gas hose with a male gas bayonet connector that will plug into a gas bayonet socket (gas bayonet socket not supplied). Refer to appropriate 'The Fire Dept.' product specification for specific gas bayonet location requirements.
- The appliance is supplied with a 1000mm long electrical cable and 3 pin plug that will plug into the electrical wall socket (electrical wall socket not supplied). Refer to appropriate 'The Fire Dept.' product specification for specific gas bayonet location requirements.
- Locate appliance into position and ensure that it complies with the minimum clearances required (100mm for combustibles) to the surrounding enclosure. The exception to these minimum clearances is the base, the base can safely sit directly upon combustible (e.g. timber) and non-combustible (e.g. concrete) materials, refer to the appropriate appliance specification for the correct clearance requirements. Ensure the framing is capable of supporting a 150kg load.
- The base has 2 x 10mm holes at the back of each side.
- Mark out and drill fixing holes through the 10mm holes in the base. Ensure holes are drilled in the centre of the holes. Clear out any debris from drilling.
- Ensure the appliance is level and pack up corners to suit where necessary. Fix bolts / screws into floor. Check and ensure unit is level.
- If the electrician and/or gas fitter is available at this stage the electrical supply and gas supply can be connected and tested/commissioned (see steps 5 & 6).



## Glass Removal Process

- Carefully remove glass, which is held in place by retaining clips at the top sides of the glass and powerful magnets in each lower corner.
- Remove the top retaining clips by undoing the 4mm Allen head cap screws.



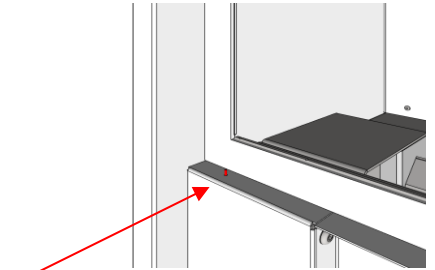
- Gently pull at the top corners in a forward motion. The glass will tilt forward.



- In one movement gently pull the glass up and away from the fire to break the magnetic connection. Take care that the glass doesn't fall completely off once it's free from the fixing magnets.
- Lift glass away from appliance and lay flat in a safe place with insulating material facing down to protect glass.

## Glass Installation Process

- **Note:** Check all glass edges and surfaces for damage. Do not install the glass if it is damaged. Check that the insulating material (ladder rope around the outer edge of the glass and around the opening of the fire) is complete and undamaged. Do not install the glass if the insulating material is damaged or missing.
- Carefully install the glass, which is held in place by retaining clips at the top sides of the glass and powerful magnets in each lower corner.
- On the back corners of the glass there are 3mm steel magnet panels. In one Movement, gently lower the glass down allowing the steel magnet panels to catch the top front face of the magnetic. Take care lowering the glass completely down into position. The glass will lower onto a 3mm safety switch pin. There is a safety switch at the left base of the glass panel.

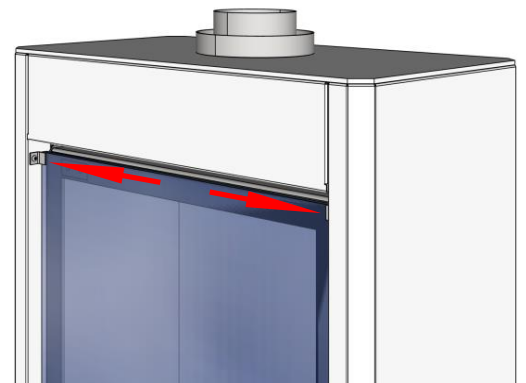


Safety switch pin

- Gently push the top corners of the glass back into position.



- Tighten the 4mm cap screws that hold the glass retaining clips in position. Make sure the retaining clips sit flat onto the glass surface.

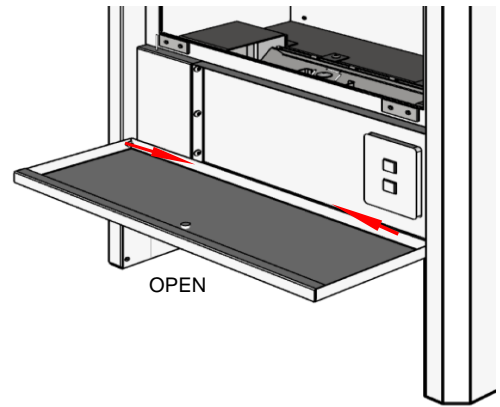


## Step 4: Install flue and connect to appliance

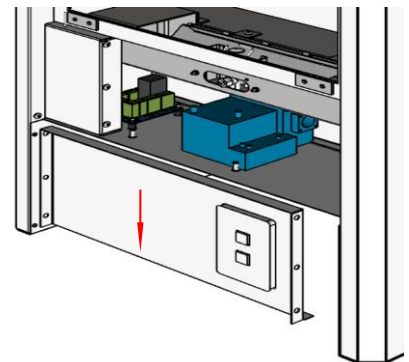
- **Flue installation must meet the requirements of AS/NZS 5601.1:2013 and comply with all local council requirements and be installed and certified by a suitably qualified person.**
- Refer to appropriate 'The Fire Dept' product specifications for specific minimum requirements.
- A 25mm clearance from combustible materials, 75mm clearance from wiring and plastic pipes and a minimum of 5mm from non-combustible materials is required when installing a flue system for any appliance supplied by 'The Fire Dept.'
- The flue installation requires a restriction free cavity from the top of the firebox (flue spigot) to the outside atmosphere.
- Air flow must be unobstructed from the firebox to the inner flue and from the heat shield to outer casing allowing air to circulate from the firebox to the flue casings to the atmosphere.

## Front Cover Removal Process

- Carefully fully open and then remove the door panel, which is held in place by 1 x 5mm cap screw in each lower corner and held shut at the top with a magnet.



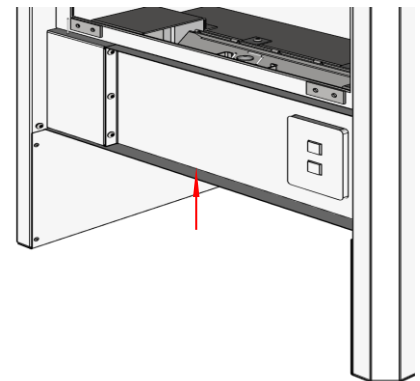
- Remove the front cover, which is held in place by 9 x 5mm cap screws, 3 at each side and 3 underneath. Due to the wiring connecting the switch (on the cover panel) to the controller, the cover panel will need to be lowered carefully and remain close to its original position.



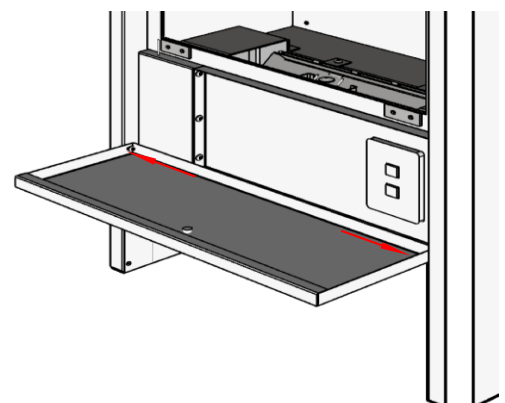
.....

## Front Cover Installation Process

- Fit the front cover, which is held in place by 9 x 5mm cap screw, 3 at each side and 3 underneath. Note: There is wiring connecting the switch (on the cover panel) to the controller. The cover panel will need to be lifted carefully back into position.



- Fit the door panel, which is held in place by 1 x 5mm cap screw in each lower corner and held shut at the top with a magnet.  
**Note:** Do not over tighten the cap screws as they serve as the hinge.



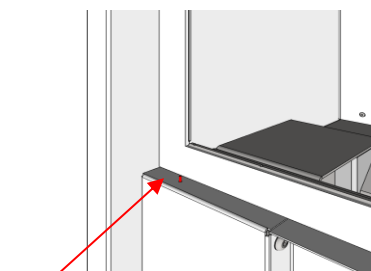
## Step 5: Connect and test electrical supply

- All electrical connections must meet the requirements of AS/NZS 3000 standards and be installed and certified by a suitably qualified person.
- The appliance is supplied with 1000mm of 3-core cable to a 3 pin plug that will plug into the electrical wall socket (electrical wall socket not supplied).
- The appliance can also be hard-wired into the building if required.
- In order to access the electricals, it is necessary to first remove the front cover.
- Follow the '**Front Cover Removal Process**' in this guide.
- With the front cover removed the electrical connections in the appliance can be seen.
- Following these connection details, using the 3-core cable from the appliance, remove the 3-pin plug and hard wire the cable into the building.
- **IMPORTANT: Before testing, ensure the gas valve is turned off.**



- GD13 models have a glass failure safety switch at the base of the opening. The safety switch turns the appliance off if the glass is not in position. The 3mm pin will need to be held down to complete electrical testing. It is recommended that masking tape is used to hold the safety pin down.

**NOTE:** The masking tape must be removed once testing is completed.

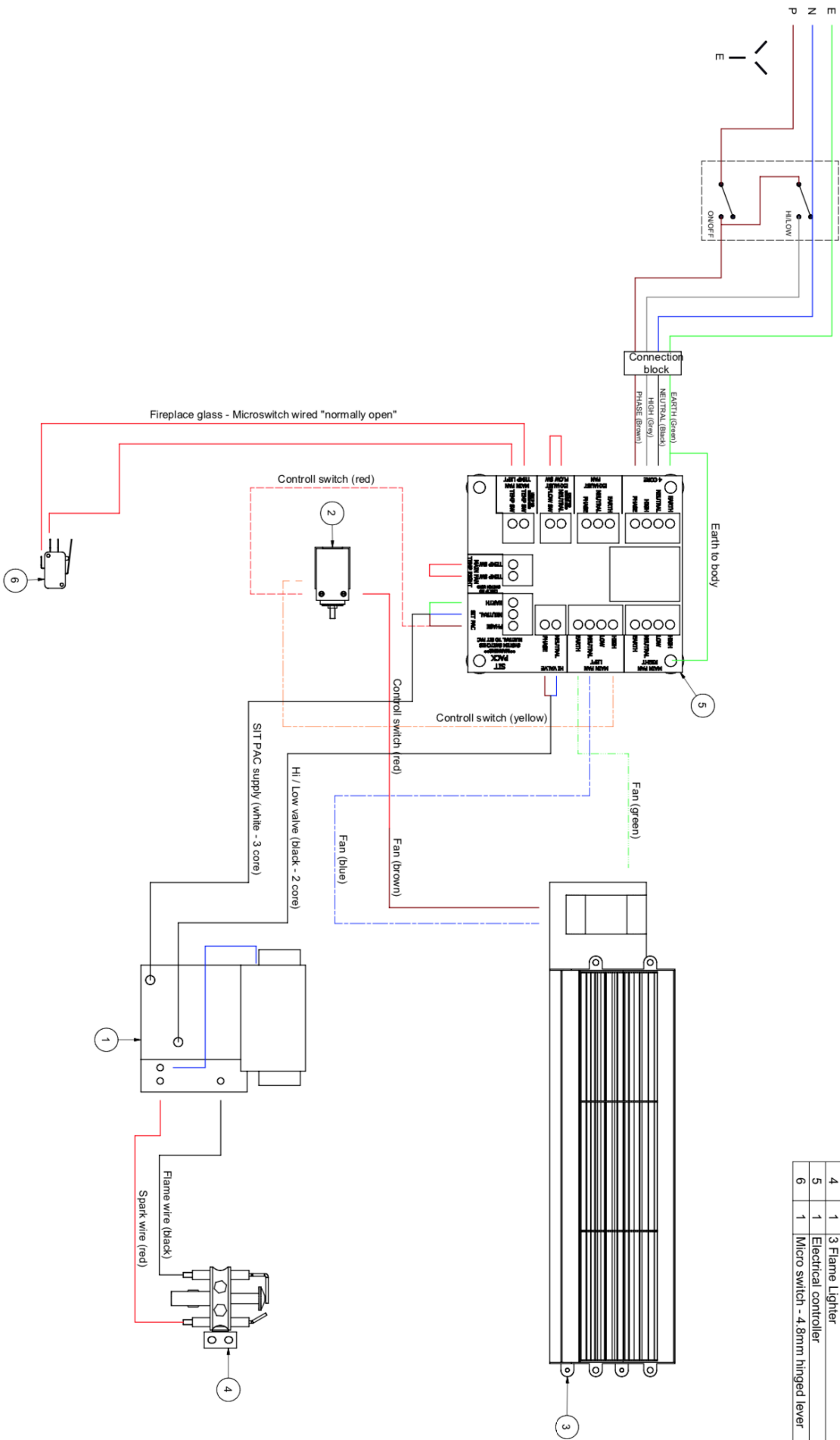


Safety switch pin

- Test electrical functions by switching the bottom High/Low switch to LOW, then switch the appliance ON using the top On/Off switch.
- The fan will start and after approximately five seconds, the pilot will spark. Because the gas supply is turned off, the pilot will spark for approximately five seconds then automatically switch off. The fan will continue to operate.
- **NOTE:** GD13 models have a fan which operates in both LOW and HIGH settings.
- Switch to HIGH setting. Ensure that a red light appears on the electrical connections block and the fan is operating.
- Switch the appliance off. Electrical testing is complete.
- Fit the front cover by following the '**Front Cover Installation Process**' in this guide.



ITEM	QTY	DESCRIPTION
1	1	Sit 843 Sigma
2	1	Switched controller (Speed)
3	1	High speed fan
4	1	3 Flame Lighter
5	1	Electrical controller
6	1	Micro switch - 4.8mm hinged lever



REV. No.	DATE	REV. BY	REVISIONS	CHKD. BY	DATE	APPD. BY
0	2017/07/24	J.S.	ISSUED FOR MANUFACTURE			
1	2018/07/29	J.S.	DIAGRAM LINE COLOURS UPDATED			
2	2019/06/14	J.S.	DIAGRAM UPDATED			

DRAWING No.		REFERENCE DRAWINGS	
COPYRIGHT ©		THIS DRAWING IS THE PROPERTY OF THE FIRE DEPT. AND IS NOT TO BE REPRODUCED OR COPIED IN ANY MANNER WITHOUT THE WRITTEN PERMISSION OF THE PROPRIETORS.	
Drawing No.		GD13-0600-451	
Client:		THE FIRE DEPT - STANDARD SERIES	
Project:		GDI13	
Title:		Electrical line diagram	
Drawn:		J.SCHOEIMAN	
Date:		17/10/2017	
Appd:			
Scale:		on A2	
Sheet		1 of 1	
Revision		2	

## Step 6: Connect gas supply and commission

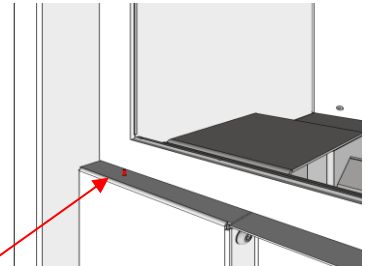
- Gas installation, connection and commissioning must meet the requirements of AS/NZS 5601.1:2013 and be installed and certified by a suitably qualified person.

- In order to access the testing area, it is necessary to first remove the front cover.
- Remove the front cover by following the '**Front Cover Removal Process**' in this guide.

- Leak test all joints.

- GD13 models have a glass failure safety switch at the base of the opening. The safety switch turns the appliance off if the glass is not in position. The 3mm pin will need to be held down to complete commissioning. It is recommended that masking tape is used to hold the safety pin down.

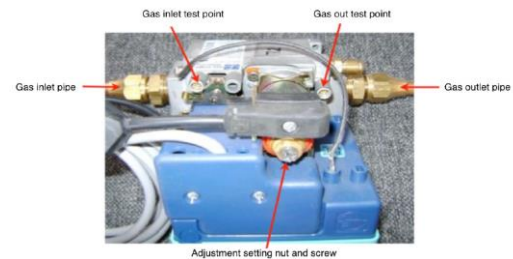
Off position



Safety switch pin

**NOTE:** The masking tape must be removed once testing is completed.

- Switch the appliance on.
- Test/adjust high first and then the low pressures against rating plate specifications.
- The GD13 has an input of 15-20MJ/h from one gas injector at the pilot side of the burner tray.



- In the unlikely event that the rating plate is not attached, **Do Not** commission the fire and contact The Fire Dept. immediately.

- Switch the appliance off.

- Replace the front cover by following the '**Front Cover Installation Process**' in this guide.

- Switch the appliance on.

- **Note:** due to lack of firebed and glass, it may be necessary to manually light burners.



Burner exposed



Burner with vermiculite  
(see how to lay vermiculite in this guide)

- Switch the appliance off.
- Lay firebed in accordance with instructions in Step 7 of this guide.
- Send gas certificate to appropriate person.

## Step 7: Lay the firebed

- The GD13 has a River Rocks firebed.
- Particular care should be taken when placing the firebed mediums into the burner tray. Failure to place the medium correctly may result in the fire performing inefficiently.
- Open the firebed cardboard box and identify firebox mediums.

**River Rocks** have two firebed mediums:

Vermiculite – 1 bag.

White rocks – large and small.



## How to lay Vermiculite

- In order to access the burner, it is necessary to first remove the glass.
- Follow the '**Glass removal process**' in this guide.
- Lift glass away from the appliance and lay flat in a safe place with insulating material facing down.

- Beginning in the middle at the back of the burner, carefully empty the bags of vermiculite into the burner tray.



- Ensure not to spill any vermiculite in cavities in front of and behind burner tray.

- Do not pour vermiculite directly into burner slots.

- Fill area behind burner up to top of burner tray. Use hand to spread out and push under burner.



- Fill up area in front of burner and gently pat down vermiculite to ensure it is spread evenly throughout the burner tray.



- Using a small Allen key (or similar), remove any vermiculite that may have fallen into burner slots.

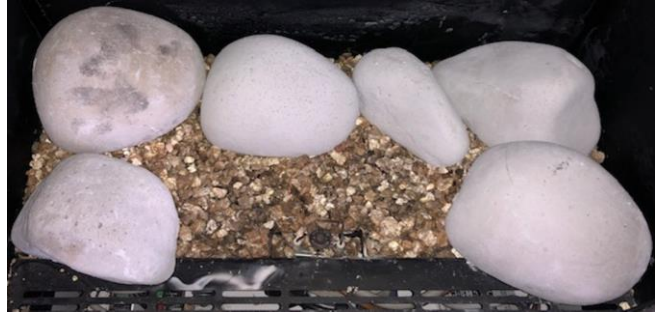


- Vermiculite layer complete.



## How to lay River Rocks

- Lay large rocks first, in these positions.



- Lay small rocks next, in these positions.



- With glass still removed, switch the appliance on at 'HIGH' setting to check how flame looks. The flame will take 10-20 seconds to light fully.



- **IMPORTANT:** the flame effect should look natural and non-uniform, running the entire length of the burner.
- Common flame effect issues are:
  - Flame touching edge of burner tray.
  - Missing flames along length of burner.
- Both these issues can be resolved by switching the appliance off and slightly repositioning rocks and logs at the problem areas.
- Repeat this switching on/off and repositioning until a natural and non-uniform flame effect is achieved.
- Once a natural and non-uniform flame effect is achieved, switch the appliance to 'LOW' setting and ensure the flame effect, although smaller, still looks good.
- Switch the appliance off and carefully fit the glass. Follow the '**Glass Installation Process**' in this guide.
- Switch the appliance on and check that flame effect still looks natural and non-uniform.
- Fit the front cover. Follow the '**Front Cover Installation Process**' in this guide.
- **Note:** it is normal for the glass to mist a little when the appliance is first switched on. This will quickly disappear.

## **Step 8: Show owner how to operate appliance**

- Following the GD13 Operating Instructions on the next page, show the owner how to switch the appliance on and off, and how to switch between high and low settings.
- If the owner is not available, leave this manual by the appliance.

### **NOTES:**

# GD13 OPERATING INSTRUCTIONS

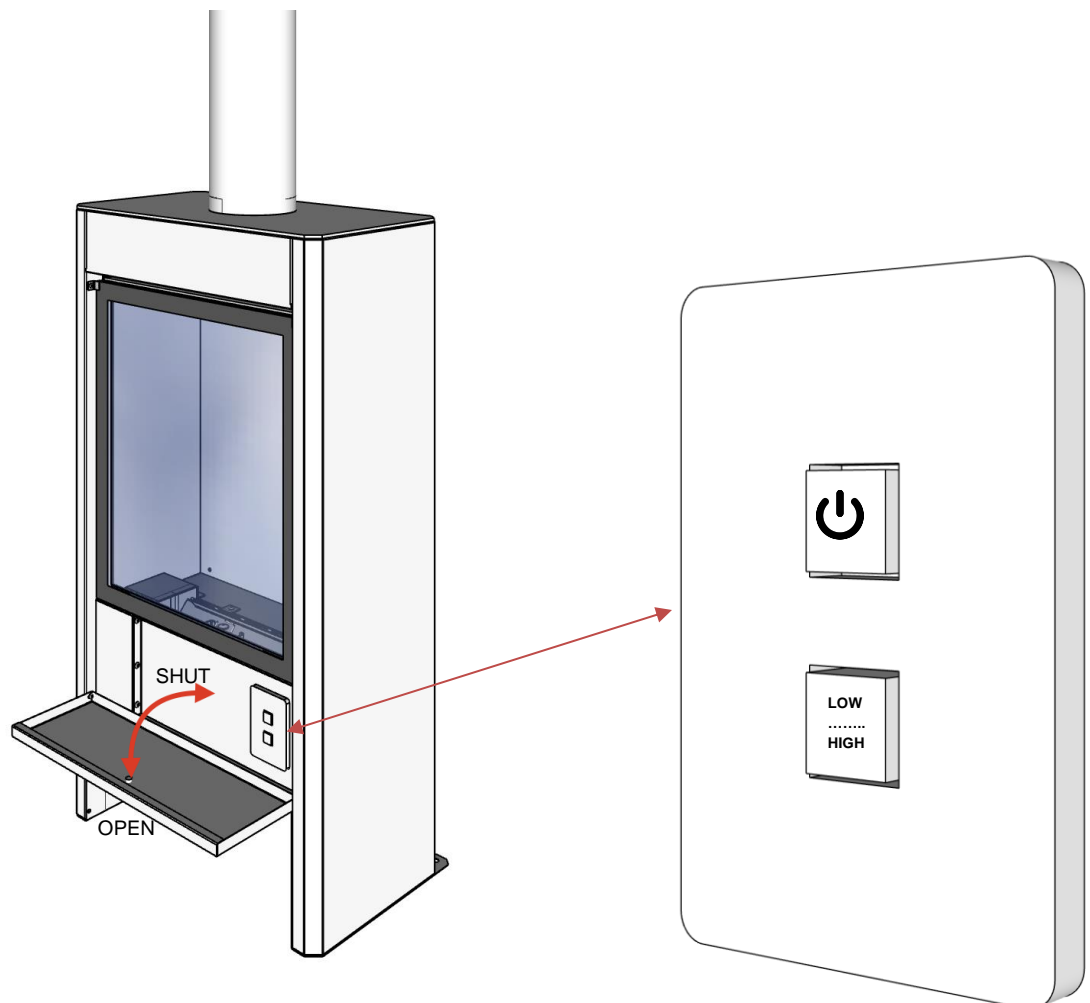
This GD13 appliance has been designed to be simple to use. It is controlled by a switch (located behind the front door on the appliance) it can also be controlled wirelessly by Bluetooth (optional extra).

## To start appliance:

- Bluetooth option: Download and configure the Wisier Room App.
- Appliance switch option: Open the appliance door to access the switch.
- Press the on/off switch to the ON position.
- Press the high/low switch to the HIGH position.
- The electronic solenoid pack will start to click.
- Gas will then be released and ignited at the pilot valve.
- The safety sensor will allow the main burner pipe to ignite and flames will appear. The whole process will take between 10-20 seconds.
- Once the flame appears, it can be turned down to the low setting by pressing the high/low switch to LOW.

## To shut down appliance:

- Press the on/off switch to the OFF position.
- The gas will automatically be shut off to the pilot and the burner. The flame will then extinguish.



## TROUBLESHOOTING

Problem	Probable Cause	Action
Appliance doesn't start	<ol style="list-style-type: none"> <li>1. No gas supply</li> <li>2. No power supply</li> <li>3. Low or poor pilot flame</li> <li>4. Signal from flame rectifier interrupted</li> <li>5. Signal to sparker electrode interrupted</li> <li>6. Incorrect sparker electrode gap</li> <li>7. Glass not correctly positioned</li> </ol>	<ol style="list-style-type: none"> <li>1. Check gas supply</li> <li>2. Check power supply</li> <li>3. Check flame size and pressure</li> <li>4. Check flame rectifier and wire to sit pack</li> <li>5. Check sparker gap and wire to sit pack</li> <li>6. Check sparker electrode gap is 3mm</li> <li>7. Reposition glass</li> </ol>
Appliance shuts down	<ol style="list-style-type: none"> <li>1. Low gas supply</li> <li>2. Low or poor pilot flame</li> <li>3. Signal to flame rectifier interrupted</li> </ol>	<ol style="list-style-type: none"> <li>1. Check gas supply</li> <li>2. Check flame size and pilot flame pressure</li> <li>3. Check flame rectifier and wire to sit pack</li> </ol>
Flame in not running the full length of the burner	The firebed is not aligned to the burner	Re-lay the firebed to the specific model specifications detailed earlier in this guide
Flame is yellow and sooty	<ol style="list-style-type: none"> <li>1. Primary aeration ports have a blockage (LPG models only)</li> <li>2. The firebed is not aligned to the burner</li> </ol>	<ol style="list-style-type: none"> <li>1. Check primary aeration ports for blockage and clear if required (LPG models only)</li> <li>2. Re-lay the firebed to the specific model specifications detailed earlier in this guide</li> </ol>
No flame at the pilot	Primary aeration ports have a blockage	Check primary aeration ports for blockage and clear if required



# PRODUCT WARRANTY

**IMPORTANT:** Evidence of original purchase is required for warranty service.

**WARRANTOR:** 'The Fire Dept.' (Landscape Elements Ltd)  
85 Newton Road  
Mount Maunganui  
PO Box 10275, Bayfair, Mount Maunganui

## ELEMENT OF WARRANTY

'The Fire Dept.' warrants to the original retail owner for the duration of this warranty, it's fireboxes, gas burner tray, lighters, (herein after referred to as the Product) to be free from defects in materials and craftsmanship with only the limitations or exclusions set out below.

## WARRANTY

This warranty will be deemed invalid if the Product is;

- (A) Installed by someone other than an authorised Fire Dept agent.
- (B) Not operated appropriately or "over-fired" in a manner resulting in the firebox operating excessively hot.
- (C) Not serviced and maintained by a certified gas fitter every 12 months.
- (D) Damaged by accident, neglect or misuse.
- (E) Repaired by someone other than an authorised Fire Dept repair agent for a defect or malfunction covered by this warranty.
- (F) Modified, altered or used as part of any conversion kits, subassemblies, or any configurations not sold by 'The Fire Dept.'
- (G) The product contains fire bricks and has not been subjected to the recommended first start-up and run-in procedure.
- (H) Used in conjunction with any equipment or parts or as part of a system not manufactured or supplied by 'The Fire Dept.'
- (I) External powder-coating within 200m of the high tide mark and not lightly washed with warm soapy water every three months.

## Indoor appliances (Gas & Wood)

'The Fire Dept.' warrants the mild steel firebox, galvanised steel outer skin and RHS Duragal steel support frame against defective materials and workmanship which would render it unfit for normal domestic use, from the date of purchase by the original consumer, for a period of 5 (five) years. Beyond normal heat-induced staining, tarnishing and mild warping, if a firebox, outer skin or support frame defect occurs, contact 'The Fire Dept.' and the defect will be repaired or replaced at our discretion with all costs covered.

'The Fire Dept.' warrants the SIT Pack (Gas regulator and controller) against defective materials and workmanship which would render it unfit for normal domestic use, from the date of purchase by the original consumer, for a period of 2 (two) years.

Components including fire medium, fans, tiles, glass and glass trim are warranted for a period of 2 (two) years from the date of original purchase, against defective materials and workmanship.

## Outdoor appliances (Gas & Wood)

'The Fire Dept.' warrants the Mild Steel firebox, galvanised steel outer skin and RHS Duragal Steel support frame against defective materials and workmanship which would render it unfit for normal domestic use, from the date of purchase by the original consumer, for a period of 2 (two) years. Beyond normal heat-induced staining, tarnishing and mild warping, if a firebox, outer skin or support frame defect occurs, contact 'The Fire Dept.' and the defect will be repaired or replaced at our discretion with all costs covered.

'The Fire Dept.' warrants the SIT Pack (Gas regulator and controller) against defective materials and workmanship which would render it unfit for normal domestic use, from the date of purchase by the original consumer, for a period of 2 (two) years.

Components including fire medium, fans, tiles, glass and glass trim are warranted for a period of 2 (two) years from the date of original purchase for domestic use, against defective materials and workmanship.

## STATEMENT OF REMEDY

In the event that the Product does not conform to this warranty at any time while this warranty is in effect, the Warrantor, at its discretion, will repair the defect or replace the part and return it to you without charge for parts or service. This warranty does not provide for reimbursement or payment of incidental or consequential damages.

This warranty does not in any way affect your rights under the Consumers Guarantee Act (New Zealand).