



GD1

**Installation Guide
Operating Instructions
Warranty**

GD1 Installation Guide, Operating Instructions & Warranty

IMPORTANT!

This gas appliance must be installed to **AS/NZS 5601.1:2013** by a qualified person and in accordance with these instructions. Failure to install the appliance correctly will void your warranty and may cause a fire. This appliance should not be modified under any circumstances.

Under no circumstances should any combustibles such as paper, wood or coal be used in this appliance.

It is recommended that you have this appliance serviced annually by a qualified technician.

Warranty repairs must be carried out by a 'The Fire Dept.' authorised technician.

This appliance must ALWAYS terminate / flue outdoors.

Young children, elderly or infirm should be supervised to ensure that they are careful with the appliance.

Clothing and other flammable materials should never be placed near the appliance.

Never switch the appliance on without the glass in place.

Please note that parts (near the flame) of this appliance, particularly the steel surrounding, glass panels to the face or the door, become extremely hot during operation and can result in serious injury and burns if touched. It is therefore recommended that a fireguard complying with BS 8423:2002 is used in the presence of young children, the elderly or infirm.

During the installation of this appliance, it may be necessary to manually handle heavy components (greater than 25kg). It is the installer's responsibility to ensure appropriate manual-handling techniques are employed.

The GD1 installation process consists of 8 steps

Step 1: Ensure all components are correct and undamaged.	3
Step 2: Install plinth (if required).	3
Step 3: Install appliance into cavity	3
Glass removal process	4
Glass installation process	4
Burner tray removal process	5
Burner tray installation process	6
Step 4: Install flue and connect to fire	8
Step 5: Connect and test electrical supply	11
Step 6: Connect gas supply and commission	13
Step 7: Lay the firebed	14
How to lay River Rocks firebed	17
How to lay Beach Driftwood firebed	19
How to lay Forest Logs firebed	21
Step 8: Show owner how to operate appliance	23
Operating Instructions.	24
Troubleshooting	24
Warranty	25

Information in this installation guide may be subject to change without notice.
Please ensure you have the current version before beginning installation.

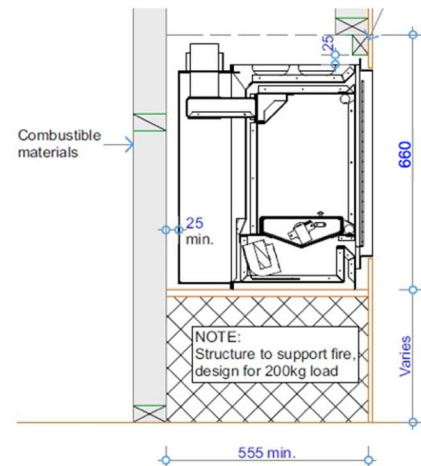
If you have any queries, please contact 'The Fire Dept.' on 0800 888 550

Step 1: Unpack and ensure all components are correct and undamaged

- Appliance.
- Box of firebed mediums.
- Flue kit.

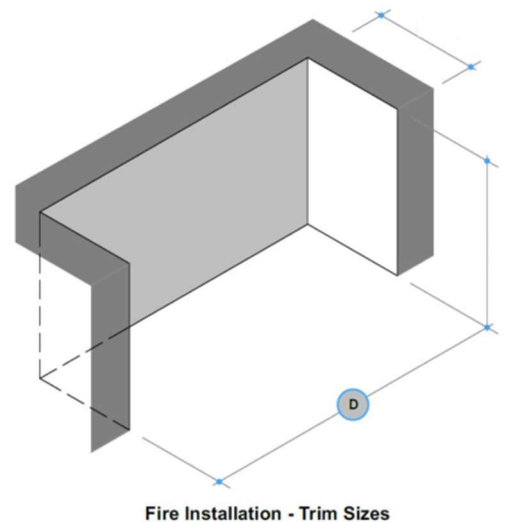
Step 2: Install plinth (if required)

- If the appliance is to sit on a plinth, ensure it is capable of supporting a 200kg load.
- There is no clearance requirement for the base of the appliance. It may safely sit directly upon combustible (eg. timber) and non-combustible (e.g. concrete) materials.



Step 3: Install appliance into cavity

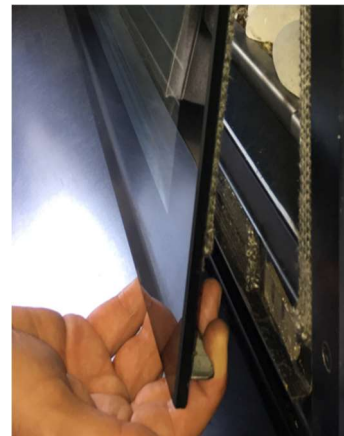
- Before installation, confirm all minimum clearances from the outside surfaces of the fire to the surrounding enclosure are no closer than 25mm from combustible materials and 5mm from non-combustible materials.
- The exception to these minimum clearances is the base, which can safely sit directly upon combustible (eg. timber) and non-combustible (eg. concrete) materials.



- If a gas supply pipe has already been run to the cavity, ensure 1000mm of 3/8 soft copper tube is available at the lower left rear of the cavity, as this is where the copper tube with the gas supply enters the appliance.
- If an electrical supply cable has already been run to the cavity (must be a minimum of 1.0mm 4 core cable), ensure that the cable reaches the lower left rear of the cavity, as this is where it will enter the fire.
- In order to access the two 30mm fixing slots in the base of the fire, and the gas and electrical connections, it is necessary to first remove the glass and the burner tray.

Glass removal process

- **Note:** glass removal is best carried out by two people.
- Carefully remove glass, which is held in place by hooks at top corners and powerful magnets at bottom corners.
- Place fingers at top and bottom corners of glass. Slide two fingers outward behind bottom corners of glass until you feel the 2mm steel magnetic fixing brackets. You will need to apply pressure to the back edge of the magnetic fixing brackets whilst pressing thumbs against fire to break the magnetic connections at bottom corners.



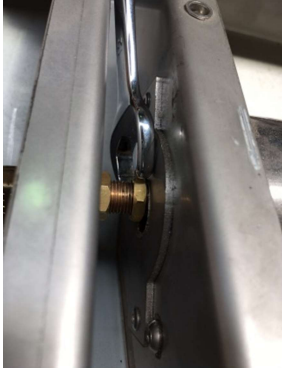
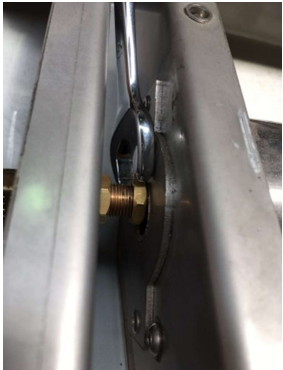
- Lift glass off top hooks and lay glass flat in a safe place with insulating material facing down to protect glass.







Glass installation process

- Carefully re-install glass by simply reversing the glass removal process detailed above.

Burner Tray Removal Process

	LPG	Natural Gas
<p>GD1 1200</p> <p>This model has one gas injector at the right hand side of the burner tray.</p>	<ul style="list-style-type: none"> Remove the stainless steel burner end caps (2 x screws on each cap) at either end of the burner tray. Remove the burner tray by carefully pushing it away from the pilot and lift the pilot end of the burner tray, lift the burner tray up and away from the pilot in one movement. Stand the burner tray on its end and lean against a stable surface. 	<ul style="list-style-type: none"> Remove the stainless steel burner end caps (2 x screws on each cap) at either end of the burner tray. Remove the burner tray by carefully pushing it away from the pilot and lift the pilot end of the burner tray, lift the burner tray up and away from the pilot in one movement. Stand the burner tray on its end and lean against a stable surface.
<p>GD1 1500</p> <p>This model has two gas injectors at the right and left hand sides of the burner tray.</p>	<ul style="list-style-type: none"> Remove the stainless steel burner end caps (2 x screws on each cap) at either end of the burner tray. Remove the burner tray by carefully pushing it away from the pilot and lift the pilot end of the burner tray, lift the burner tray up and away from the pilot in one movement. Ensure that the gas injector at the left hand side is not damaged as the burner tray is lifted out. Stand the burner tray on its end and lean against a stable surface. 	<ul style="list-style-type: none"> Remove the stainless steel burner end caps (2 x screws on each cap) at either end of the burner tray. On the left hand side gas injector, loosen and spin back the 12mm brass nut closest to the burner tray. <div style="text-align: center;">  <p>LH Gas Injector</p> </div> <ul style="list-style-type: none"> Remove the burner tray by carefully pushing it away from the pilot and lift the pilot end of the burner tray, lift the burner tray up and away from the pilot in one movement. Stand the burner tray on its end and lean against a stable surface.
<p>GD1 1600</p> <p>This model has two gas injectors at the right and left hand sides of the burner tray.</p>	<ul style="list-style-type: none"> Remove the stainless steel burner end caps (2 x screws on each cap) at either end of the burner tray. Remove the burner tray by carefully pushing it away from the pilot and lift the pilot end of the burner tray, lift the burner tray up and away from the pilot in one movement. Ensure that the gas injector at the left hand side is not damaged as the burner tray is lifted out Stand the burner tray on its end and lean against a stable surface. 	<ul style="list-style-type: none"> Remove the stainless steel burner end caps (2 x screws on each cap) at either end of the burner tray. On the left hand side gas injector, loosen and spin back the 12mm brass nut closest to the burner tray. <div style="text-align: center;">  </div> <ul style="list-style-type: none"> Remove the burner tray by carefully pushing it away from the pilot and lift the pilot end of the burner tray, lift the burner tray up and away from the pilot in one movement. Stand the burner tray on its end and lean against a stable surface.

Burner Tray Installation Process

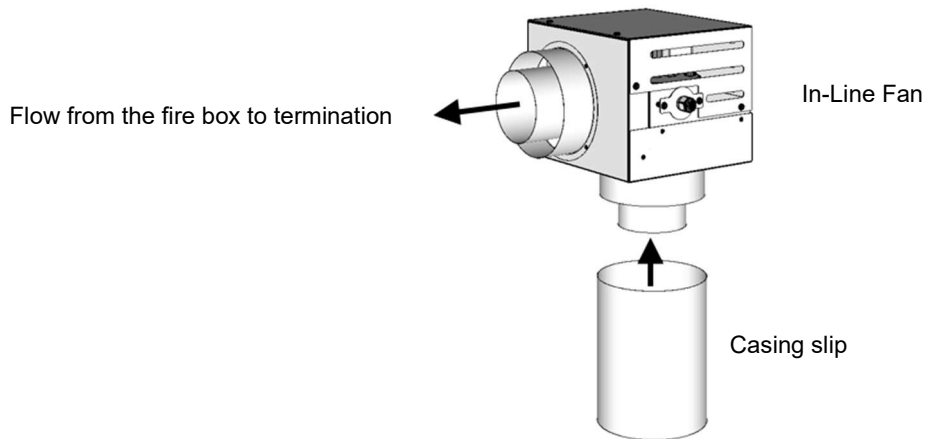
	LPG	Natural Gas
<p>GD1 1200</p> <p>Input 20MJ/h This model has one gas injector at the right hand side of the burner tray.</p>	<ul style="list-style-type: none"> • Install the burner tray by carefully lowering the end opposite from the pilot meanwhile holding up the pilot end, lower the burner tray down and move towards the pilot in one movement. • Ensure the burner tray is located correctly into the burner bracket and the jets are aiming into the burner tube inlet holes. • Replace the stainless steel burner end caps (2 x screws on each cap) at either end of the burner. 	<ul style="list-style-type: none"> • Install the burner tray by carefully lowering the end opposite from the pilot meanwhile holding up the pilot end, lower the burner tray down and move towards the pilot in one movement. • Ensure the burner tray is located correctly into the burner bracket and the jets are aiming into the burner tube inlet holes. • On the left hand side gas injector, gently tighten (do not overtighten) the 12mm brass nut closest to the burner tray. • Replace the stainless steel burner end caps (2 x screws on each cap) at either end of the burner.
<p>GD1 1500</p> <p>Input 20-22 MJ/h This model has two gas injectors at the right and left hand sides of the burner tray.</p>	<ul style="list-style-type: none"> • Install the burner tray by carefully lowering the end opposite from the pilot meanwhile holding up the pilot end, lower the burner tray down and move towards the pilot in one movement. • Ensure the burner tray is located correctly into the burner bracket and the jets are aiming into the burner tube inlet holes. • Replace the stainless steel burner end caps (2 x screws on each cap) at either end of the burner. 	<ul style="list-style-type: none"> • Install the burner tray by carefully lowering the end opposite from the pilot meanwhile holding up the pilot end, lower the burner tray down and move towards the pilot in one movement. • Ensure the burner tray is located correctly into the burner bracket and the jets are aiming into the burner tube inlet holes. • On both the left and right hand gas injectors, gently tighten (do not overtighten) the 12mm brass nuts closest to the burner tray. <div style="display: flex; justify-content: center; gap: 20px;">   </div> <p style="text-align: center;">LH Gas Injector RH Gas Injector</p> <ul style="list-style-type: none"> • Replace the stainless steel burner end caps (2 x screws on each cap) at either end of the burner.
<p>GD1 1600</p> <p>Input 30-35 MJ/h This model has two gas injectors at the right and left hand sides of the burner tray.</p>	<ul style="list-style-type: none"> • Install the burner tray by carefully lowering the end opposite from the pilot meanwhile holding up the pilot end, lower the burner tray down and move towards the pilot in one movement. • Ensure the burner tray is located correctly into the burner bracket and the jets are aiming into the burner tube inlet holes. • Replace the stainless steel burner end caps (2 x screws on each cap) at either end of the burner. 	<ul style="list-style-type: none"> • Install the burner tray by carefully lowering the end opposite from the pilot meanwhile holding up the pilot end, lower the burner tray down and move towards the pilot in one movement. • Ensure the burner tray is located correctly into the burner bracket and the jets are aiming into the burner tube inlet holes. • On both the left and right hand gas injectors, gently tighten (do not overtighten) the 12mm brass nuts closest to the burner tray. <div style="display: flex; justify-content: center; gap: 20px;">   </div> <p style="text-align: center;">LH Gas Injector RH Gas Injector</p> <ul style="list-style-type: none"> • Replace the stainless steel burner end caps (2 x screws on each cap) at either end of the burner.

- Slide appliance into position and ensure that it complies with the minimum clearances required (25mm for combustibles, 5mm for non-combustibles) to the surrounding enclosure.
- In order to provide maximum positioning flexibility, the base has two 30mm long slots.
- Mark out and drill fixing holes through the 30mm slots in the base. Ensure holes are drilled in the centre of the slots to allow maximum positioning flexibility. Clear out any debris from drilling,
- Ensure the appliance is level and pack up corners to suit where necessary. Fix bolts / screws into floor. Check and ensure unit is level.
- If the electrician and / or gas fitter is available at this stage the electrical supply and gas supply can be connected and tested/commissioned (see steps 5 & 6).
- Replace the burner tray. The burner tray installation process depends upon the model and type of gas to be used. Refer to table below.

Step 4: Install flue and connect to appliance

- Flue installation must meet the requirements of AS/NZS 5601.1:2013 and comply with all local council requirements and be installed and certified by a suitably qualified person.
- Refer to appropriate 'The Fire Dept' product specifications for specific minimum requirements. Only follow the '**Wall cowl assembly details**' (below) if the flue is to be terminated through a wall.
- A 25mm clearance from combustible materials, 75mm clearance from wiring and plastic pipes and a minimum of 5mm from non-combustible materials is required when installing a flue system for any appliance supplied by 'The Fire Dept.'.
- The flue installation requires a restriction free cavity from the top of the firebox (flue spigot) to the outside atmosphere.
- Air flow must be unobstructed from the firebox to the inner flue and from the heat shield to outer casing allowing air to circulate from the firebox to the flue casings to the atmosphere.

In-Line Fan assembly details



Step 1: Connect the flue and outer casing to the firebox

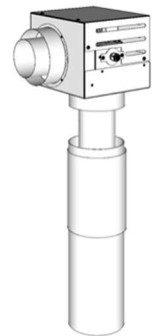
1. Make sure the In-line Fan has adequate access for future maintenance.
2. Run the flue from the fire to the location of the In-line Fan.
3. Run the outer casing from the fire to finish 90mm shorter than the flue.

Note: The outer casing must have the crimped end removed.



Step 2: Connect the In-Line Fan to the flue and outer casing

1. Fit the Casing slip over the outer casing.
 2. Fit the flue over the inlet spigot to the In-Line Fan.
- Note:** The end of the flue must not finish past (inside) the line off the outer casing spigot.
3. Fix the flue to the inlet spigot at the In-Line Fan.

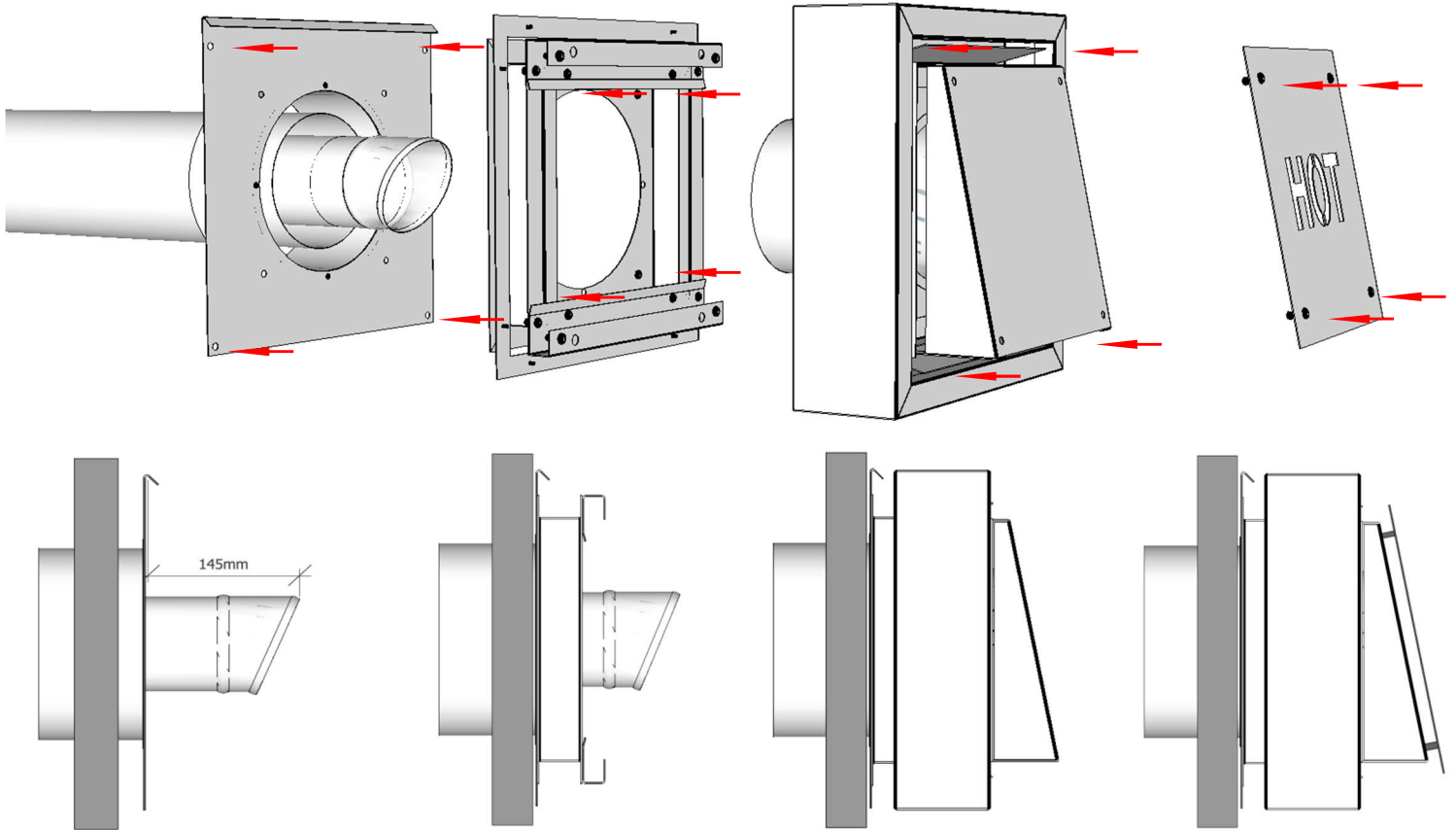


Step 3 Complete the flue installation

1. Slide the casing slip up the outer casing and over the outer casing spigot at the In-Line Fan.
2. Fix the casing slip to the outer casing and the In-Line fan
3. Complete the flue installation .Refer to appropriate Fire Dept product specification for fixing details and specific minimum requirements.



Wall cowl assembly details



Step 1:

Fix back panel to wall

1. Back panel must be flashed in accordance with NZBC.
2. Outer flue casing to finish flush with front of back panel.
3. Flue to finish 145mm out from back panel.

Step 2:

Fix cowl support to back panel

1. Cowl support is fixed to back panel with 4 x 5mm cap screws
2. Seal between cowl support and back panel with heat proof sealer.

Step 3:

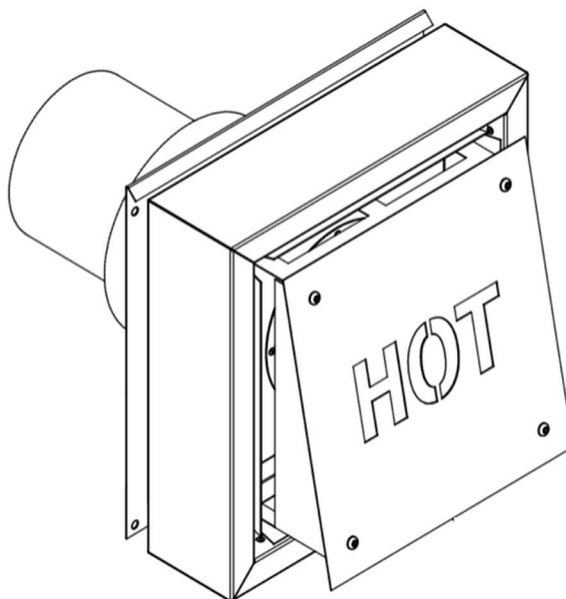
Fix cowl to cowl support

1. Cowl is fixed to back panel with 4 x 5mm cap screws
2. The outer casing spigot (attached to the cowl) will slide into the outer flue casing.

Step 4:

Fix HOT panel to the cowl.

1. Hot panel is fixed to back panel with 4 x 5mm cap screws



Step 5: Connect and test electrical supply

- **All electrical connections must meet the requirements of AS/NZS 3000 and be installed and certified by a suitably qualified person.**
- In order to access the electricals, it is necessary to first remove the glass and the burner tray.
- **Note:** glass removal is best carried out by two people.
- Carefully remove glass, as described earlier in this guide.
- Remove the burner tray by following the '**Burner Tray Removal Process**' in Step 3 of this guide.
- With the burner tray removed, example electrical connections between the appliance and the switch can be seen, using 5-core (minimum 1mm) cable.
- The electrical connection to the exhaust fan can also be seen.
- The supplied switch can either be used, or discarded.
- Following these connection details, using the 5-core cable that has been run at site, connect the 5-core cable to the appliance.
- **IMPORTANT: Before testing, ensure the gas valve is turned off.**

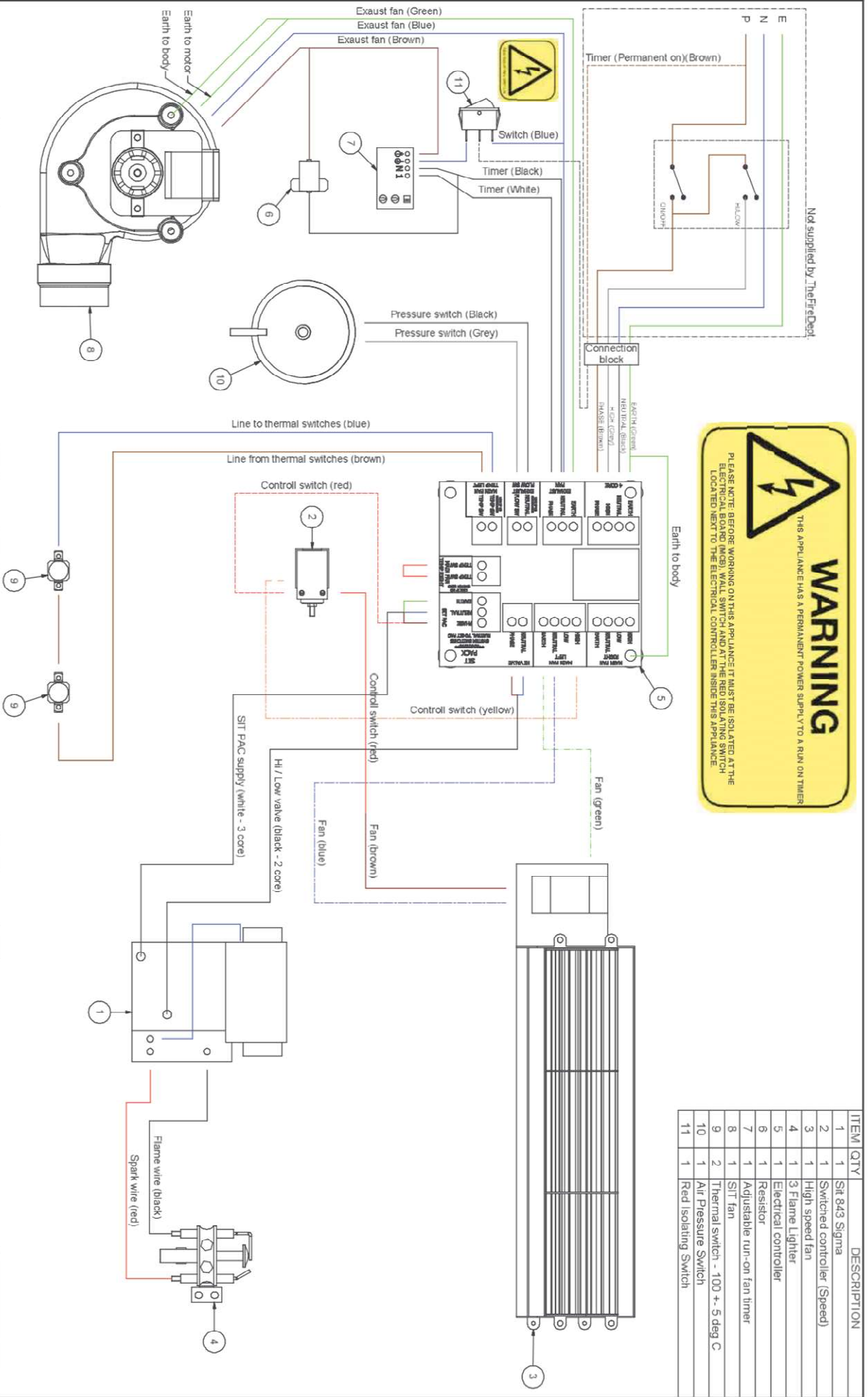


- Test electrical functions by switching the bottom High/Low switch to LOW, then switch the fire ON using the top On/Off switch.
- The fan will start and after approximately five seconds, the pilot will spark. Because the gas supply is turned off, the pilot will spark for approximately five seconds then automatically switch off. The fan will continue to operate.
- **NOTE:** GD1 1200 models have one fan which operate in both LOW and HIGH settings. GD1 1500 & GD1 1600 models have two fans which operate in both LOW and HIGH settings.
- Switch to HIGH setting. Ensure that a red light appears on electrical connections block.
- Switch appliance off. Electrical testing is complete.
- Replace the burner tray by following the '**Burner Tray Installation Process**' in Step 3 of this guide.
- Carefully replace glass by simply reversing the glass removal process.

WARNING

THIS APPLIANCE HAS A PERMANENT POWER SUPPLY TO A RUN ON TIMER

PLEASE NOTE: BEFORE WORKING ON THIS APPLIANCE IT MUST BE ISOLATED AT THE ELECTRICAL BOARD (MGB) WALL SWITCH AND AT THE RED ISOLATING SWITCH LOCATED NEXT TO THE ELECTRICAL CONTROLLER INSIDE THIS APPLIANCE.



ITEM	QTY	DESCRIPTION
1	1	Sit 843 Sigma
2	1	Switched controller (Speed)
3	1	High speed fan
4	1	3 Flame Lighter
5	1	Electrical controller
6	1	Resistor
7	1	Adjustable run-on fan timer
8	1	SIT fan
9	2	Thermal switch - 100 +/- 5 deg C
10	1	Air Pressure Switch
11	1	Red Isolating Switch

COPYRIGHT ©
 THE FIRE DEPT.
 ALL RIGHTS RESERVED

THIS DRAWING IS THE PROPERTY
 OF THE FIRE DEPT.
 AND IS NOT TO BE REPRODUCED OR
 COPIED IN ANY MANNER WITHOUT
 THE WRITTEN PERMISSION OF
 THE PROPRIETORS

REV	DATE	REV.	REVISIONS	CHKD	DATE	APPD
0	2017/01/20	J.S.	ISSUED FOR MANUFACTURE			
1	2019/05/15	J.S.	DIAGRAM UPDATED			
2	2019/07/29	J.S.	DIAGRAM LINE COLOURS UPDATED			
3	2019/09/11	J.S.	ISOLATION SWITCH ADDED			

Client: THE FIRE DEPT. - STANDARD SERIES
 Project: GDI1
 Title: Electrical line diagram
 Drawn: J SCHEMANN
 Date: 19/10/2017
 Appd: [Signature]
 Scale: on A2

Drawing No: GDI-1200-451
 Sheet 1 of 1
 Revision 3

Step 6: Connect gas supply and commission

- **Gas installation, connection and commissioning must meet the requirements of AS/NZS 5601.1:2013 and be installed and certified by a suitably qualified person.**
- In order to access the gas supply and testing area, it is necessary to first remove the glass and the burner tray.

- Follow the '**Glass removal process**' in this guide.

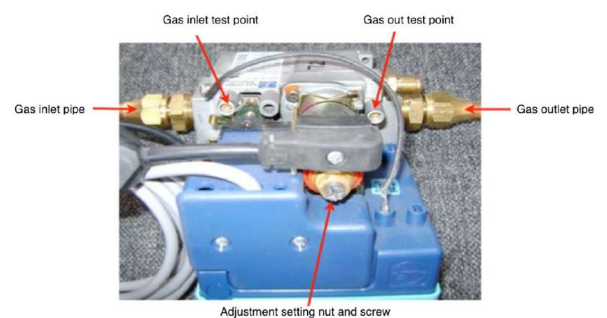
- Remove the burner tray by following the '**Burner tray removal process**' in this guide.

- Connect 3/8 soft copper pipe to main valve.

- Leak test all joints.



- Test / adjust high first and then the low pressures against rating plate specifications.



- In the unlikely event that the rating plate is not attached, **Do Not** commission the fire and contact The Fire Dept immediately.

- Switch the appliance off.

- Replace the burner tray by following the '**Burner Tray Installation Process**' in this guide.

- Switch the appliance on.

- **Note:** due to lack of firebed and glass, it may be necessary to manually light burners.



- Switch the appliance off

- Lay firebed in accordance with instructions in Step 7 of this guide.

- Carefully replace glass by following the '**Glass installation process**' in this guide.

- Send gas certificate to appropriate person.

Step 7: Lay the firebed

- The GD1 has three firebed options: River Rocks, Beach Driftwood & Forest Logs.
- Particular care should be taken when placing the chosen firebed mediums into the burner tray. Failure to place the medium correctly may result in the fire performing inefficiently.
- Open the firebed cardboard box and identify firebox mediums.

River Rocks option has two firebed mediums:

Vermiculite – 2 or 3 bags

White rocks – large and small



GD1 1200



GD1 1500 & 1600

Beach Driftwood option has three firebed mediums:

Vermiculite – 2 or 3 bags

White rocks – large and small

Driftwood – large and small



GD1 1200



GD1 1500 & 1600

Forest Logs option has three firebed mediums:

Vermiculite – 2 or 3 bags

White rocks – large and small

Logs – large and small



GD1 1200



GD1 1500 & 1600

How to lay Vermiculite

- In order to access the burner tray, it is necessary to first remove the glass.
- **Note:** glass removal is best carried out by two people.
- Follow the '**Glass removal process**' in this guide.
- Lift glass away from the appliance and lay flat in a safe place with insulating material facing down.

- Beginning in the middle at the back of the burner, carefully empty the bags of vermiculite into the burner tray.
- Ensure not to spill any vermiculite in cavities in front of and behind burner tray.
- Do not pour vermiculite directly into burner slots.



- Fill area behind burner up to top of burner tray. Use hand to spread out and push under burner.



- Fill up area in front of burner and gently pat down vermiculite to ensure it is spread evenly throughout the burner tray.



- Using a small Allen key (or similar), remove any vermiculite that may have fallen into burner slots.



- If natural gas is being used, leave burner slots slightly exposed.



- If LPG is being used, lightly cover burner slots in a thin layer of vermiculite by adding at back of burner tray and gently sweeping forward.



- If LPG is being used, small burner slots should be just visible.



- Vermiculite layer complete.



How to lay River Rocks Firebed – GD1 1200

- Lay large rocks first, in these positions.



- Lay small rocks next, in these positions.



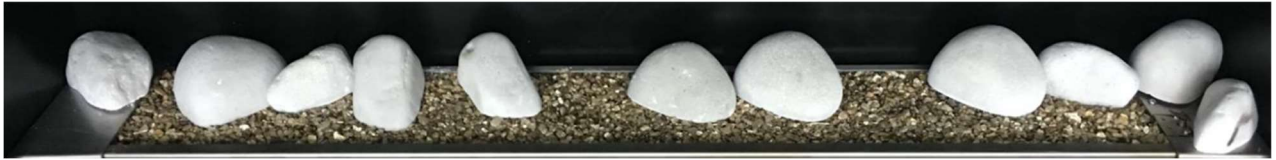
- With glass still removed, switch fire on at 'HIGH' setting to check how flame looks. The flame will take 10-20 seconds to light fully.



- **IMPORTANT:** the flame effect should look natural and non-uniform, running the entire length of the burner.
- Common flame effect issues are:
 - o Flame touching edge of burner tray.
 - o Missing flames along length of burner.
- Both these issues can be resolved by switching the appliance off and slightly repositioning rocks and logs at the problem areas.
- Repeat this switching on/off and repositioning until a natural and non-uniform flame effect is achieved.
- Once a natural and non-uniform flame effect is achieved, switch the appliance to 'LOW' setting and ensure the flame effect, although smaller, still looks good.
- Switch the appliance off and carefully replace glass by simply reversing the glass removal process.
- Switch the appliance on and check that flame effect still looks natural and non-uniform.
- **Note:** it is normal for the glass to mist a little when the appliance is first switched on. This will quickly disappear.

How to lay River Rocks Firebed – GD1 1500 & 1600

- Lay large rocks first, in these positions.



- Lay small rocks next, in these positions.



- With glass still removed, switch the appliance on at 'HIGH' setting to check how flame looks. The flame will take 10-20 seconds to light fully.



- **IMPORTANT:** the flame effect should look natural and non-uniform, running the entire length of the burner.
- Common flame effect issues are:
 - o Flame touching edge of burner tray.
 - o Missing flames along length of burner.
- Both these issues can be resolved by switching the appliance off and slightly repositioning rocks and logs at the problem areas.
- Repeat this switching on/off and repositioning until a natural and non-uniform flame effect is achieved.
- Once a natural and non-uniform flame effect is achieved, switch the appliance to 'LOW' setting and ensure the flame effect, although smaller, still looks good.
- Switch the appliance off and carefully replace glass by simply reversing the glass removal process.
- Switch the appliance on and check that flame effect still looks natural and non-uniform.
- **Note:** it is normal for the glass to mist a little when the appliance is first switched on. This will quickly disappear.

How to lay Beach Driftwood Firebed – GD1 1200

- Lay logs first, in these positions



- Lay rocks next, in these positions.



- With glass still removed, switch the appliance on at 'HIGH' setting to check how flame looks. The flame will take 10-20 seconds to light fully.



- **IMPORTANT:** the flame effect should look natural and non-uniform, running the entire length of the burner.
- Common flame effect issues are:
 - o Flame touching edge of burner tray.
 - o Missing flames along length of burner.
- Both these issues can be resolved by switching the appliance off and slightly repositioning rocks and logs at the problem areas.
- Repeat this switching on/off and repositioning until a natural and non-uniform flame effect is achieved.
- Once a natural and non-uniform flame effect is achieved, switch the appliance to 'LOW' setting and ensure the flame effect, although smaller, still looks good.
- Switch the appliance off and carefully replace glass by simply reversing the glass removal process.
- Switch the appliance on and check that flame effect still looks natural and non-uniform.
- **Note:** it is normal for the glass to mist a little when the appliance is first switched on. This will quickly disappear.

How to lay Beach Driftwood Firebed - GD1 1500 & 1600

- Lay logs first, in these positions.



- Lay rocks next, in these positions.



- With glass still removed, switch the appliance on at 'HIGH' setting to check how flame looks. The flame will take 10-20 seconds to light fully.



- **IMPORTANT:** the flame effect should look natural and non-uniform, running the entire length of the burner.
- Common flame effect issues are:
 - o Flame touching edge of burner tray.
 - o Missing flames along length of burner.
- Both these issues can be resolved by switching the appliance off and slightly repositioning rocks and logs at the problem areas.
- Repeat this switching on/off and repositioning until a natural and non-uniform flame effect is achieved.
- Once a natural and non-uniform flame effect is achieved, switch the appliance to 'LOW' setting and ensure the flame effect, although smaller, still looks good.
- Switch the appliance off and carefully replace glass by simply reversing the glass removal process.
- Switch the appliance on and check that flame effect still looks natural and non-uniform.
- **Note:** it is normal for the glass to mist a little when the appliance is first switched on. This will quickly disappear.

How to lay Forest Logs Firebed – GD1 1200

- Lay logs first, in these positions.



- Lay rocks next, in these positions.



- With glass still removed, switch the appliance on at 'HIGH' setting to check how flame looks. The flame will take 10-20 seconds to light fully.



- **IMPORTANT:** the flame effect should look natural and non-uniform, running the entire length of the burner.
- Common flame effect issues are:
 - o Flame touching edge of burner tray.
 - o Missing flames along length of burner.
- Both these issues can be resolved by switching the appliance off and slightly repositioning rocks and logs at the problem areas.
- Repeat this switching on/off and repositioning until a natural and non-uniform flame effect is achieved.
- Once a natural and non-uniform flame effect is achieved, switch fire to 'LOW' setting and ensure the flame effect, although smaller, still looks good.
- Switch the appliance off and carefully replace glass by simply reversing the glass removal process.
- Switch the appliance on and check that flame effect still looks natural and non-uniform.
- **Note:** it is normal for the glass to mist a little when the appliance is first switched on. This will quickly disappear.

How to lay Forest Logs Firebed – GD1 1500 & 1600

- Lay logs first, in these positions.



- Lay rocks next, in these positions.



- With glass still removed, switch the appliance on at 'HIGH' setting to check how flame looks. The flame will take 10-20 seconds to light fully.



- **IMPORTANT:** the flame effect should look natural and non-uniform, running the entire length of the burner.
- Common flame effect issues are:
 - o Flame touching edge of burner tray.
 - o Missing flames along length of burner.
- Both these issues can be resolved by switching the appliance off and slightly repositioning rocks and logs at the problem areas.
- Repeat this switching on/off and repositioning until a natural and non-uniform flame effect is achieved.
- Once a natural and non-uniform flame effect is achieved, switch the appliance to 'LOW' setting and ensure the flame effect, although smaller, still looks good.
- Switch the appliance off and carefully replace glass by simply reversing the glass removal process.
- Switch the appliance on and check that flame effect still looks natural and non-uniform.
- **Note:** it is normal for the glass to mist a little when the appliance is first switched on. This will quickly disappear.

Step 8: Show owner how to operate appliance

- Following the GD1 Operating Instructions on the next page, show the owner how to switch the fire on and off, and how to switch between high and low settings.
- If the owner is not available, leave this manual by the appliance.

GD1 OPERATING INSTRUCTIONS

The GD1 appliance has been designed to be simple to use. It is controlled by a wall switch, which must be installed by a qualified electrician.

To start appliance:

- Press the on/off switch to the ON position.
- Press the high/low switch to the HIGH position.
- The electronic solenoid pack will start to click.
- Gas will then be released and ignited at the pilot valve.
- The safety sensor will allow the main burner pipe to ignite and flames will appear. The whole process will take between 10-20 seconds.
- Once the flame appears, it can be turned down to the low setting by pressing the high/low switch to LOW.
- The LOW setting provides a flame height of approximately 80mm. The HIGH setting provides a flame height of approximately 150mm

To shut down appliance:

- Press the on/off switch to the OFF position.
- The gas will automatically be shut off to the pilot valve and the burner. The flame will then extinguish.

.....

TROUBLESHOOTING

Problem	Probable Cause	Action
Appliance doesn't start	<ol style="list-style-type: none"> 1. No gas supply 2. No power supply 3. Low or poor pilot flame 4. Signal from flame rectifier interrupted 5. Signal to sparker electrode interrupted 6. Incorrect sparker electrode gap 7. Glass not correctly positioned 	<ol style="list-style-type: none"> 1. Check gas supply 2. Check power supply 3. Check flame size and pressure 4. Check flame rectifier and wire to sit pack 5. Check sparker gap and wire to sit pack 6. Check sparker electrode gap is 3mm 7. Reposition glass
Appliance shuts down	<ol style="list-style-type: none"> 1. Low gas supply 2. Low or poor pilot flame 3. Signal to flame rectifier interrupted 	<ol style="list-style-type: none"> 1. Check gas supply 2. Check flame size and pilot flame pressure 3. Check flame rectifier and wire to sit pack
Flame in not running the full length of the burner	The firebed is not aligned to the burner	Re-lay the firebed to the specific model specifications detailed earlier in this guide
Flame is yellow and sooty	<ol style="list-style-type: none"> 1. Primary aeration ports have a blockage (LPG models only) 2. The firebed is not aligned to the burner 	<ol style="list-style-type: none"> 1. Check primary aeration ports for blockage and clear if required (LPG models only) 2. Re-lay the firebed to the specific model specifications detailed earlier in this guide
No flame at the pilot	Primary aeration ports have a blockage	Check primary aeration ports for blockage and clear if required

PRODUCT WARRANTY

IMPORTANT: Evidence of original purchase is required for warranty service.

WARRANTOR: 'The Fire Dept.' (Landscape Elements Ltd)
85 Newton Road
Mount Maunganui
PO Box 10275, Bayfair, Mount Maunganui

ELEMENT OF WARRANTY

'The Fire Dept.' warrants to the original retail owner for the duration of this warranty, it's fireboxes, gas burner tray, lighters, (herein after referred to as the Product) to be free from defects in materials and craftsmanship with only the limitations or exclusions set out below.

WARRANTY

This warranty will be deemed invalid if the Product is;

- (A) Installed by someone other than an authorised Fire Dept agent.
- (B) Not operated appropriately or "over-fired" in a manner resulting in the firebox operating excessively hot.
- (C) Not serviced and maintained by a certified gas fitter every 12 months.
- (D) Damaged by accident, neglect or misuse,
- (E) Repaired by someone other than an authorised Fire Dept repair agent for a defect or malfunction covered by this warranty.
- (F) Modified, altered or used as part of any conversion kits, subassemblies, or any configurations not sold by 'The Fire Dept.'
- (G) The product contains fire bricks and has not been subjected to the recommended first start-up and run-in procedure.
- (H) Used in conjunction with any equipment or parts or as part of a system not manufactured or supplied by 'The Fire Dept.'
- (I) External powder-coating within 200m of the high tide mark and not lightly washed with warm soapy water every three months.

Indoor appliances (Gas & Wood)

'The Fire Dept.'. warrants the mild steel firebox, galvanised steel outer skin and RHS Duragal steel support frame against defective materials and workmanship which would render it unfit for normal domestic use, from the date of purchase by the original consumer, for a period of 5 (five) years. Beyond normal heat-induced staining, tarnishing and mild warping, if a firebox, outer skin or support frame defect occurs, contact 'The Fire Dept.' and the defect will be repaired or replaced at our discretion with all costs covered.

'The Fire Dept.' warrants the SIT Pack (Gas regulator and controller) against defective materials and workmanship which would render it unfit for normal domestic use, from the date of purchase by the original consumer, for a period of 2 (two) years.

Components including fire medium, fans, tiles, glass and glass trim are warranted for a period of 2 (two) years from the date of original purchase, against defective materials and workmanship.

Outdoor appliances (Gas & Wood)

'The Fire Dept.' warrants the Mild Steel firebox, galvanised steel outer skin and RHS Duragal Steel support frame against defective materials and workmanship which would render it unfit for normal domestic use, from the date of purchase by the original consumer, for a period of 2 (two) years. Beyond normal heat-induced staining, tarnishing and mild warping, if a firebox, outer skin or support frame defect occurs, contact 'The Fire Dept.' and the defect will be repaired or replaced at our discretion with all costs covered.

'The Fire Dept.' warrants the SIT Pack (Gas regulator and controller) against defective materials and workmanship which would render it unfit for normal domestic use, from the date of purchase by the original consumer, for a period of 2 (two) years.

Components including fire medium, fans, tiles, glass and glass trim are warranted for a period of 2 (two) years from the date of original purchase for domestic use, against defective materials and workmanship.

STATEMENT OF REMEDY

In the event that the Product does not conform to this warranty at any time while this warranty is in effect, the Warrantor, at its discretion, will repair the defect or replace the part and return it to you without charge for parts or service. This warranty does not provide for reimbursement or payment of incidental or consequential damages.

This warranty does not in any way affect your rights under the Consumers Guarantee Act (New Zealand).