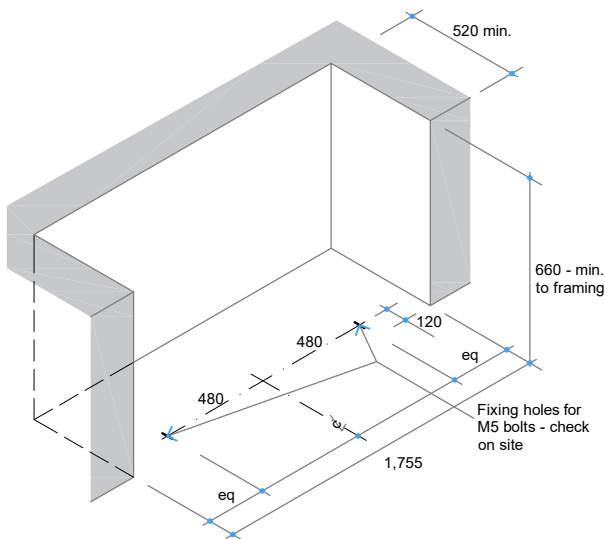
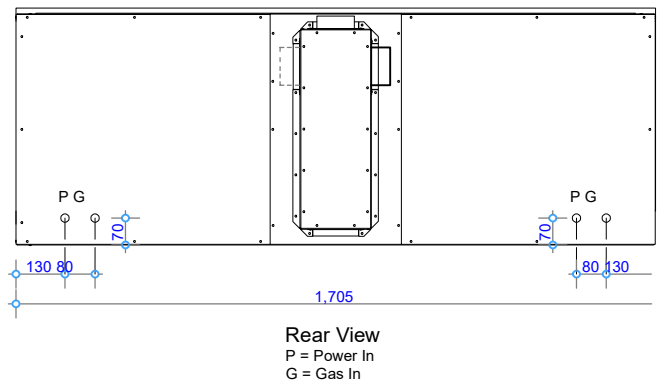
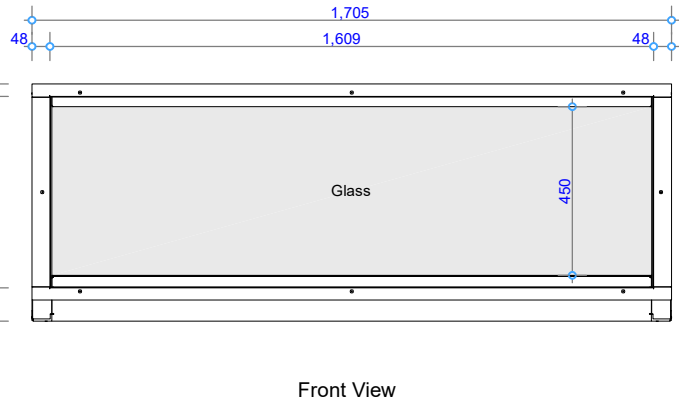
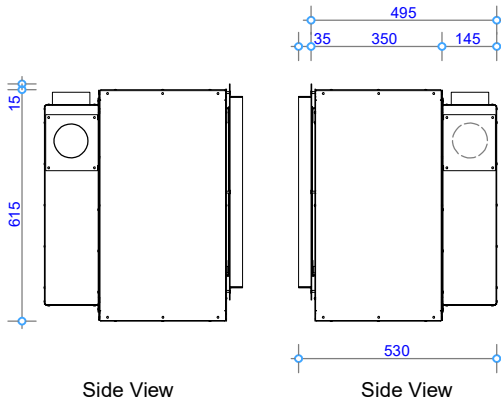
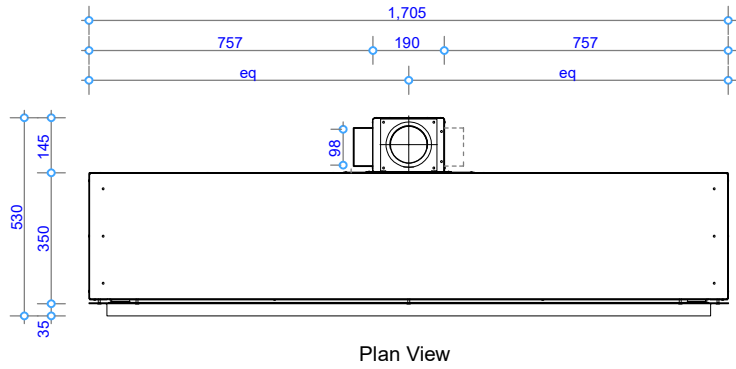




**GD1 | 1600  
SPECIFICATIONS**

Information in this specification may be subject to change without notice. Please ensure you have the current version before beginning installation.



Appliance Installation - Trim Sizes  
NOTE: Confirm fixing holes on site prior to drilling

COPYRIGHT©  
THIS DRAWING IS THE PROPERTY  
OF The Fire Dept.

Client: THE FIRE DEPT.

Product: GD1-1600

Title: FIREBOX DIMENSIONS

Drawn: LB

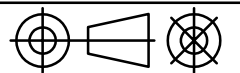
Date: 07/04/2020

Chkd: JW

Date: 08/05/2018

Appd: JW

Date: 08/05/2018



Scale: on A4

THE  
**FIRE  
DEPT.**  
HAND CRAFTED FIRES

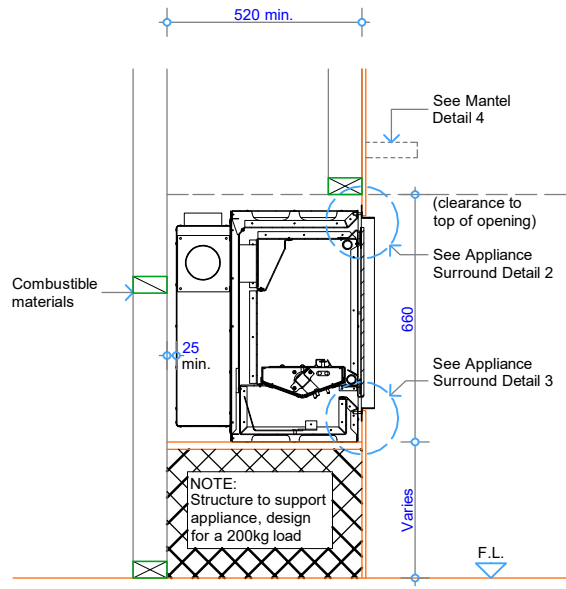
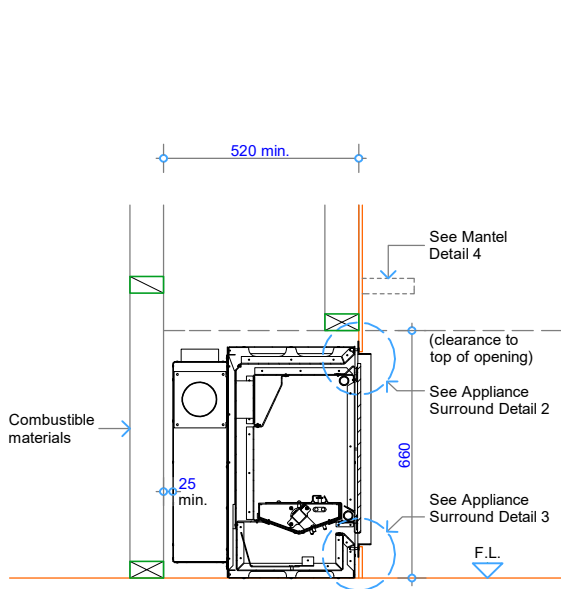
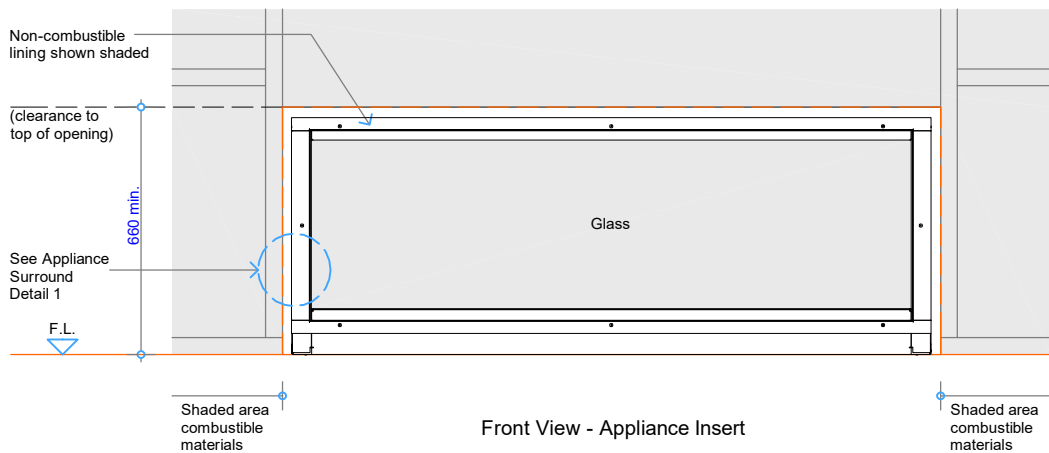
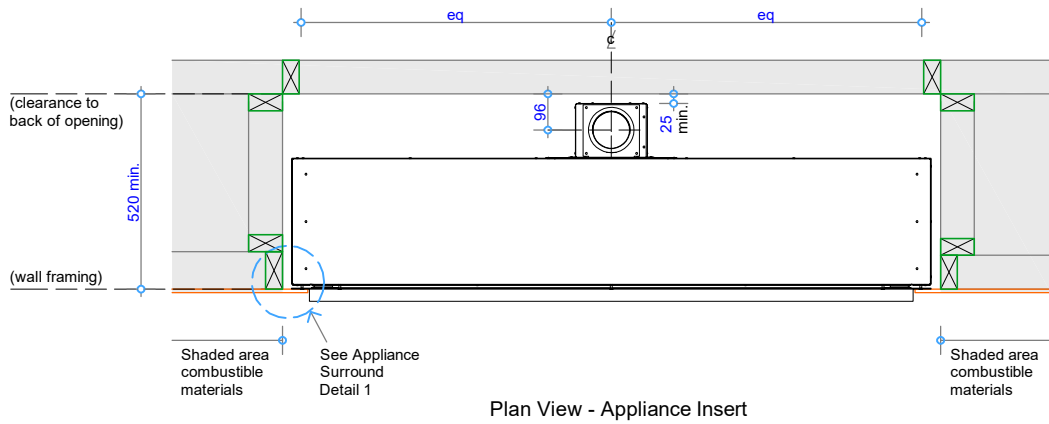
Drawing No.

GD1-1600-901

Sheet 01 of 10

Revision

6

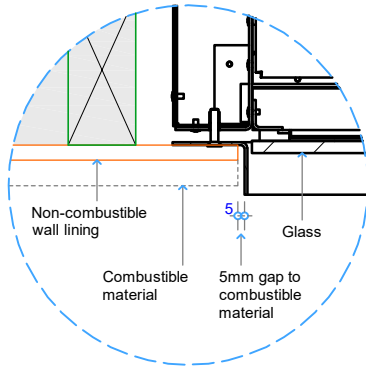


COPYRIGHT©  
THIS DRAWING IS THE PROPERTY  
OF The Fire Dept.

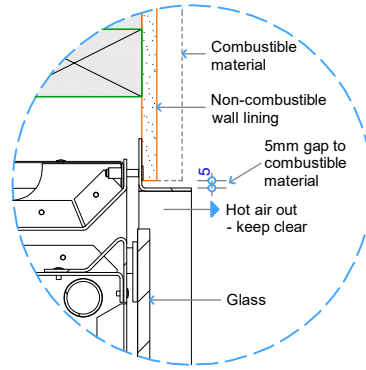
Client: THE FIRE DEPT.		
Product: GD1-1600		
Title: CAVITY CLEARANCES		
Drawn: LB	Date: 07/04/2020	
Chkd: JW	Date: 08/05/2018	
Appd: JW	Date: 08/05/2018	
Scale:		on A4



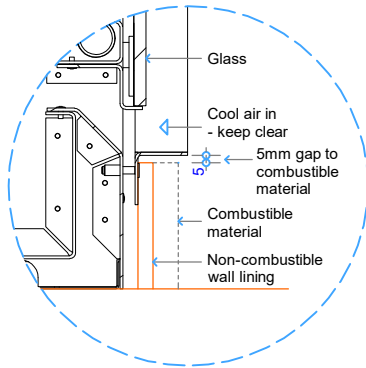
Drawing No.	GD1-1600-902	Sheet 02 of 10	Revision 6
-------------	--------------	----------------	------------



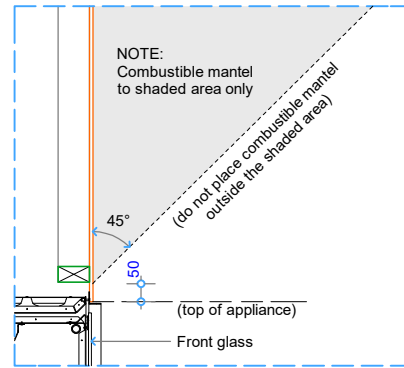
Detail 1 - Plan View Appliance Surround



Detail 2 - Top of Appliance to Combustible Materials



Detail 3 - Bottom of Appliance to Floor



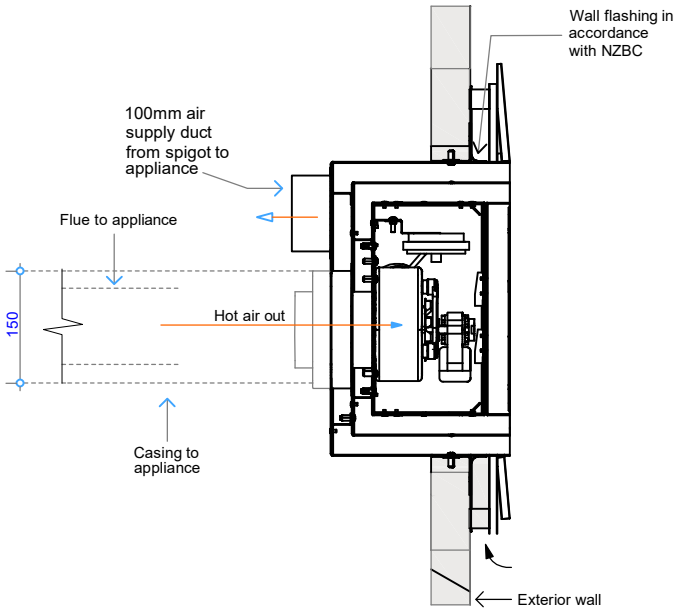
Detail 4 - Top of Appliance to Combustible Mantel

COPYRIGHT ©  
 THIS DRAWING IS THE PROPERTY  
 OF The Fire Dept.

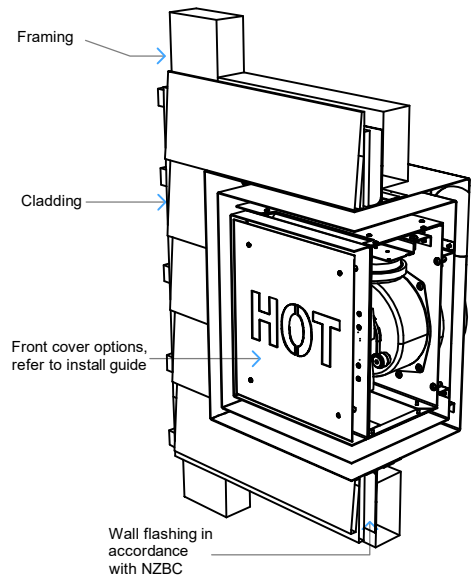
Client: THE FIRE DEPT.		
Product: GD1-1600		
Title: SURROUND DETAILS		
Drawn: LB	Date: 07/04/2020	
Chkd: JW	Date: 08/05/2018	
Appd: JW	Date: 08/05/2018	

**THE**  
**FIRE**  
**DEPT.**  
 HAND CRAFTED FIRES

Drawing No.	<b>GD1-1600-903</b>	Sheet 03 of 10	Revision <span style="border: 1px solid black; padding: 2px;">6</span>
-------------	---------------------	----------------	--



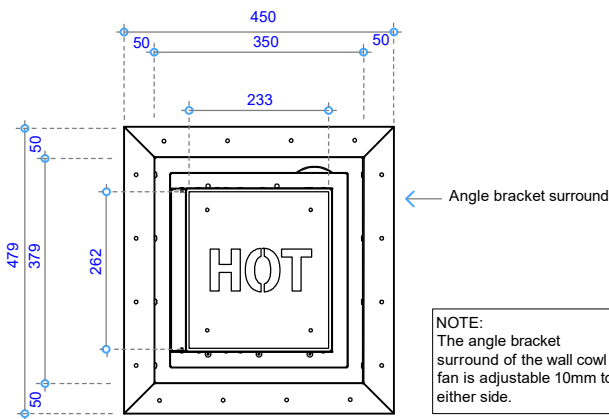
Detail - Combustion fan Option 1  
Wall cowl fan, horizontal exit



Detail - Wall cowl fan, horizontal exit

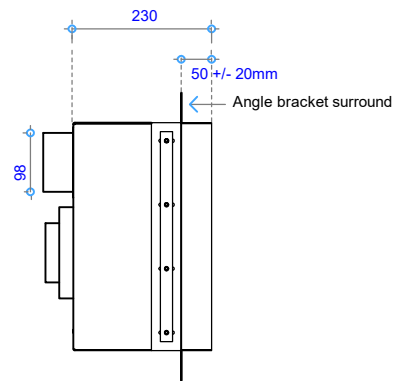
**NOTE:**  
Flue components must be installed to AS/NZS5601 requirements.  
All external penetration flashings must be installed in accordance with NZBC.  
Appliance supplied with 6m of 5 core cable from appliance to fan.  
Cavity airflow must be unobstructed from appliance to flue termination.  
25mm clearance between flue and combustible materials.  
75mm clearance between flue and wiring / plastic water pipes.  
Horizontal flue run must fall 20mm for every 1000mm towards the appliance.  
Each flue joint must be sealed with a heat proof sealer.  
Each flue joint must have a minimum of 4 x rivets.  
Flue to be adequately supported at 2.4m crs.

Flue components:  
100mm dia. Flue  
150mm dia. Casing  
100mm Ducting



Wall Cowl Fan Front View

**NOTE:**  
The angle bracket surround of the wall cowl fan is adjustable 10mm to either side.



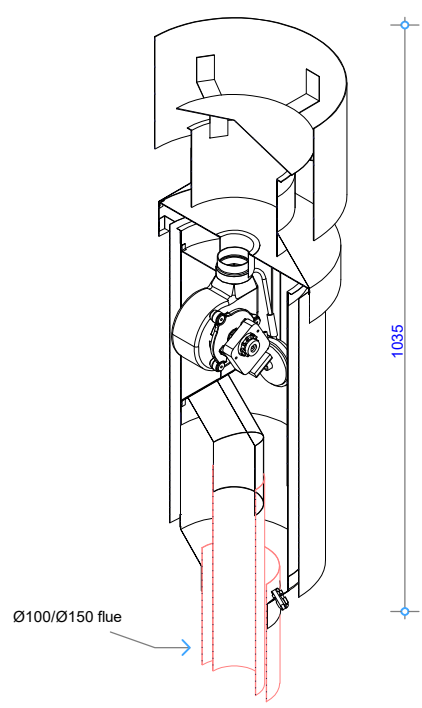
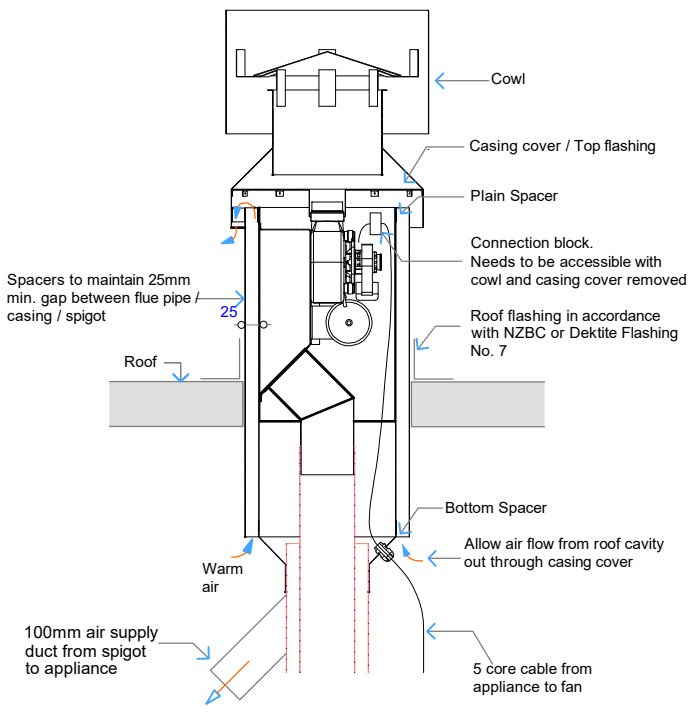
Wall Cowl Fan Side View

COPYRIGHT©  
THIS DRAWING IS THE PROPERTY  
OF The Fire Dept.

Client: THE FIRE DEPT.		
Product: GD1-1600		
Title: HORIZONTAL WALL COWL FAN EXIT DETAILS		
Drawn: LB	Date: 07/04/2020	
Chkd: JW	Date: 08/05/2018	
Appd: JW	Date: 08/05/2018	
Scale: on A4		



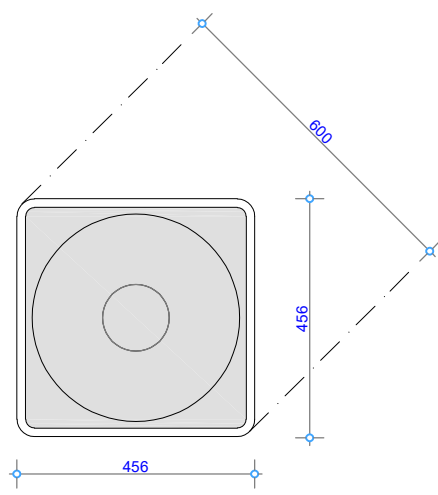
Drawing No. <b>GD1-1600-904</b>	Sheet 04 of 10	Revision <b>6</b>
---------------------------------	----------------	-------------------



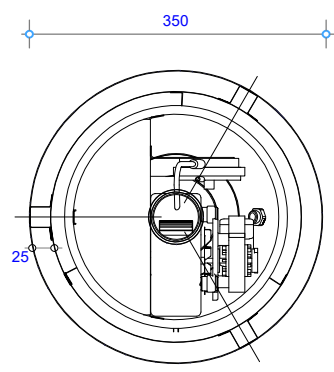
Detail - Combustion fan Option 2  
Cowl fan, vertical exit

**NOTE:**  
 Flue components must be installed to AS/NZS5601 requirements.  
 All external penetration flashings must be installed in accordance with NZBC.  
 Appliance supplied with 6m of 5 core cable from appliance to fan.  
 Cavity airflow must be unobstructed from appliance to flue termination.  
 25mm clearance between flue and combustible materials.  
 75mm clearance between flue and wiring / plastic water pipes.  
 Horizontal flue run must fall 20mm for every 1000mm towards the appliance.  
 Each flue joint must be sealed with a heat proof sealer.  
 Each flue joint must have a minimum of 4 x rivets.  
 Flue to be adequately supported at 2.4m crs.

**Flue components:**  
 100mm dia. Flue  
 150mm dia. Casing  
 300mm dia. Spigot  
 100mm Ducting



Dektite Flashing No. 7 - Plan View

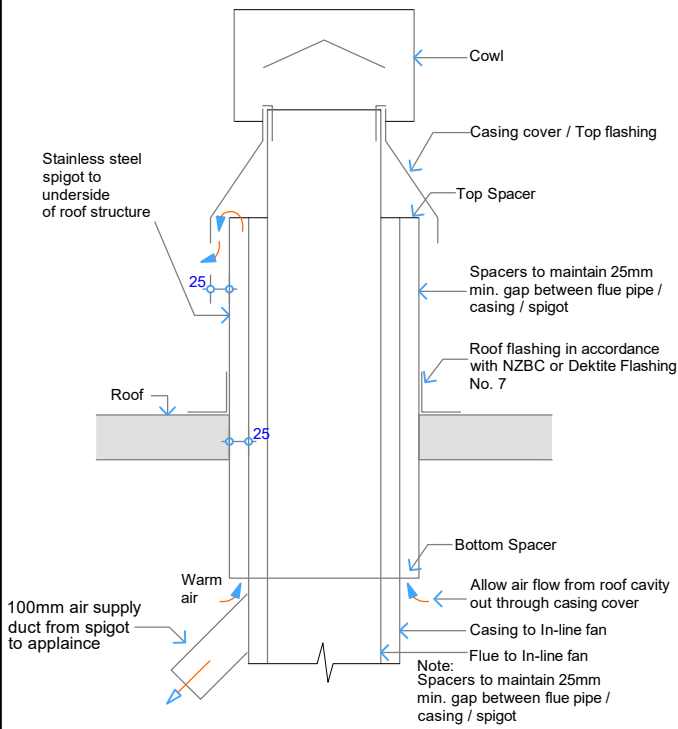


Cowl Fan Top View

COPYRIGHT ©  
 THIS DRAWING IS THE PROPERTY  
 OF The Fire Dept.

Client: THE FIRE DEPT.		
Product: GD1-1200		
Title: VERTICAL COWL FAN, EXIT DETAILS		
Drawn: LB	Date: 07/04/2020	
Chkd: JW	Date: 08/05/2018	
Appd: JW	Date: 08/05/2018	
Scale:		on A4



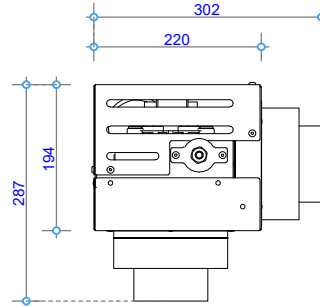


Detail - Air Ventilation through Casing cover/ Top flashing  
Option 3A - To be used in conjunction with Fan Option 3

**NOTE:**

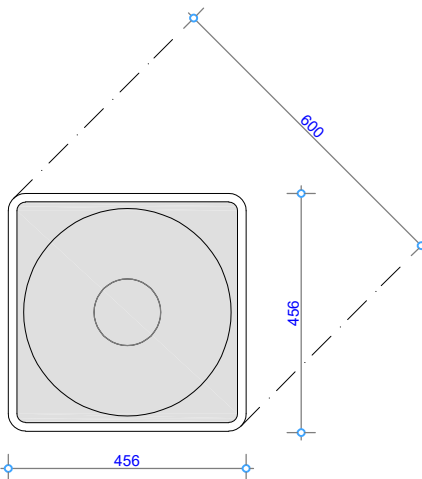
Flue components must be installed to AS/NZS5601 requirements.  
 All external penetration flashings must be installed in accordance with NZBC.  
 Appliance supplied with 6m of 5 core cable from fire to fan.  
 Cavity airflow must be unobstructed from fire to flue termination.  
 25mm clearance between flue and combustible materials.  
 75mm clearance between flue and wiring / plastic water pipes.  
 Horizontal flue run must fall 20mm for every 1000mm towards the fire.  
 Each flue joint must be sealed with a heat proof sealer.  
 Each flue joint must have a minimum of 4 x rivets.  
 Flue to be adequately supported at 2.4m crs.

Flue components:  
 100mm dia. Flue  
 150mm dia. Casing  
 200mm dia. Spigot  
 100mm Ducting

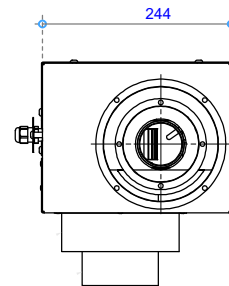


Detail - Combustion fan Option 3  
In-Line Fan Side View

NOTE: Requires access hatch for maintenance



Deklite Flashing No. 7 - Plan View



Detail - Combustion fan Option 3  
In-Line Fan Front View

NOTE: Requires access hatch for maintenance

COPYRIGHT ©  
 THIS DRAWING IS THE PROPERTY  
 OF The Fire Dept.

Client: THE FIRE DEPT.

Product: GD2-1200

Title: VERTICAL & HORIZONTAL FLUE EXIT DETAILS

Drawn: LB

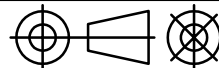
Date: 07/04/2020

Chkd: JW

Date: 08/05/2018

Appd: JW

Date: 08/05/2018



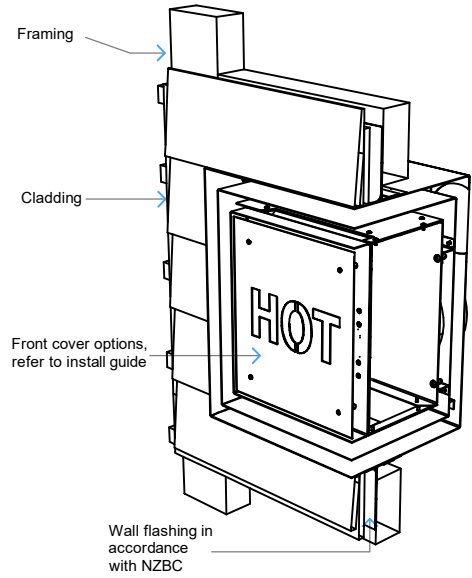
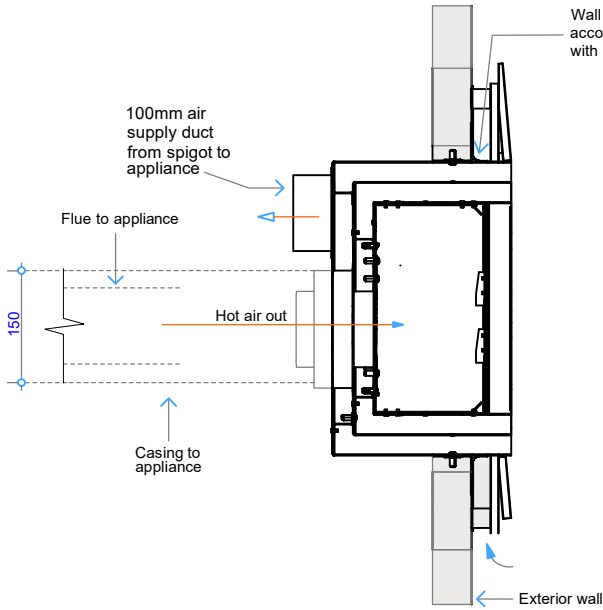
Scale: on A4

**THE FIRE DEPT.**  
**HAND CRAFTED FIRES**

Drawing No. **GD2-1200-906**

Sheet 06 of 10

Revision **5**

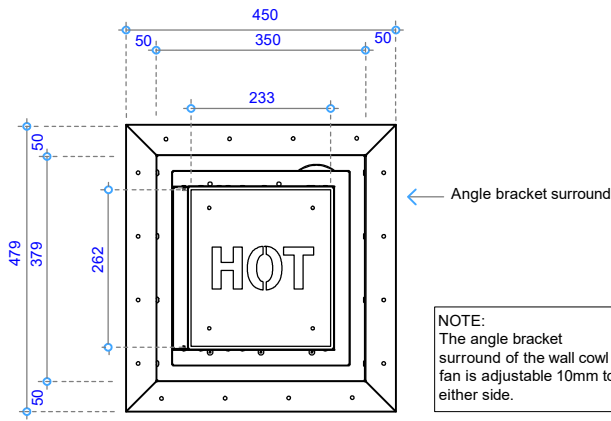


Detail - Wall cowl, horizontal exit  
Option 3B - To be used in conjunction with Fan Option 3

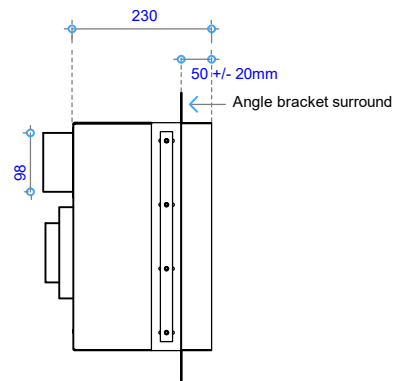
Detail - Wall cowl, horizontal exit

**NOTE:**  
Flue components must be installed to AS/NZS5601 requirements.  
All external penetration flashings must be installed in accordance with NZBC.  
Appliance supplied with 6m of 5 core cable from appliance to fan.  
Cavity airflow must be unobstructed from appliance to flue termination.  
25mm clearance between flue and combustible materials.  
75mm clearance between flue and wiring / plastic water pipes.  
Horizontal flue run must fall 20mm for every 1000mm towards the appliance.  
Each flue joint must be sealed with a heat proof sealer.  
Each flue joint must have a minimum of 4 x rivets.  
Flue to be adequately supported at 2.4m crs.

Flue components:  
100mm dia. Flue  
150mm dia. Casing  
100mm Ducting



Wall Cowl Front View



Wall Cowl Side View

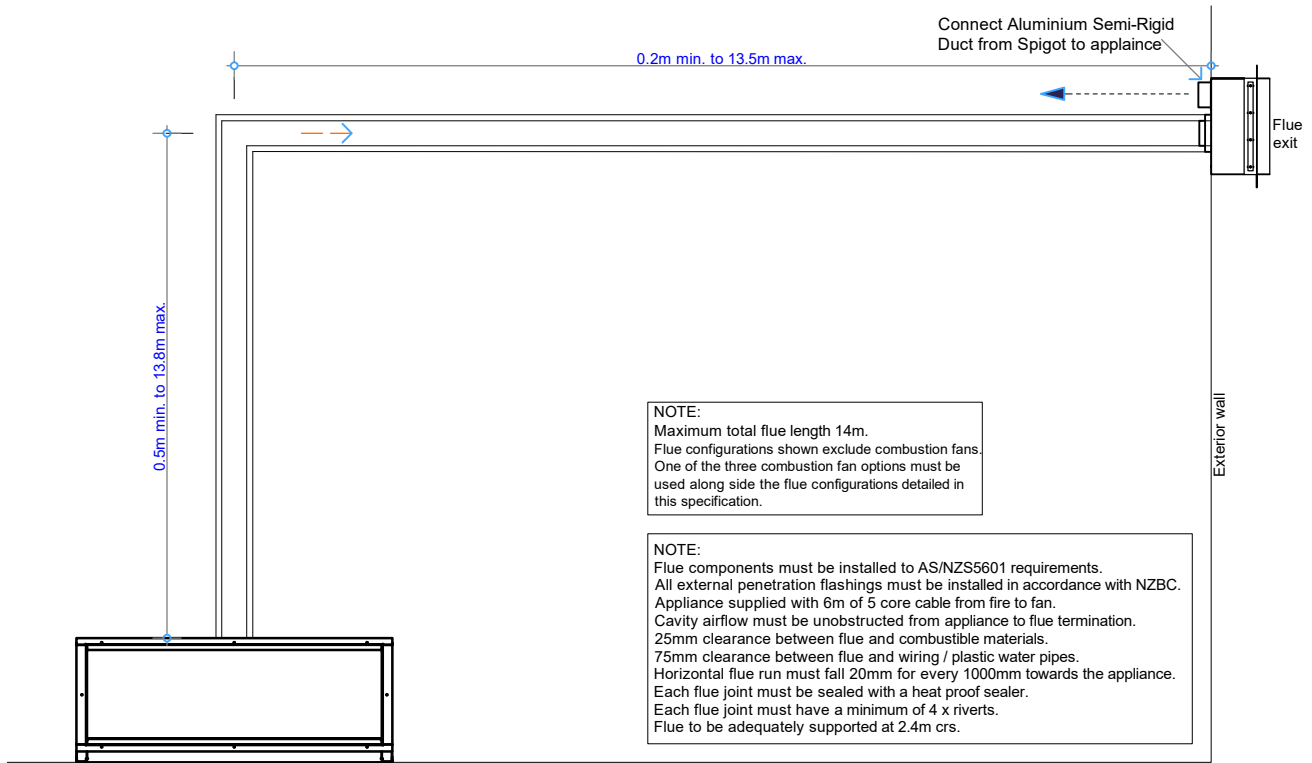
COPYRIGHT ©  
 THIS DRAWING IS THE PROPERTY  
 OF The Fire Dept.

Client: THE FIRE DEPT.		
Product: GD2-1200		
Title: HORIZONTAL WALL COWL EXIT DETAILS		
Drawn: LB	Date: 07/04/2020	
Chkd: JW	Date: 08/05/2018	
Appd: JW	Date: 08/05/2018	
Scale: on A4		

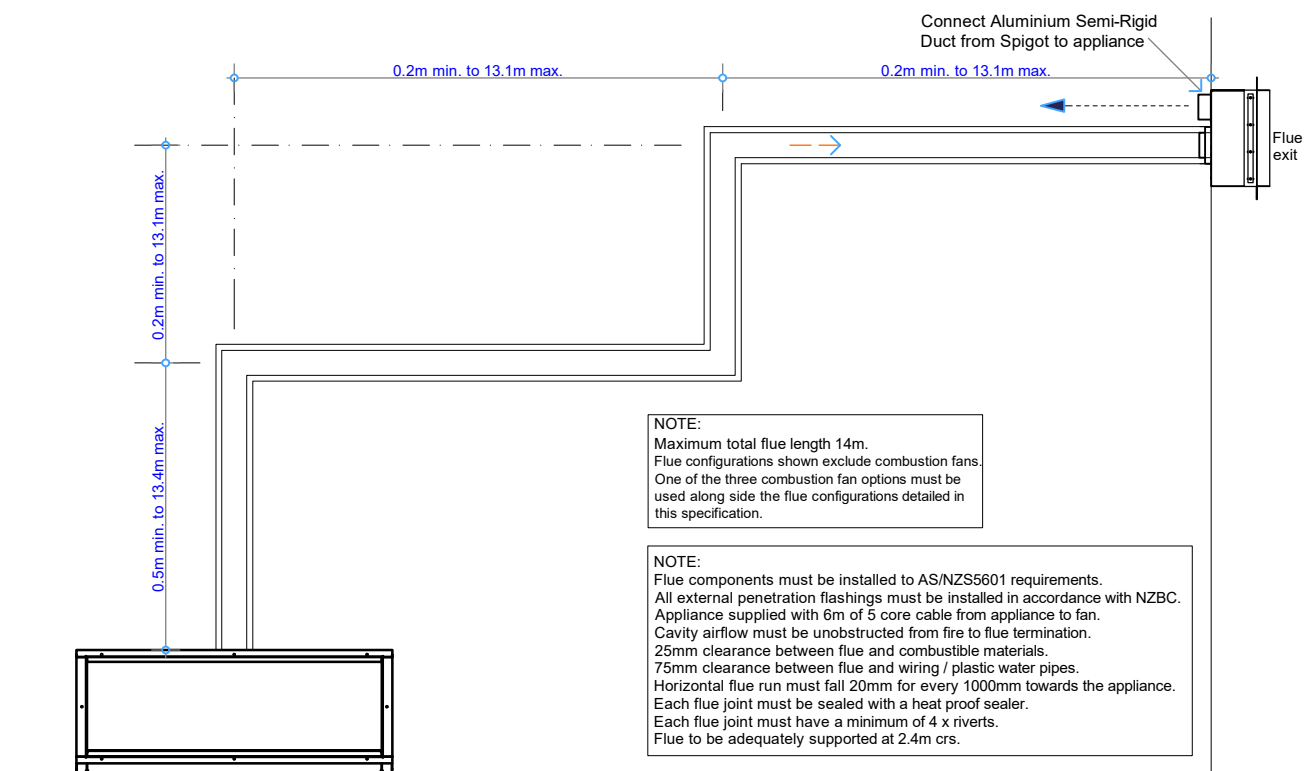


Drawing No. GD2-1200-907	Sheet 07 of 10	Revision 5
--------------------------	----------------	------------



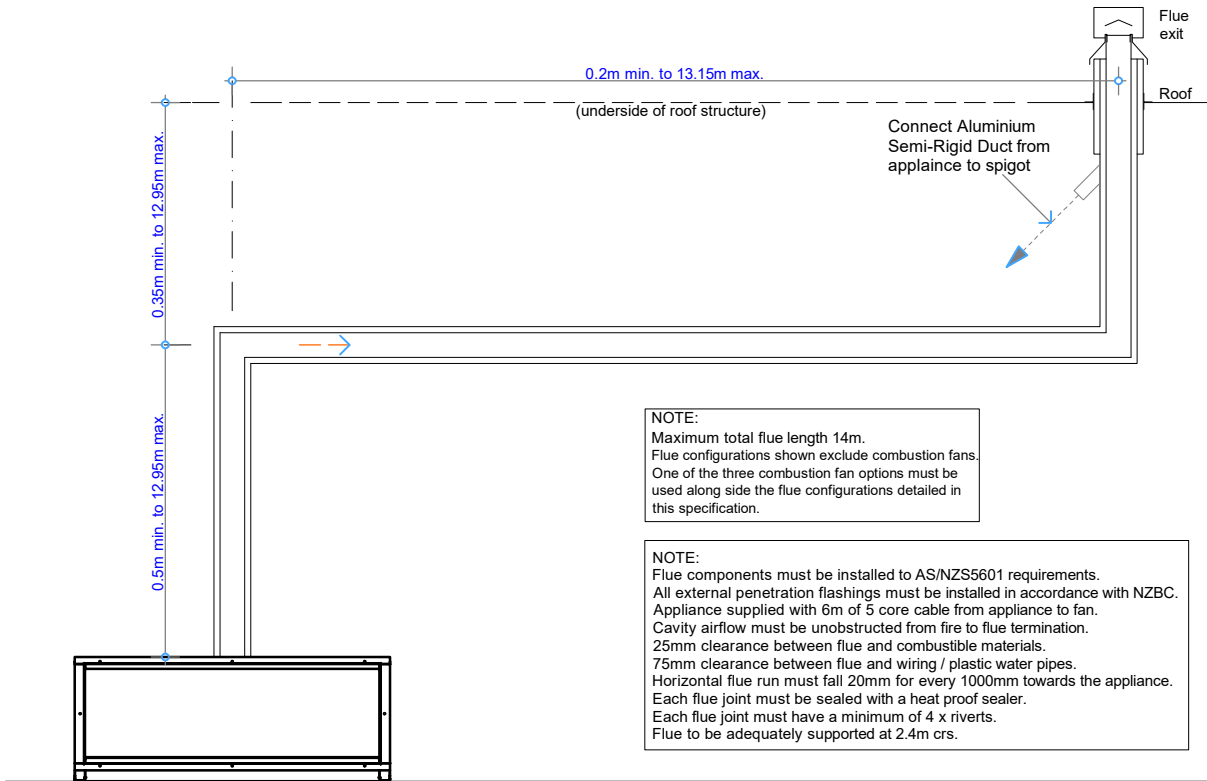


Horizontal Flue Combination GD1A

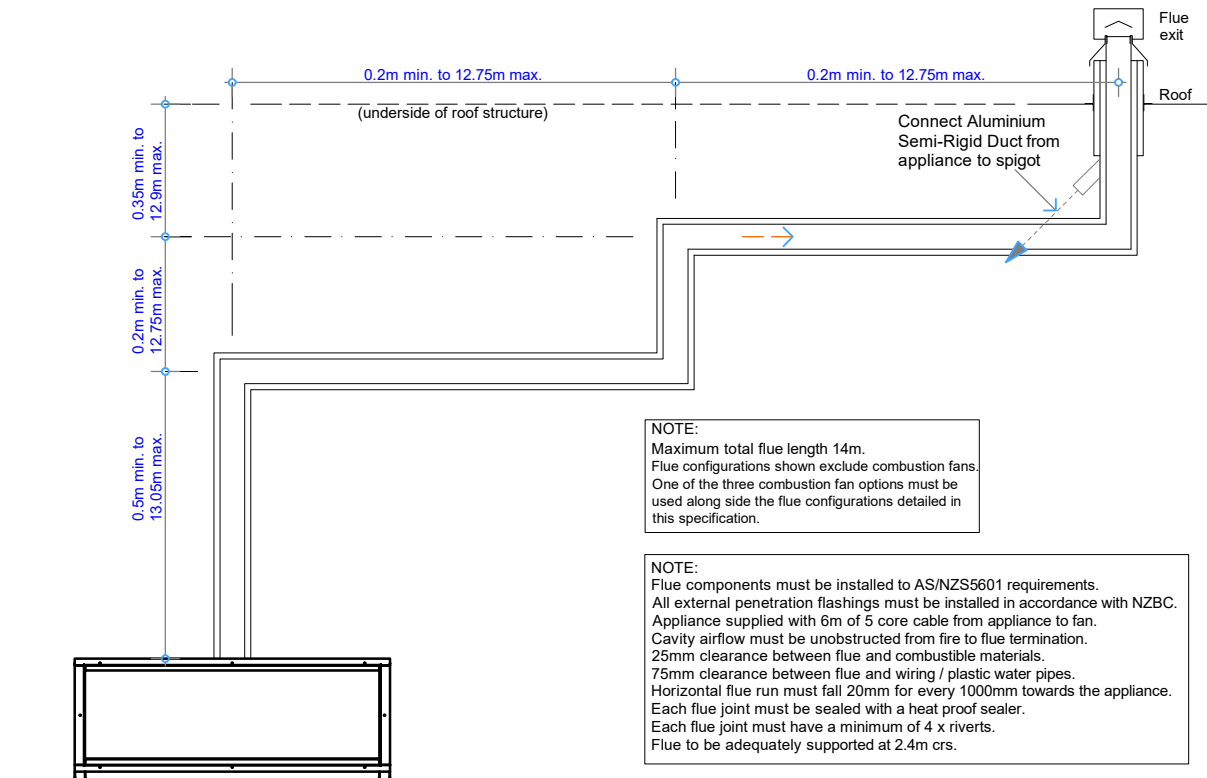


Horizontal Flue Combination GD1B

COPYRIGHT© THIS DRAWING IS THE PROPERTY OF The Fire Dept.	Client: THE FIRE DEPT.			
	Product: GD1-1600			
	Title: HORIZONTAL FLUE COMBINATION OPTIONS			
	Drawn: LB	Date: 07/04/2020		
	Chkd: JW	Date: 08/05/2018		
	Appd: JW	Date: 08/05/2018		
Drawing No. GD1-1600-908		Scale: on A4	Sheet 08 of 10	Revision 6



Vertical Flue Combination GD1C



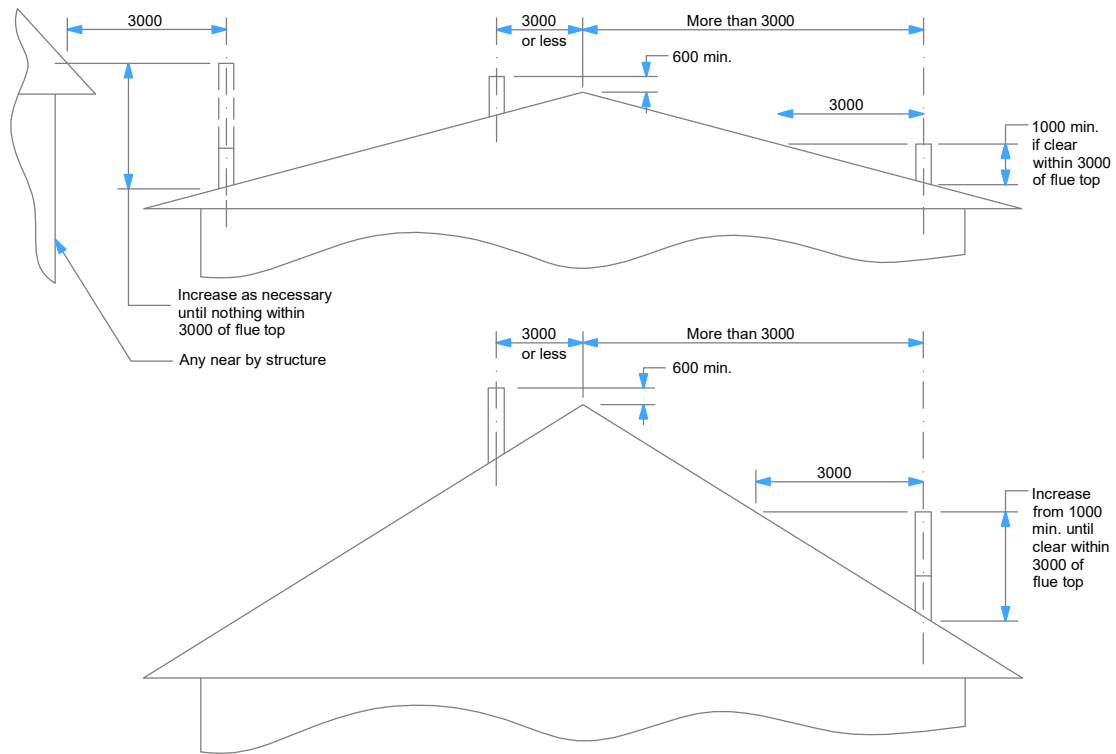
Vertical Flue Combination GD1D

COPYRIGHT ©  
 THIS DRAWING IS THE PROPERTY  
 OF The Fire Dept.

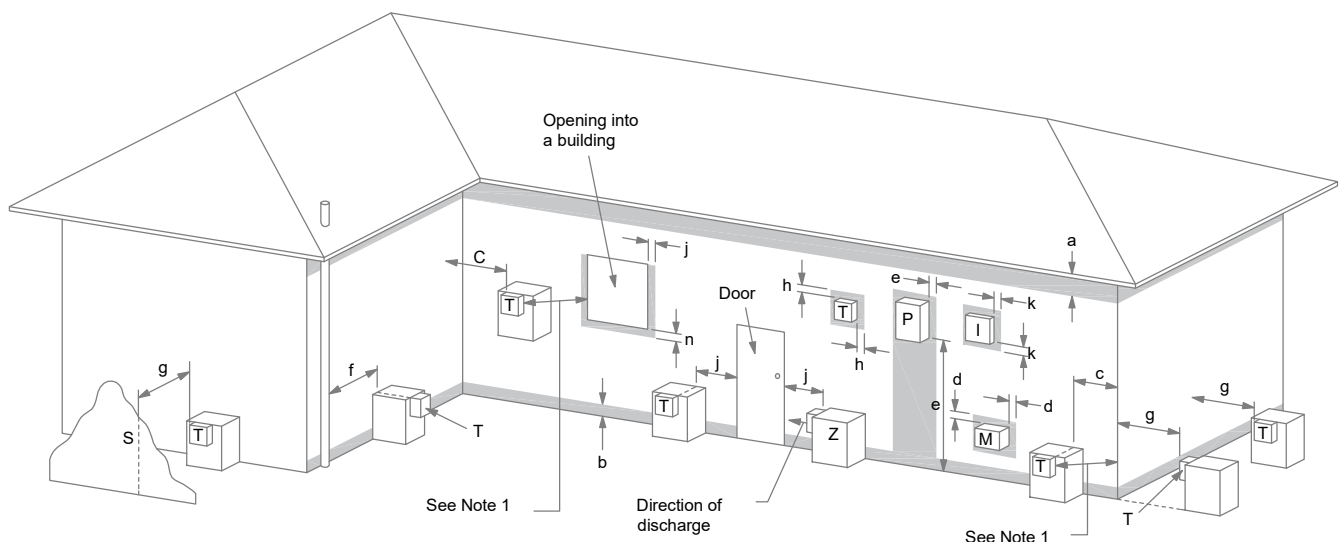
Client: THE FIRE DEPT.		
Product: GD1600		
Title: VERTICAL FLUE COMBINATION OPTIONS		
Drawn: LB	Date: 07/04/2020	
Chkd: JW	Date: 08/05/2018	
Appd: JW	Date: 08/05/2018	
Scale: on A4		



Drawing No.	<b>GD1-1600-909</b>	Sheet 09 of 10	Revision <span style="border: 1px solid black; padding: 2px;">6</span>
-------------	---------------------	----------------	--



Minimum Height of Flue System Exit  
Or as per AS/NZS 5601



LEGEND:

- I = Mechanical air inlet
- M = Gas meter
- P = Electricity meter or fuse box
- S = Structure
- T = Flue terminal
- Z = Fan-assisted appliance only

- a = 200
- b = 300
- c = 300
- d = 1000
- e = 500
- f = 75
- g = 500
- h = 300
- j = 300 (at window) & 1500 (fan-assisted appliance by the door)
- k = 1000
- n = 500

NOTES:

- 1 Where dimensions c, j or k cannot be achieved an equivalent horizontal distance measured diagonally from the nearest discharge point of the terminal to the opening may be deemed by the Technical Regulator to comply.

Shading indicates prohibited area for flue terminals

Location of Flue Terminals of Balanced Flue, Room-Sealed, Fan-Assisted or Outdoor Appliances

NOTE: To be read in conjunction with AS/NZS 5601.1:2013

COPYRIGHT ©  
 THIS DRAWING IS THE PROPERTY  
 OF The Fire Dept.

Client: THE FIRE DEPT.		
Product: GD1-1600		
Title: FLUE EXIT CLEARANCES		
Drawn: LB	Date: 07/04/2020	
Chkd: JW	Date: 08/05/2018	
Appd: JW	Date: 08/05/2018	
Scale: on A4		



Drawing No.	<b>GD1-1600-910</b>	Sheet 10 of 10	Revision <b>6</b>
-------------	---------------------	----------------	-------------------