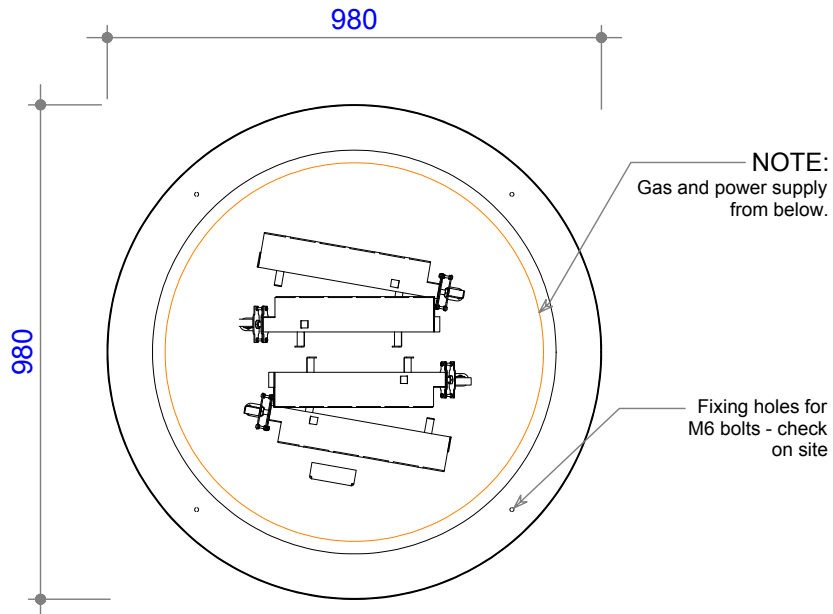
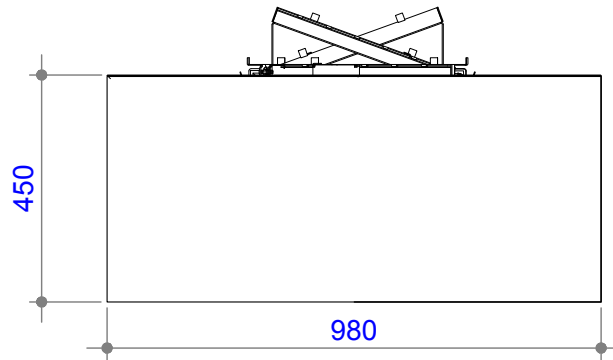




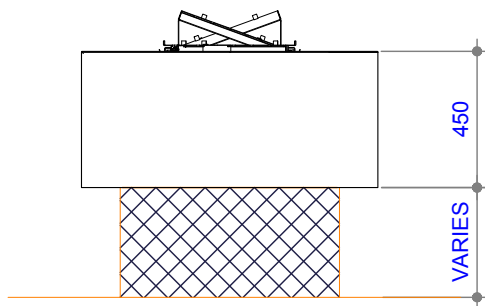
**GD14-1000  
SPECIFICATIONS**



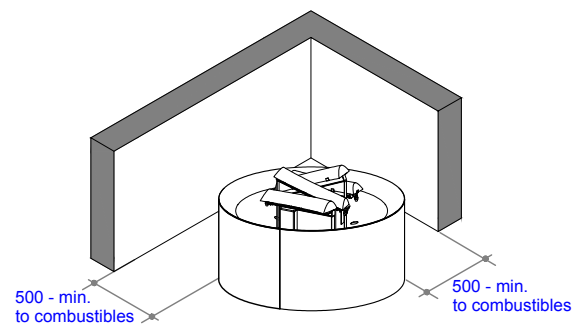
**Plan View - Appliance**



**Front View - Appliance**



**NOTE:**  
Structure to support appliance. Design for 200kg load.



**Appliance installation - Trim sizes**  
NOTE: Confirm fixing holes on site prior to drilling

**COPYRIGHT©**  
 THIS DRAWING IS THE PROPERTY  
 OF The Fire Dept.

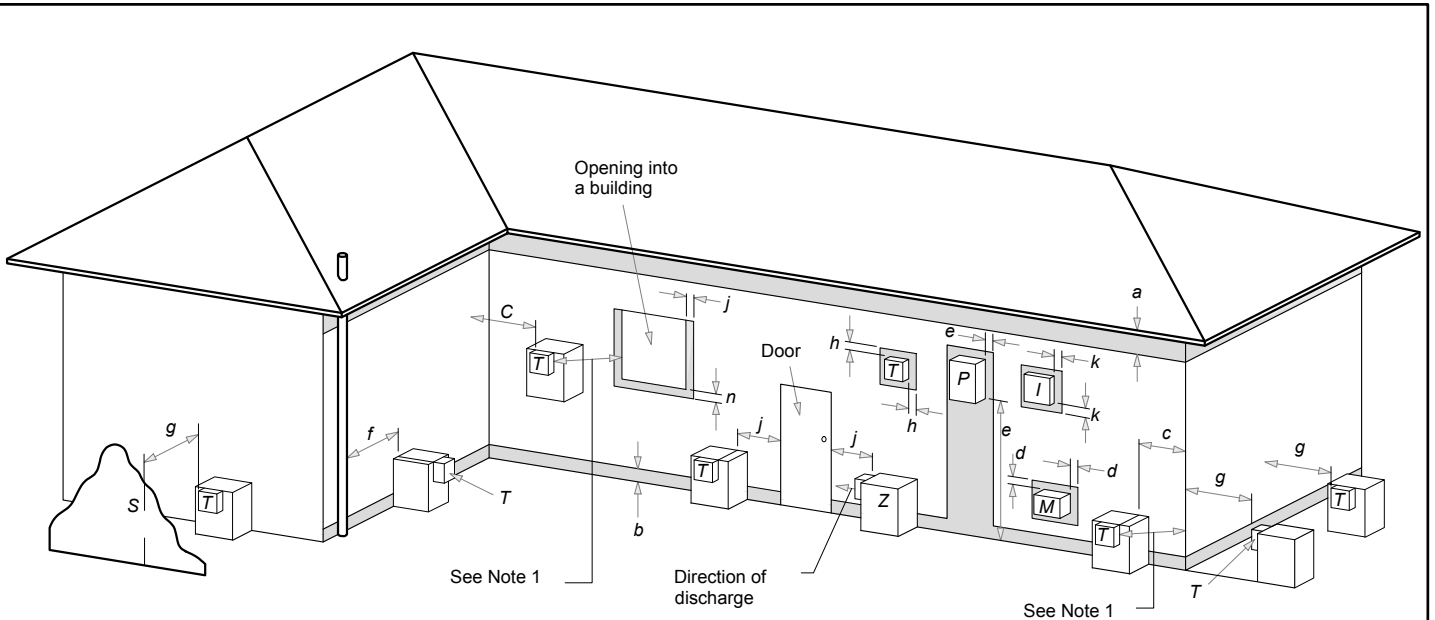
Client: THE FIRE DEPT.		
Product: GD14		
Title: BURNER TABLE DIMENSIONS & CAVITY CLEARANCES		
Drawn: JG	Date: 17/07/2020	
Chkd: JW	Date: 17/07/2020	
Appd: JW	Date: 17/07/2020	
Scale: on A4		

**THE**  
**FIRE**  
**DEPT.**  
 HAND CRAFTED FIRES

Drawing No. **GD14-1000**

Sheet 1 of 2

Revision 1



**LEGEND:**

- I = Mechanical air inlet
- M = Gas meter
- P = Electricity meter or fuse box
- S = Structure
- T = Flue terminal
- Z = Fan-assisted appliance only

- a = 200
- b = 300
- c = 300
- d = 1000
- e = 500
- f = 75
- g = 500
- h = 300
- j = 300 (at window) & 1500 (fan-assisted appliance by the door)
- k = 1000
- n = 500

**NOTES:**

- 1 Where dimensions c, j or k cannot be achieved an equivalent horizontal distance measured diagonally from the nearest discharge point of the terminal to the opening may be deemed by the Technical Regulator to comply.

Shading indicates prohibited area for flue terminals

**Location of Flue Terminals of Balanced Flue, Room-Sealed, Fan-Assisted or Outdoor Appliances**

*NOTE: To be read in conjunction with AS/NZS 5601.1:2013*

COPYRIGHT ©  
 THIS DRAWING IS THE PROPERTY  
 OF The Fire Dept.

Client: THE FIRE DEPT.		
Product: GD14		
Title: BURNER TABLE DIMENSIONS & CAVITY CLEARANCES		
Drawn: JG	Date: 17/07/2020	
Chkd: JW	Date: 17/07/2020	
Appd: JW	Date: 17/07/2020	
Scale:		on A4



Drawing No.	<b>GD14-1000</b>	Sheet 2 of 2	Revision 1
-------------	------------------	--------------	------------