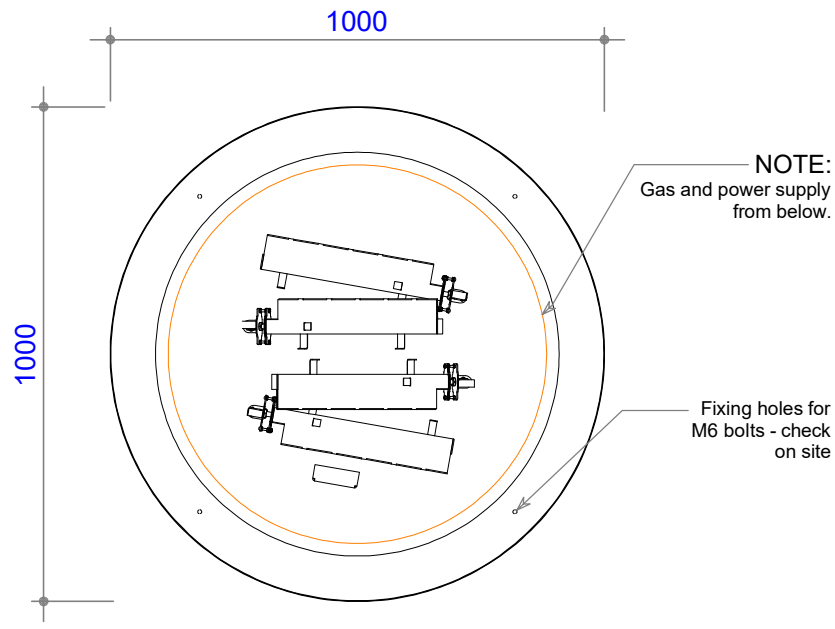
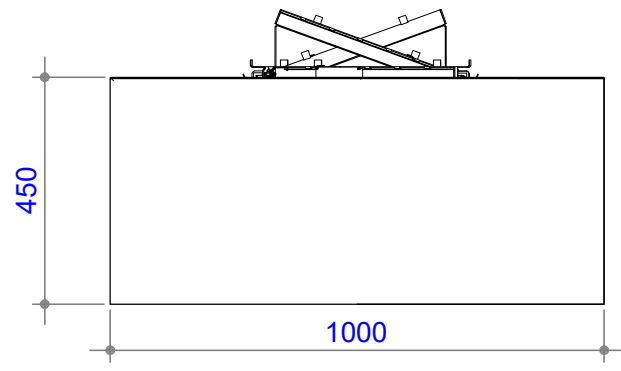




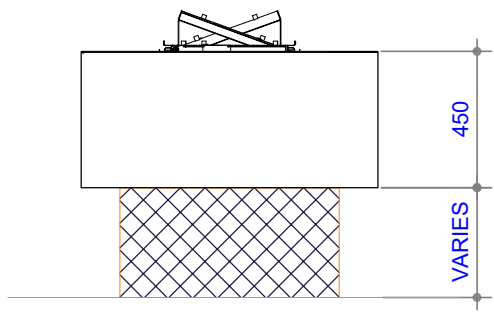
**GD14
SPECIFICATIONS**



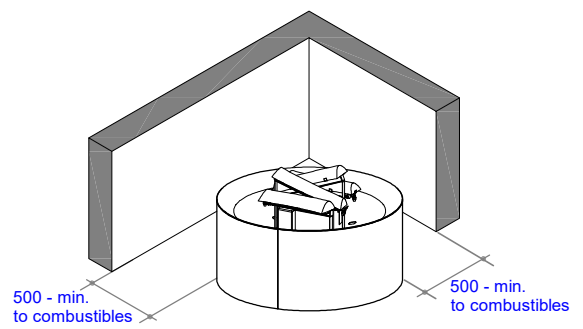
Plan View - Appliance



Front View - Appliance



NOTE:
Structure to support appliance. Design for 200kg load.



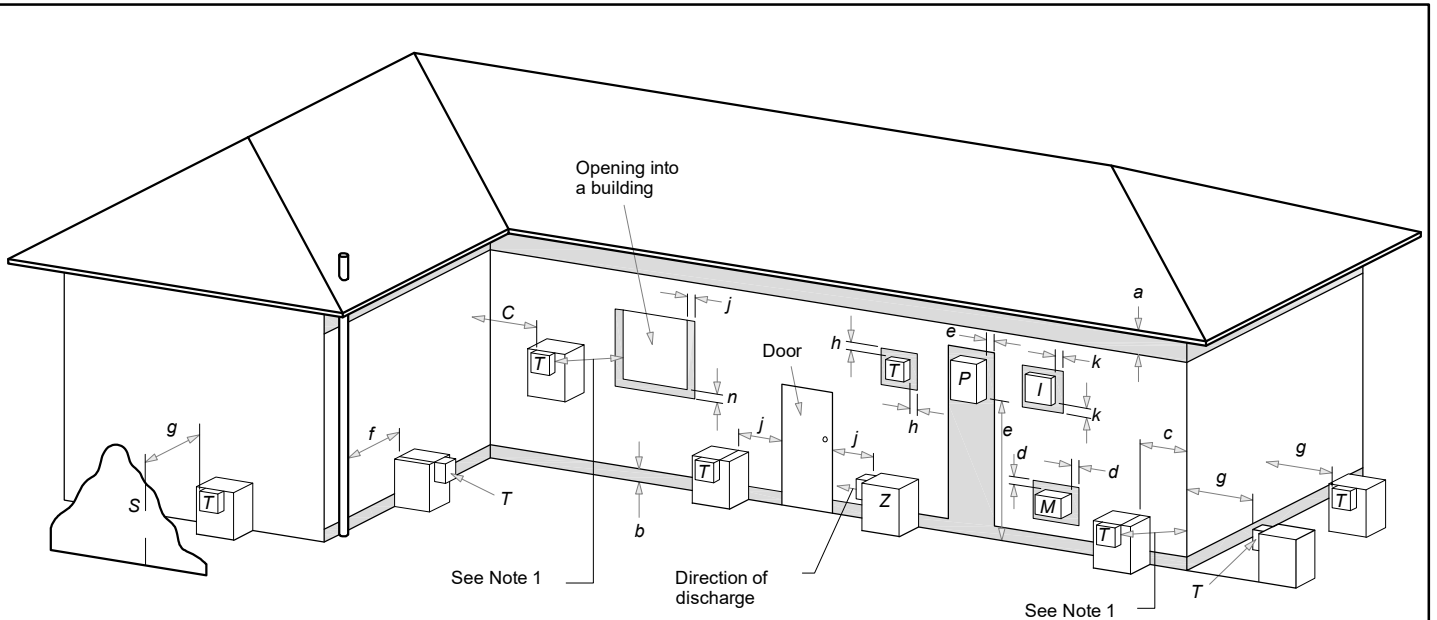
Appliance installation - Trim sizes
NOTE: Confirm fixing holes on site prior to drilling

COPYRIGHT©
 THIS DRAWING IS THE PROPERTY
 OF The Fire Dept.

Client: THE FIRE DEPT.		
Product: GD14		
Title: BURNER TABLE DIMENSIONS & CAVITY CLEARANCES		
Drawn: JG	Date: 17/07/2020	
Chkd: JW	Date: 17/07/2020	
Appd: JW	Date: 17/07/2020	
Scale: on A4		



Drawing No. GD14-1000	Sheet 1 of 2	Revision 1
------------------------------	--------------	------------



LEGEND:

- I = Mechanical air inlet
- M = Gas meter
- P = Electricity meter or fuse box
- S = Structure
- T = Flue terminal
- Z = Fan-assisted appliance only

- a = 200
- b = 300
- c = 300
- d = 1000
- e = 500
- f = 75
- g = 500
- h = 300
- j = 300 (at window) & 1500 (fan-assisted appliance by the door)
- k = 1000
- n = 500

NOTES:

- 1 Where dimensions c, j or k cannot be achieved an equivalent horizontal distance measured diagonally from the nearest discharge point of the terminal to the opening may be deemed by the Technical Regulator to comply.

Shading indicates prohibited area for flue terminals

Location of Flue Terminals of Balanced Flue, Room-Sealed, Fan-Assisted or Outdoor Appliances

NOTE: To be read in conjunction with AS/NZS 5601.1:2013

COPYRIGHT ©
 THIS DRAWING IS THE PROPERTY
 OF The Fire Dept.

Client: THE FIRE DEPT.		
Product: GD14		
Title: BURNER TABLE DIMENSIONS & CAVITY CLEARANCES		
Drawn: JG	Date: 17/07/2020	
Chkd: JW	Date: 17/07/2020	
Appd: JW	Date: 17/07/2020	
Scale:		on A4



Drawing No. **GD14-1000**

Sheet 2 of 2

Revision 1