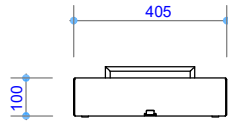
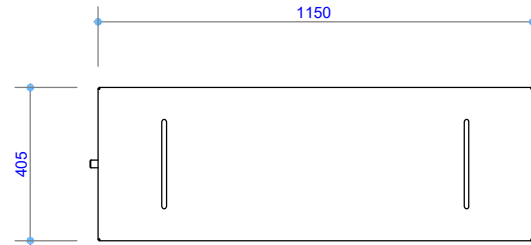




**GD10 | 1400  
SPECIFICATIONS**



Side view - Cover

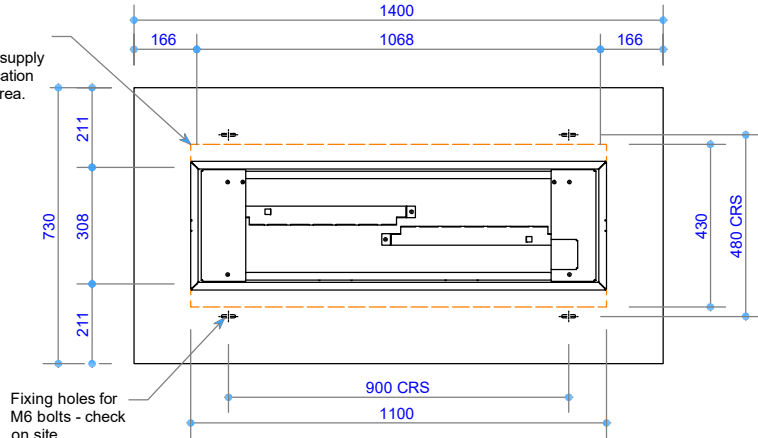


Plan view - Cover

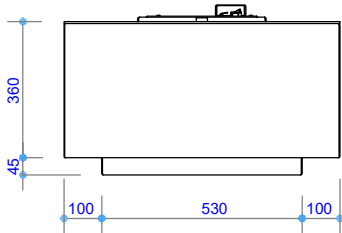


Front view - Cover

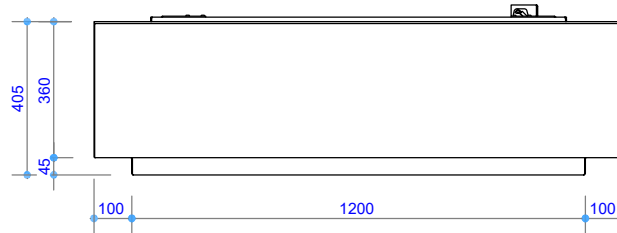
NOTE:  
Gas and power supply  
from below. Location  
within marked area.



Plan view - Appliance

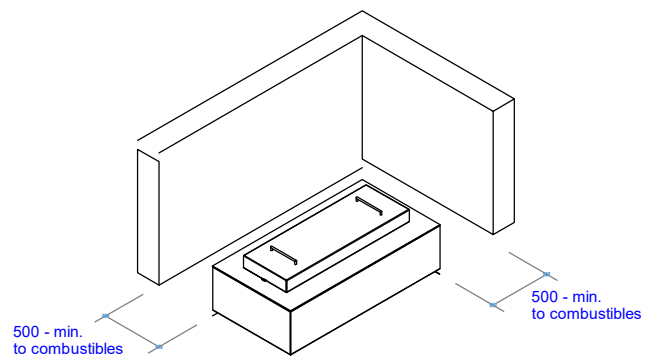
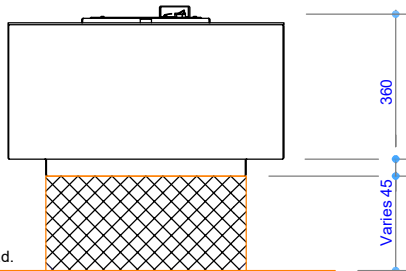


Side view



Front view - Appliance

NOTE:  
Structure to support  
appliance.  
Design for 200kg load.



**Appliance installation - Trim sizes**

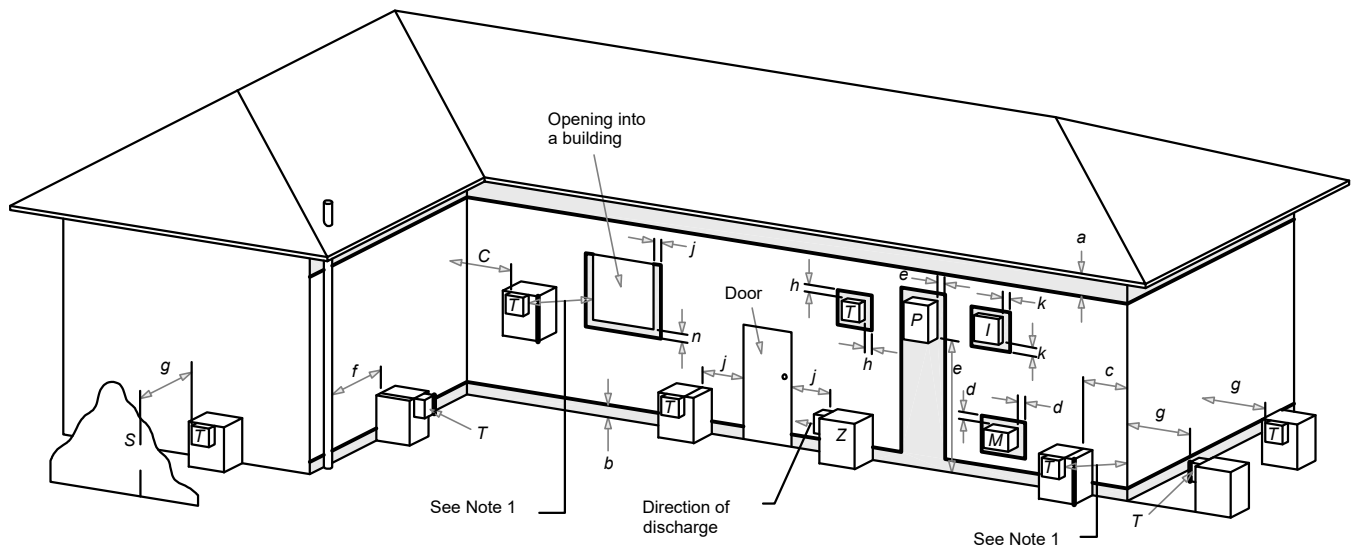
NOTE: Confirm fixing holes on site prior to drilling

COPYRIGHT ©  
 THIS DRAWING IS THE PROPERTY  
 OF The Fire Dept.

Client: THE FIRE DEPT.		
Product: GD10-1400		
Title: VERTICAL FLUE COMBINATION OPTIONS		
Drawn: LB	Date: 20/05/2020	
Chkd: JW	Date: 08/05/2018	
Appd: JW	Date: 08/05/2018	
Scale: on A4		




Drawing No.	<b>GD10-1400-901</b>	Sheet 01 of 02	Revision	3
-------------	----------------------	----------------	----------	---



LEGEND:  
 I = Mechanical air inlet  
 M = Gas meter  
 P = Electricity meter or fuse box  
 S = Structure  
 T = Flue terminal  
 Z = Fan-assisted appliance only

a = 200      g = 500  
 b = 300      h = 300  
 c = 300      j = 300 (at window) & 1500  
 d = 1000     (fan-assisted appliance by the door)  
 e = 500      k = 1000  
 f = 75        n = 500

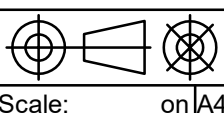
NOTES:  
 1 Where dimensions c, j or k cannot be achieved an equivalent horizontal distance measured diagonally from the nearest discharge point of the terminal to the opening may be deemed by the Technical Regulator to comply.

 Shading indicates prohibited area for flue terminals

**Location of Flue Terminals of Balanced Flue, Room-Sealed, Fan-Assisted or Outdoor Appliances**

NOTE: To be read in conjunction with AS/NZS 5601.1:2013

COPYRIGHT ©  
 THIS DRAWING IS THE PROPERTY  
 OF The Fire Dept.

Client: THE FIRE DEPT.		
Product: GD10-1400		
Title: FLUE EXIT CLEARANCES		
Drawn: LB	Date: 20/05/2020	
Chkd: JW	Date: 08/05/2018	
Appd: JW	Date: 08/05/2018	
Scale:                  on A4		



Drawing No.	<b>GD10-1400-902</b>	Sheet 02 of 02	Revision <span style="border: 1px solid black; padding: 2px;">3</span>
-------------	----------------------	----------------	--