



GD60 – Wall Switch

Installation Guide

Operating Instructions

Warranty

GD60 Installation Guide, Operating Instructions & Warranty

IMPORTANT!

This gas appliance must be installed to **AS/NZS 5601.1:2013** by a qualified person and in accordance with these instructions. Failure to install the appliance correctly will void your warranty and may cause a fire. This appliance should not be modified under any circumstances.

Under no circumstances should any combustibles such as paper, wood or coal be used in this appliance.

It is recommended that you have this appliance serviced annually by a qualified technician.

Warranty repairs must be carried out by a 'The Fire Dept.' authorised technician.

This appliance must ALWAYS terminate/flue outdoors.

Young children, elderly or infirm should be supervised to ensure that they are careful with the appliance.

Clothing and other flammable materials should never be placed near the appliance.

Please note that parts (near the flame) of this appliance, particularly the steel surrounding, become extremely hot during operation and can result in serious injury and burns if touched. It is therefore recommended that a fireguard complying with BS 8423:2002 is used in the presence of young children, the elderly or infirm.

During the installation of this appliance, it may be necessary to manually handle heavy components (greater than 25kg). It is the installer's responsibility to ensure appropriate manual-handling techniques are employed.

NOTE: This GD60 appliance is fitted with an Oxyprotector (Oxygen depletion) pilot. Under NO circumstances should this pilot be replaced or removed.

The GD60 installation process consists of 8 steps	Page
Step 1: Unpack and ensure all components are correct and undamaged	3
Step 2: Install plinth (if required)	3
Step 3: Install appliance into cavity	3
Step 4: Connect and test electrical supply	10
Step 5: Connect gas supply and commission	12
Step 6: Lay the firebed	13
How to lay the Firebed – GD60 1200 and 1400	14
How to lay the Firebed – GD60 1600	15
Step 7: Show owner how to operate appliance	16
GD60 Operating instructions	17
Troubleshooting	17
Product warranty	18

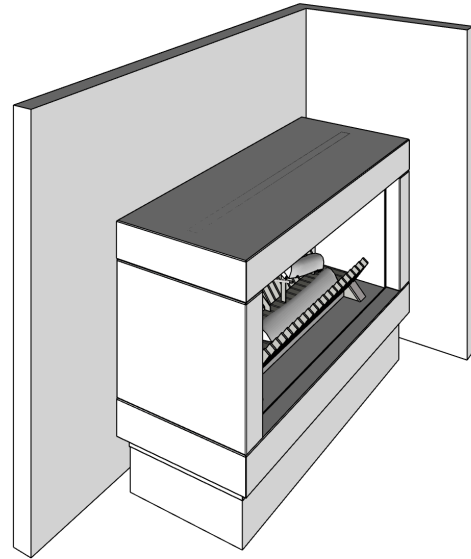
Information in this installation guide may be subject to change without notice. Please ensure that you have the current version before beginning installation. **If you have any queries, please contact 'The Fire Dept.' on 0800 888 550**

Step 1: Unpack and ensure all components are correct and undamaged

- Appliance
- Box of firebed mediums

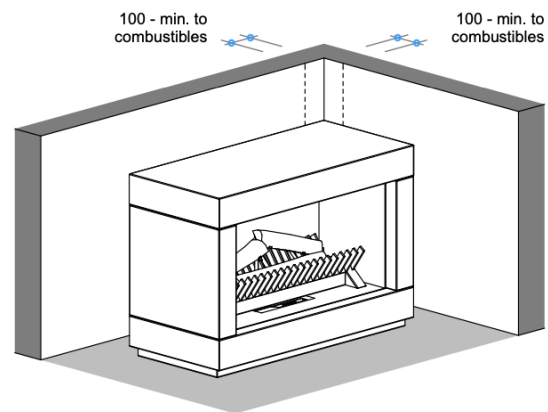
Step 2: Install plinth (if required)

- If the appliance is to sit on a plinth, ensure it is capable of supporting a 350kg load.
- There is no clearance requirement for the base of the appliance. It may safely sit directly upon combustible (eg. timber) and non-combustible (eg. concrete) materials.



Step 3: Install appliance into position

- **Important:** The position (that the appliance is to be installed into) must be weather-tight and free-draining and comply with the requirements of the New Zealand Building Codes E2 (External Moisture).
- Before installation, confirm all minimum clearances from the outside surfaces of the appliance to the surrounding enclosure are no closer than 100mm from combustible materials.
- The exception to these minimum clearances is the base of the appliance, the base can safely sit directly upon combustible (e.g. timber) and non-combustible (e.g. concrete) materials, refer to the appropriate appliance specification for the correct clearance requirements. Ensure the framing is capable of supporting a 350kg load.
- Ensure the appliance has adequate air supply to the cavity under the burner. Check appropriate appliance specifications for air requirements.
- If a gas supply pipe has already been run to the cavity, ensure 1000mm of 3/8 soft copper tube is available at the centre of the base, as this is where the copper tube with the gas supply enters the appliance.
- If an electrical supply cable has already been run to the cavity (must be a minimum of 1.0mm 4 core cable), ensure that the cable reaches the centre of the base, as this is where it will enter the appliance.
- In order to access the fixing slots in the base of the appliance, and the gas and electrical connections, it is necessary to first remove the burner and base firebox lining.

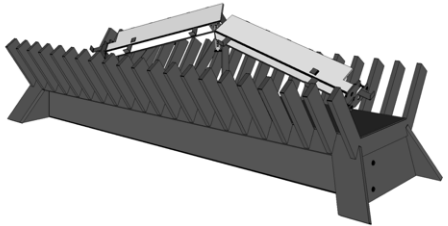

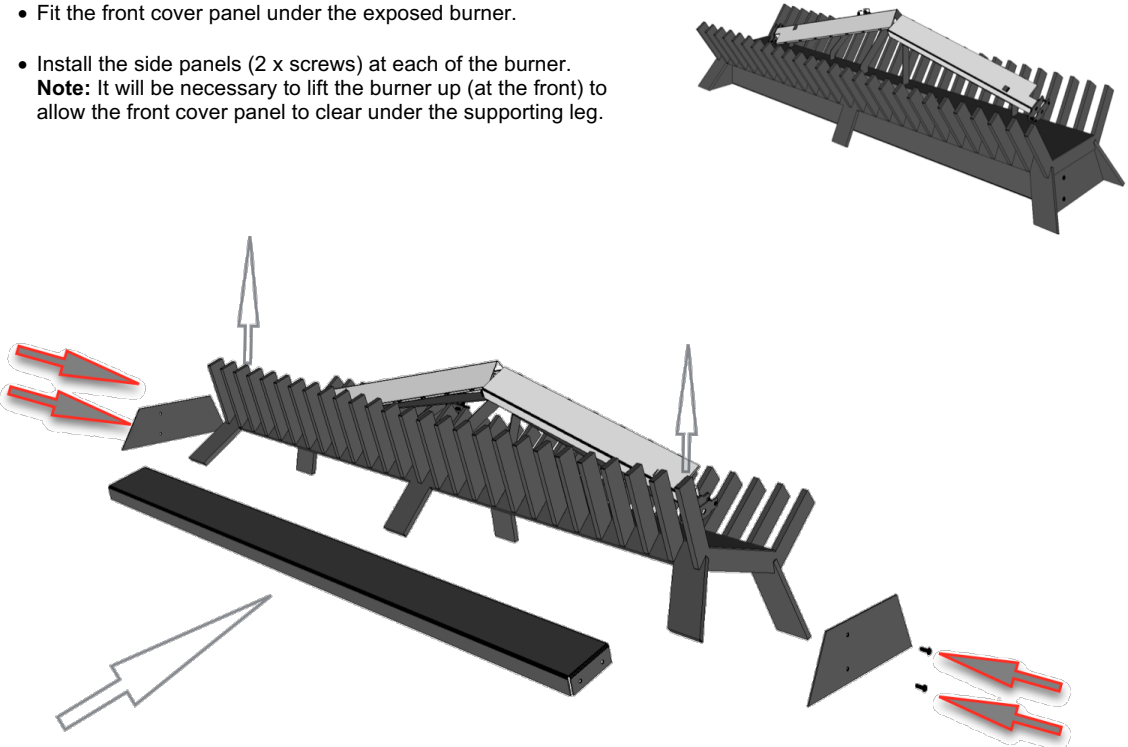


Appliance Installation - Trim Sizes
NOTE: Confirm fixing holes on site prior to drilling.

Burner Removal Process

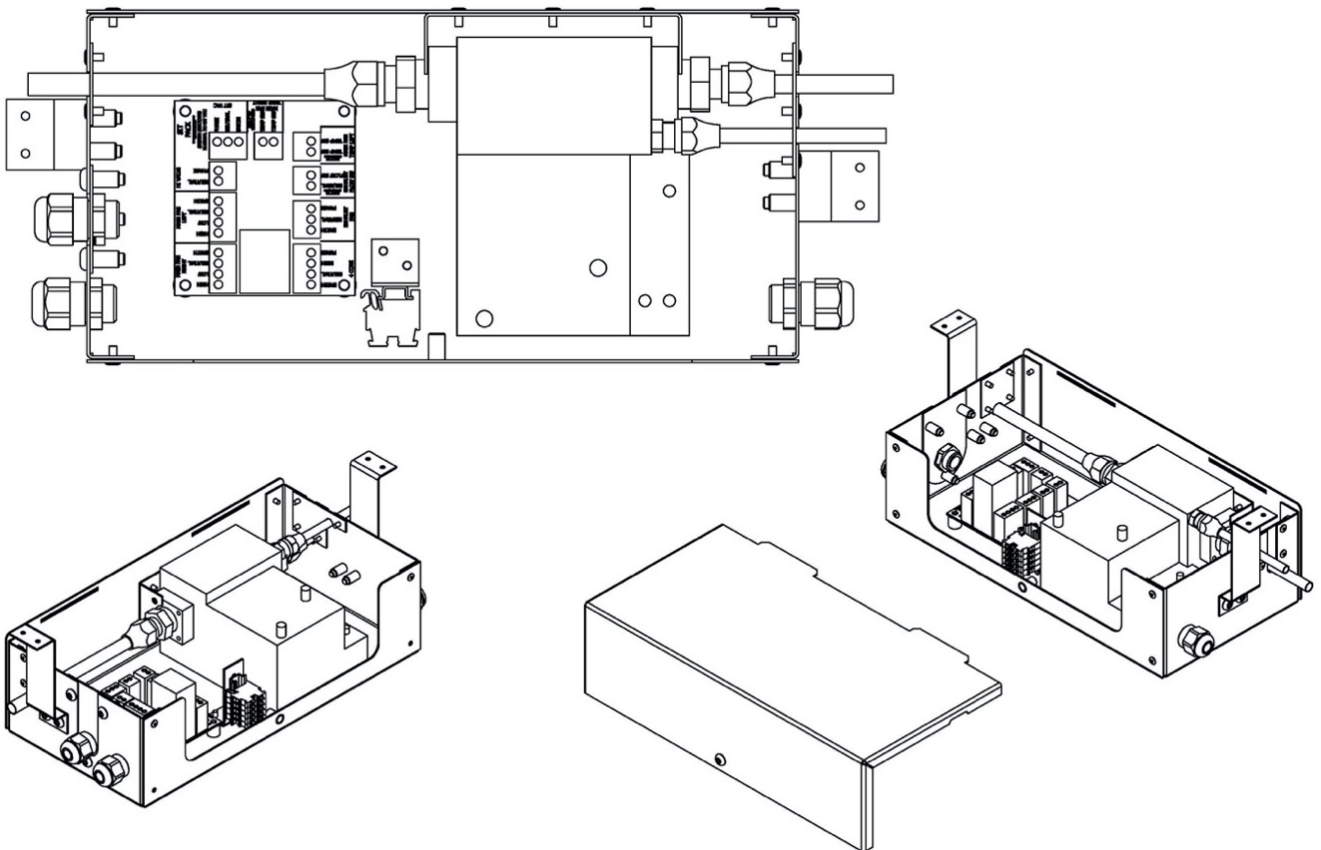
	LPG / Natural Gas
<p>GD60 Burner Cover Panels</p>	
<p>GD60 1200</p> <p>Input 55-65 MJ/h One gas injector on the front burner tube and one gas injector on each of the two rear burner tubes.</p>	<ul style="list-style-type: none"> • Remove the side panels (2 x screws) at each end of the burner. • Remove the front cover panel from under the burner.
<p>GD60 1400</p> <p>Input 55-65 MJ/h One gas injector on the front burner tube and one gas injector on each of the two rear burner tubes.</p>	
<p>GD60 1600</p> <p>Input 65-70 MJ/h One gas injector on the front burner tube and one gas injector on each of the two rear burner tubes.</p>	<ul style="list-style-type: none"> • Remove the side panels (2 x screws) at each end of the burner. • Remove the front cover panel from under the burner. Note: It will be necessary to lift the burner up (at the front) to allow the front cover panel to clear under the supporting leg.

Burner Installation Process

LPG / Natural Gas	
<p>GD60 1200</p> <p>Input 55-65 MJ/h One gas injector on the front burner tube and one gas injector on each of the two rear burner tubes.</p>	<ul style="list-style-type: none"> • Fit the front cover panel under exposed burner. • Install the side panels (2 x screws) at each end of the burner. 
<p>GD60 1400</p> <p>Input 55-65 MJ/h One gas injector on the front burner tube and one gas injector on each of the two rear burner tubes.</p>	
<p>GD60 1600</p> <p>Input 65-70 MJ/h One gas injector on the front burner tube and one gas injector on each of the two rear burner tubes.</p>	<ul style="list-style-type: none"> • Fit the front cover panel under the exposed burner. • Install the side panels (2 x screws) at each of the burner. Note: It will be necessary to lift the burner up (at the front) to allow the front cover panel to clear under the supporting leg. 

Weather Housing

- The gas supply pipe will need to be run into the weather housing at the centre of the burner, as this is where the copper tube with the gas supply connects to the GD60 burner.
- The electrical supply cable will need to be run into the weather housing (must be a minimum of 1.0mm 4 core cable), ensure 1000mm of cable is at the centre of the cavity, as this is where it will connect to the GD60 burner.
- Disconnect the electrical cable to the fan/fans (1.0mm 3 core cable).
- In order to access the gas and electrical connections inside the weather housing, it is necessary to first remove the outer front cover.
- Remove the outer front cover.
- To refit the outer front cover, simply reverse the removal process.



Firebox Lining Removal Process (if required)

- In order to install the GD60, the **base firebox lining must be removed** to gain access to the base fixing brackets.
- In some circumstances (eg. the need to reduce overall weight so the appliance can be lifted up stairs), it may be necessary to remove (then install) the firebox lining.
- The GD60 has three fire box lining options: Dark tile, Steel, and Client-supplied.
- Particular care should be taken when removing and replacing the chosen firebox lining into the appliance. Failure to place the firebox lining correctly may result in the appliance performing inefficiently.

Dark tile lining (supplied as default option):

Black slate – 9mm.

Size – 600mm x 600mm cut to suit.

Finish – Dark slate.



Steel lining:

Mild steel – 2mm.

Size – Cut and folded to suit appliance.

Finish – Matt black paint.



Client-supplied lining: Requirements

Non-combustible and heat resistant.

Size – Maximum thickness 10mm.

Size – Minimum height for tiles 500mm.

All measurements must be confirmed on site.

Finish – Robust and self-supporting.

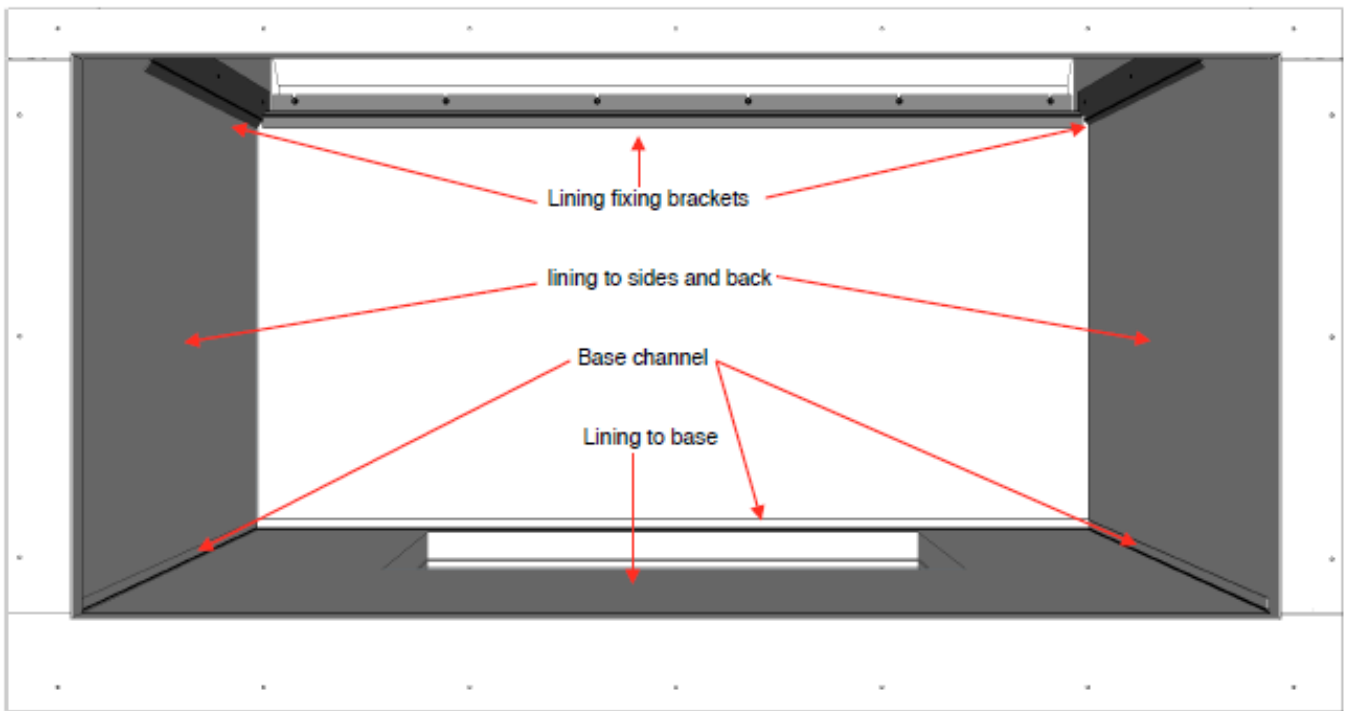


Example of a client-supplied fire box lining

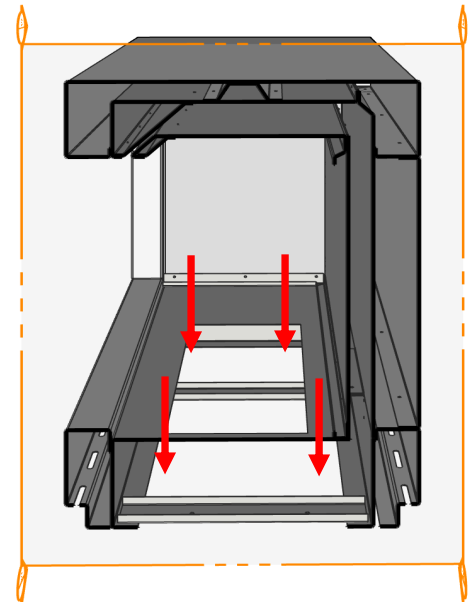
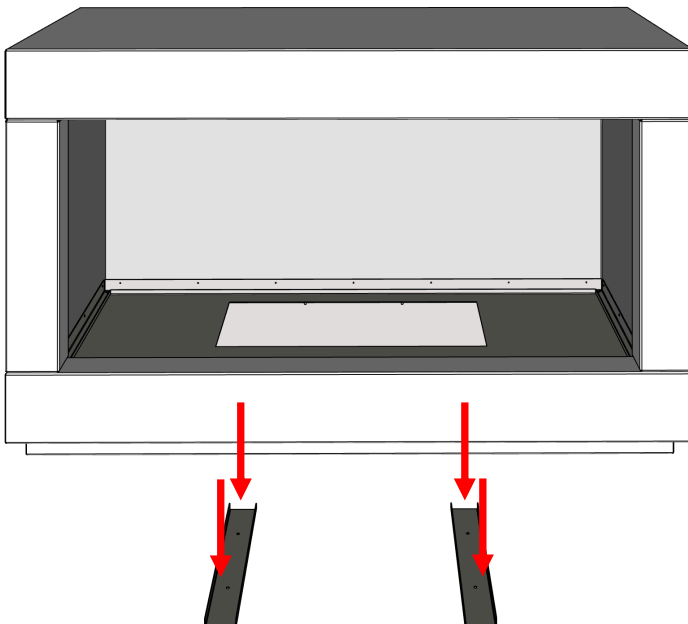
This GD60 appliance is supplied with the chosen firebox lining or ready for the client-supplied firebox lining.

Note: Take care when removing the top fixing bracket. The top of the Fire box lining will fall forward with the bracket removed.

1. Remove the burner by following the '**Burner Removal Process**' in this guide.
2. Remove the top three lining fixing brackets. 5mm cap screws.
3. Allow the top of the lining to fall forward.
4. Carefully lift the lining up and out of the base channel.
5. Place the lining in a safe place.
6. Remove the base lining by carefully lifting the lining from the cavity at base from under the burner.
7. To refit the lining simply reverse the removal process.
8. Install the burner by following the '**Burner Installation Process**' in this guide.



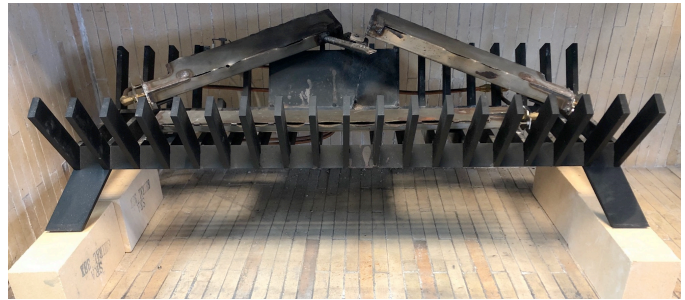
- **Important Safety Note:** It may be necessary to manually handle heavy components (greater than 25kg). It is the installer's responsibility to ensure appropriate manual-handling techniques are employed.
- Locate appliance into position and ensure that it complies with the minimum clearances required (100mm for combustibles) to the surrounding enclosure. The exception to these minimum clearances is the base of the appliance, the base can safely sit directly upon combustible (e.g. timber) and non-combustible (e.g. concrete) materials, refer to the appropriate appliance specification for the correct clearance requirements. Ensure the framing is capable of supporting a 350kg load.
- In order to provide maximum positioning flexibility, the base of the appliance has two fixing brackets with two 30mm long slots in each.
- The two fixing brackets will clamp the appliance into position. Locate the fixing brackets and mark out and drill fixing holes through the 30mm slots in the fixing brackets. Ensure holes are drilled in the centre of the slots to allow maximum positioning flexibility. Clear out any debris from drilling.



- Ensure the appliance is level and pack up corners to suit where necessary. Check and ensure unit is level.
- Once the appliance is level, fix bolts/screws into hearth.
- Install the base firebox lining.
- Install the front panel and the burner by following the '**Burner Installation Process**' in this guide.

Step 4: Connect and test electrical supply

- **All electrical connections must meet the requirements of AS/NZS 3000 standards and be installed and certified by a suitably qualified person.**
- In order to access the electricals, it is necessary to first remove the front cover panel and weather housing front cover. Follow the front cover removal process in the '**Burner Removal Process**' and see '**Weather Housing**' of this guide.
- If the burner needs to be removed. Follow the burner removal process in the '**Burner Removal Process**' of this guide.
Note: The burner can be lifted and supported at a height to give extra working room if required.

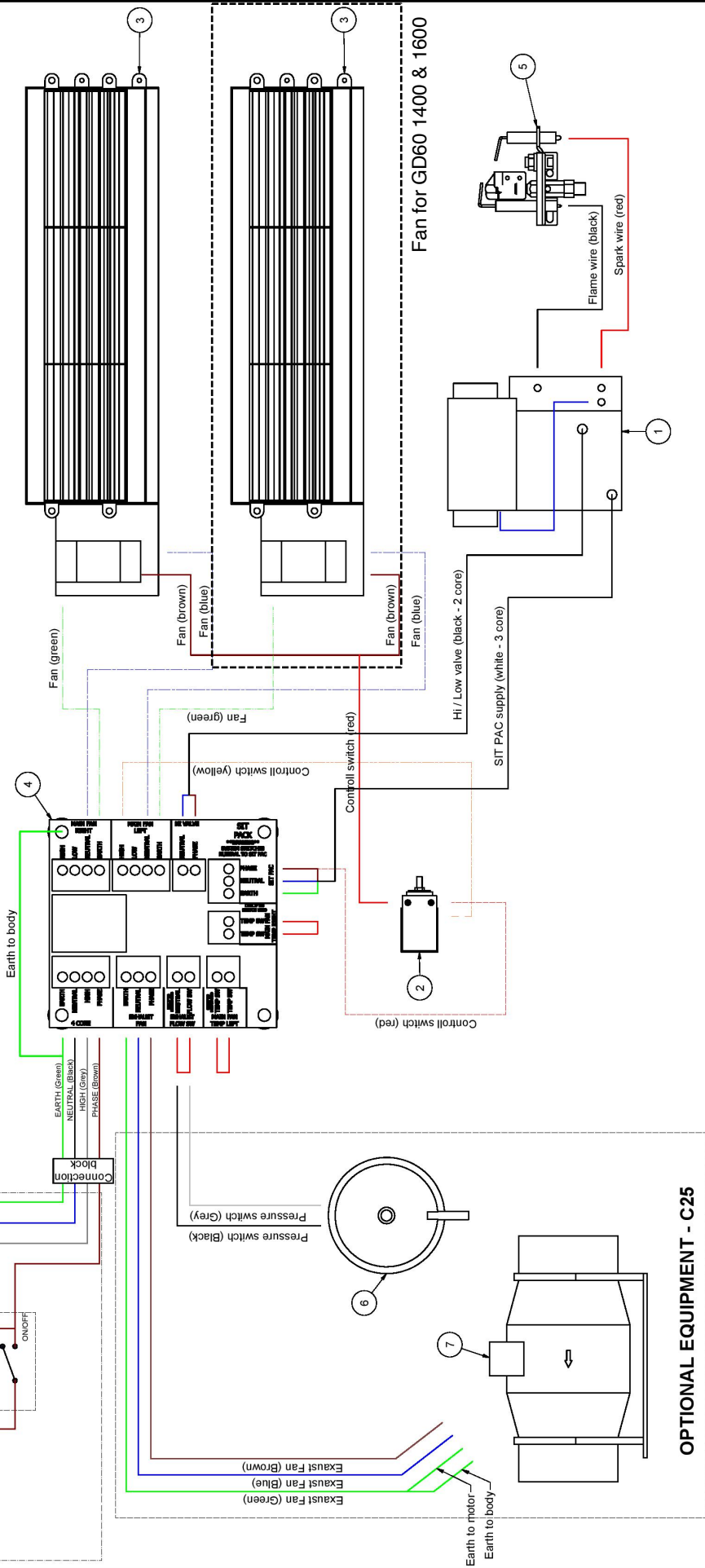
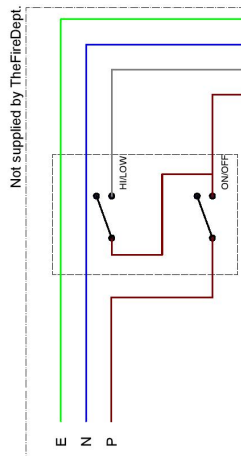


- With the front panel and weather housing front cover removed the electrical connections between the appliance and the switch can be seen, use 4 core (minimum 1mm) cable.
- The 3-core cable to the high speed fan/s will need to be disconnected when the burner is removed and then reconnected when the burner is installed.
- Following these connection details, using the 4 core cable that has been run at site, connect the switch to the appliance.
- **IMPORTANT: Before testing, ensure the gas valve is turned OFF.**



- Test electrical functions by switching the bottom High/Low switch to LOW, then switch the appliance ON using the top On/Off switch.
- After approximately five seconds, the pilot will spark. Because the gas supply is turned off, the pilot will spark for approximately five seconds then automatically switch off.
- **NOTE:** GD60 models have both LOW and HIGH settings.
- Switch to HIGH setting. Ensure that a red light appears on electrical controller.
- Switch the appliance OFF. Electrical testing is complete.
- Install the front panel and weather housing cover by following the '**Burner Installation Process**' and '**Weather Housing**' in this guide.

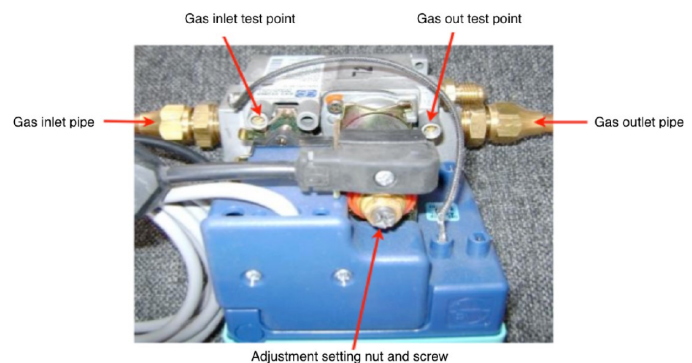
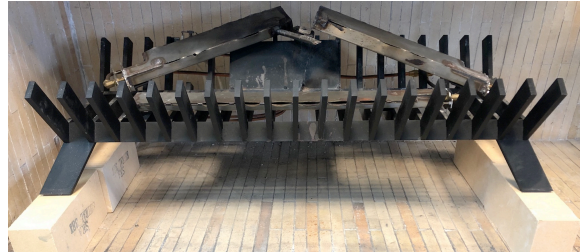
ITEM	QTY	DESCRIPTION
1	1	Sit 843 Sigma
2	1	Switched controller (Speed)
3	2	High speed fan
4	1	Electrical controller
5	1	SIT - Oxy pilot
6	1	Air Pressure Switch
7	1	Mixflo fan - 150mm



REV. No.	DATE	REV. BY	REVISIONS	CHKD. BY	DATE	APPD. BY	Client: THE FIRE DEPT. - STANDARD SERIES
0	2018/07/31	J.S.	ISSUED FOR MANUFACTURE				Project: GD60
1	2020/06/07	J.S.	OPTIONAL EQUIPMENT DETAILS ADDED.				Title: Electrical line diagram - SIT 843
							Drawn: J. SCHOEMAN Date: 31/07/2018
							Chk'd: J. WILSON Date: 31/07/2018
							App'd: J. WILSON Date: 31/07/2018 Scale: on A2
DRAWING No.							GD60-1400-451
REFERENCE DRAWINGS							Sheet 1 of 1
COPYRIGHT © THE DRAWING IS THE PROPERTY OF The Fire Dept. AND IS CONFIDENTIAL AND IS NOT TO BE REPRODUCED OR COPIED IN ANY FORM OR BY ANY MEANS WITHOUT THE WRITTEN PERMISSION OF THE PROPRIETOR.							Revision 1

Step 5: Connect gas supply and commission

- **Gas installation, connection and commissioning must meet the requirements of AS/NZS 5601.1:2013 and be installed and certified by a suitably qualified person.**
- In order to access the gas supply and testing area, it is necessary to first remove the front cover panel and weather housing front cover. Follow the front cover removal process on the '**Burner Removal Process**' and the '**Weather Housing**' of this guide.
- If the burner needs to be removed. Follow the burner removal process in the '**Burner Removal Process**' of this guide.
- **Note:** The burner can be lifted and supported at a height to give extra working room if required.
- Connect 3/8 soft copper pipe to main valve.
- In the unlikely event that the rating plate is not attached, **Do Not** commission the appliance and contact The Fire Dept immediately.
- Install the burner (if removed) and weather housing cover by following the '**Burner Installation Process**' and '**Weather Housing**' in this guide.
- Switch the appliance ON.
- **Note:** due to lack of firebed, it may be necessary to manually light burners.
- Leak test all joints.
- Test / adjust high pressure first (using the outer brass nut) and then the low pressures against rating plate specifications.
- Switch the appliance OFF.
- Install the Front cover panel and Weather housing cover. Follow the burner installation process in the '**Burner Installation Process**' and see '**Weather Housing**' of this guide.
- Lay firebed in accordance with instructions in Step 6 of this guide.
- Send gas certificate to appropriate person.



Step 6: Lay the firebed

- The GD60 has two firebed mediums: White rocks and logs.
- Particular care should be taken when placing the firebed medium onto the burners. Failure to place the medium correctly may result in the appliance performing inefficiently.
- Open the firebed cardboard box and identify firebox mediums.

GD60 1200 & 1400 has two firebed mediums:

Logs – large and small

White rocks – large and small



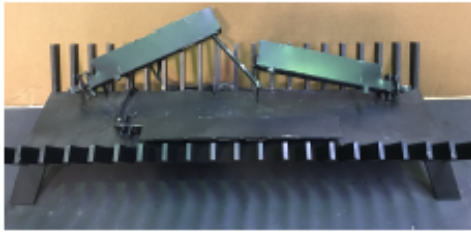
GD60 1600 has two firebed mediums:

Logs – large and small

White rocks – large and small



How to lay the Firebed – GD60 1200 and 1400



Step 1



Step 2



Step 3



Step 4



Step 5



Step 6



Step 7



Step 8

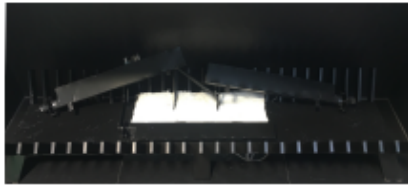


Step 9

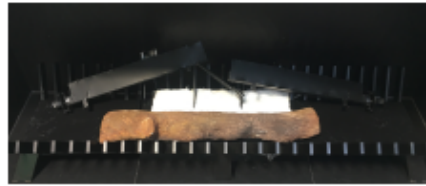


- Switch the appliance ON at 'HIGH' setting to check how flame looks. The flame will take 10-20 seconds to light fully.
- **IMPORTANT:** The flame effect should look natural and non-uniform, running the entire length of the burner.
- Common flame effect issues are:
 - Flames burning under logs.
 - Missing flames along length of burner.
- Both these issues can be resolved by switching the appliance OFF and slightly repositioning rocks and logs at the problem areas.
- Repeat this switching On/Off and repositioning until a natural and non-uniform flame effect is achieved.
- Switch the appliance OFF.

How to lay the Firebed – GD60 1600



Step 1



Step 2



Step 3



Step 4



Step 5



Step 6



Step 7



Step 8



Step 9



- Switch the appliance ON at 'HIGH' setting to check how flame looks. The flame will take 10-20 seconds to light fully.
- **IMPORTANT:** The flame effect should look natural and non-uniform, running the entire length of the burner.
- Common flame effect issues are:
 - Flames burning under logs.
 - Missing flames along length of burner.
- Both these issues can be resolved by switching the appliance OFF and slightly repositioning rocks and logs at the problem areas.
- Repeat this switching On/Off and repositioning until a natural and non-uniform flame effect is achieved.
- Switch the appliance OFF.

Step 7: Show owner how to operate appliance

- Following the GD60 Operating Instructions on the next page, show the owner how to switch the appliance ON and OFF and how to switch between HIGH and LOW settings.
- If the owner is not available, leave this manual by the appliance.

NOTES:

GD60 OPERATING INSTRUCTIONS

The GD60 appliance has been designed to be simple to use. It is controlled by a wall switch, which must be installed by a qualified electrician.

To start appliance:

- Press the On/Off switch to the ON position.
- Press the High/Low switch to the HIGH position.
- The electronic solenoid pack will start to click.
- Gas will then be released and ignited at the pilot valve.
- The safety sensor will allow the main burner tube to ignite and flames will appear. The whole process will take between 10-20 seconds.
- Once the flame appears, it can be turned down to the low setting by pressing the High/Low switch to LOW.
- The LOW setting provides a flame height of approximately 80mm. The HIGH setting provides a flame height of approximately 150mm

To shut down appliance:

- Press the On/Off switch to the OFF position.
- The gas will automatically be shut off to the pilot and the burner. The flame will then extinguish.

TROUBLESHOOTING

Problem	Probable Cause	Action
Appliance shuts down after continuous running.	Low Oxygen supplying to the appliance.	<ol style="list-style-type: none"> 1. Do not attempt to restart the appliance. 2. Open all doors and windows. 3. Call gas-fitter.
Appliance doesn't start	<ol style="list-style-type: none"> 1. No gas supply 2. No power supply 3. Low or poor pilot flame 4. Signal from flame rectifier interrupted 5. Signal to sparker electrode interrupted 6. Incorrect sparker electrode gap 	<ol style="list-style-type: none"> 1. Check gas supply 2. Check power supply 3. Check flame size and pressure 4. Check flame rectifier and wire to sit pack 5. Check sparker gap and wire to sit pack 6. Check sparker electrode gap is 3mm
Appliance shuts down	<ol style="list-style-type: none"> 1. Low gas supply 2. Low or poor pilot flame 3. Signal to flame rectifier interrupted 	<ol style="list-style-type: none"> 1. Check gas supply 2. Check flame size and pilot flame pressure 3. Check flame rectifier and wire to sit pack
Flames are not running around the logs.	<ol style="list-style-type: none"> 1. The firebed is not aligned to the burner 2. NG jet brass nut not adjusted correctly 	<ol style="list-style-type: none"> 1. Re-lay the firebed to the specific model specifications detailed earlier in this guide 2. NG adjustment see Burner installation process
Flame is yellow and sooty	<ol style="list-style-type: none"> 1. Primary aeration ports have a blockage (LPG models only) 2. The firebed is not aligned to the burner 	<ol style="list-style-type: none"> 1. Check primary aeration ports for blockage and clear if required (LPG models only) 2. Re-lay the firebed to the specific model specifications detailed earlier in this guide
No flame at the pilot	Primary aeration ports have a blockage	Check primary aeration ports for blockage and clear if required

PRODUCT WARRANTY

IMPORTANT: Evidence of original purchase is required for warranty service.

WARRANTOR: 'The Fire Dept.' (Landscape Elements Ltd)
85 Newton Road
Mount Maunganui
PO Box 10275, Bayfair, Mount Maunganui

ELEMENT OF WARRANTY

'The Fire Dept.' warrants to the original retail owner for the duration of this warranty, it's fireboxes, gas burner tray, lighters, (herein after referred to as the Product) to be free from defects in materials and craftsmanship with only the limitations or exclusions set out below.

WARRANTY

This warranty will be deemed invalid if the Product is;

- (A) Installed by someone other than an authorised Fire Dept agent.
- (B) Not operated appropriately or "over-fired" in a manner resulting in the firebox operating excessively hot.
- (C) Not serviced and maintained by a certified gas fitter every 12 months.
- (D) Damaged by accident, neglect or misuse,
- (E) Repaired by someone other than an authorised Fire Dept repair agent for a defect or malfunction covered by this warranty.
- (F) Modified, altered or used as part of any conversion kits, subassemblies, or any configurations not sold by 'The Fire Dept.'
- (G) The product contains fire bricks and has not been subjected to the recommended first start-up and run-in procedure.
- (H) Used in conjunction with any equipment or parts or as part of a system not manufactured or supplied by 'The Fire Dept.'
- (I) External powder-coating within 200m of the high tide mark and not lightly washed with warm soapy water every three months.

Indoor appliances (Gas & Wood)

'The Fire Dept.' warrants the mild steel firebox, galvanised steel outer skin and RHS Duragal steel support frame against defective materials and workmanship which would render it unfit for normal domestic use, from the date of purchase by the original consumer, for a period of 5 (five) years. Beyond normal heat-induced staining, tarnishing and mild warping, if a firebox, outer skin or support frame defect occurs, contact 'The Fire Dept.' and the defect will be repaired or replaced at our discretion with all costs covered.

'The Fire Dept.' warrants the SIT Pack (Gas regulator and controller) against defective materials and workmanship which would render it unfit for normal domestic use, from the date of purchase by the original consumer, for a period of 2 (two) years.

Components including fire medium, fans, tiles, glass and glass trim are warranted for a period of 2 (two) years from the date of original purchase, against defective materials and workmanship.

Outdoor appliances (Gas & Wood)

'The Fire Dept.' warrants the Mild Steel firebox, galvanised steel outer skin and RHS Duragal Steel support frame against defective materials and workmanship which would render it unfit for normal domestic use, from the date of purchase by the original consumer, for a period of 2 (two) years. Beyond normal heat-induced staining, tarnishing and mild warping, If a firebox, outer skin or support frame defect occurs, contact 'The Fire Dept.' and the defect will be repaired or replaced at our discretion with all costs covered.

'The Fire Dept.' warrants the SIT Pack (Gas regulator and controller) against defective materials and workmanship which would render it unfit for normal domestic use, from the date of purchase by the original consumer, for a period of 2 (two) years.

Components including fire medium, fans, tiles, glass and glass trim are warranted for a period of 2 (two) years from the date of original purchase for domestic use, against defective materials and workmanship.

STATEMENT OF REMEDY

In the event that the Product does not conform to this warranty at any time while this warranty is in effect, the Warrantor, at its discretion, will repair the defect or replace the part and return it to you without charge for parts or service. This warranty does not provide for reimbursement or payment of incidental or consequential damages.

This warranty does not in any way affect your rights under the Consumers Guarantee Act (New Zealand).