



WD50

**Installation Guide
Operating Instructions
Warranty**

WD50

Installation Guide, Operating Instructions & Warranty

IMPORTANT!

This wood fireplace must be installed to **AS/NZS 2918:2001** by a qualified person and in accordance with these instructions. Failure to install the fireplace correctly will void your warranty and may cause a fire. This fireplace should not be modified under any circumstances.

It is recommended that you have this fireplace serviced annually by a qualified technician.

Warranty repairs must be carried out by a 'The Fire Dept.' authorised technician.

This fireplace must ALWAYS terminate/flue outdoors.

Young children, elderly or infirm should be supervised to ensure that they are careful with the fireplace.

Clothing and other flammable materials should never be placed near the fireplace.

Please note that parts (near the flame) of this fireplace become extremely hot during operation and can result in serious injury and burns if touched. It is therefore recommended that a fireguard complying with BS 8423:2002 is used in the presence of young children, the elderly or infirm.

During the installation of this fireplace, it may be necessary to manually handle heavy components (greater than 25kg). It is the installer's responsibility to ensure appropriate manual-handling techniques are employed.

This installation guide must be read in conjunction with the technical specifications for this fireplace.

The WD50 installation process consists of 8 steps	Page
Step 1: Unpack and ensure all components are correct and undamaged	3
Step 2: Pre-installation checklist	4
Step 3A: Crane fireplace into position	5
Step 3B: Disassemble then reassemble fireplace into position	6
Step 4: Fix fireplace into position	12
Step 5: Fit hearth (optional)	13
Step 6: Fit flue	14
Step 7: Fit oven tile, door, fire bricks and grate	15
Step 8: How to operate fireplace	16
Operating instructions	17
Troubleshooting	17
Product warranty	18

Information in this installation guide may be subject to change without notice.
Please ensure you have the current version before beginning installation.

If you have any queries, please contact 'The Fire Dept.' on 0800 888 550

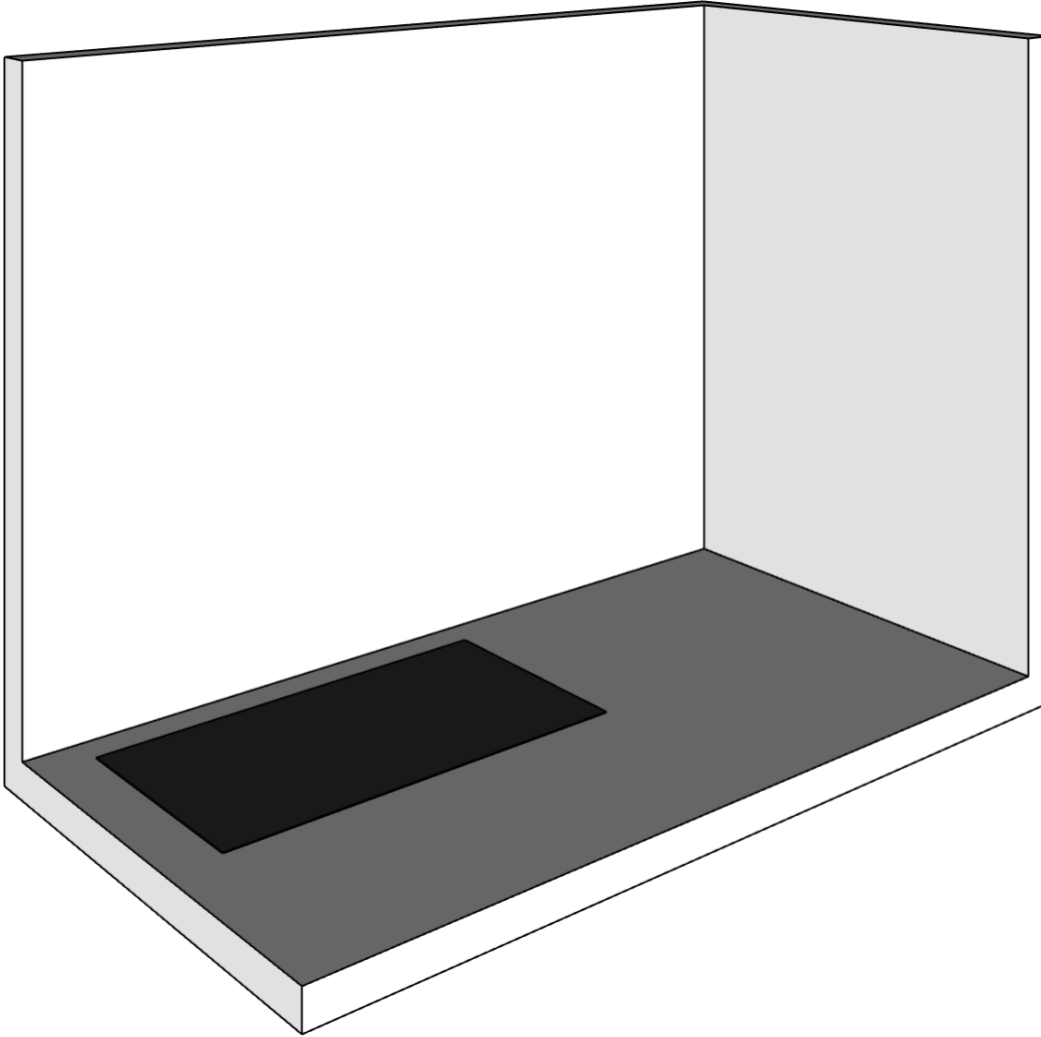


Step 1: Unpack and ensure all components are correct and undamaged

- Fireplace, with oven tile and fire bricks.
- Grate.
- Flue kit.
- Pizza paddle.
- Baffle hook.
- WD50 technical specifications (to be read in conjunction with this installation guide).
- BBQ Grill/Hotplate (optional).
- Heat barrier (optional – required for installation onto combustible surface).
- Tread plate aluminium hearth (optional – required for installation onto combustible surface).
- Flamethrower log ignitor (optional).
- Flamethrower log ignitor installation guide, if optional log ignitor is being used.

Step 2: Pre-installation checklist

- Ensure clearances are correct – refer to technical specifications.
- Ensure hearth dimensions are correct – refer to technical specifications.
- Plan flue path.
- Ensure the base is strong enough to support the fireplace.




The starting point.

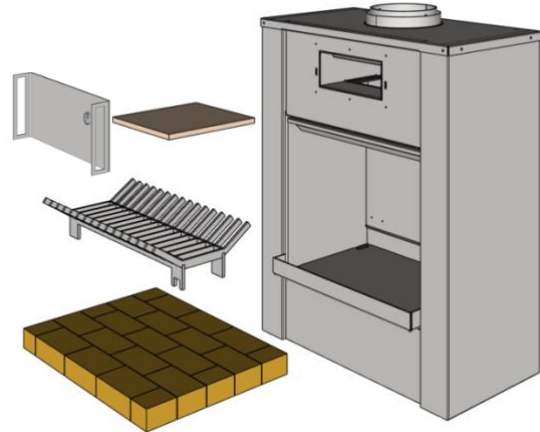
Note: Ensure clearances are correct – refer to technical specifications.

Step 3A: Crane fireplace into position

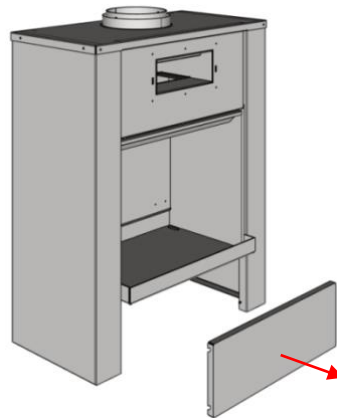
The best installation option is to crane the fully assembled fireplace into position. If this is not possible, follow the instructions in step 3B.

Important Safety Note: It is the installer's responsibility to ensure that the crane, operator and equipment are suitably certified to lift the fireplace. 

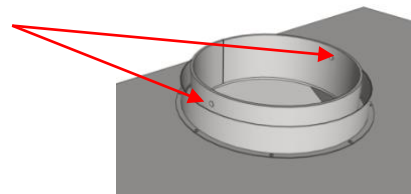
1. Remove door, oven tile, grate and fire bricks. Take a photo of the fire brick set-up as you'll need it later.



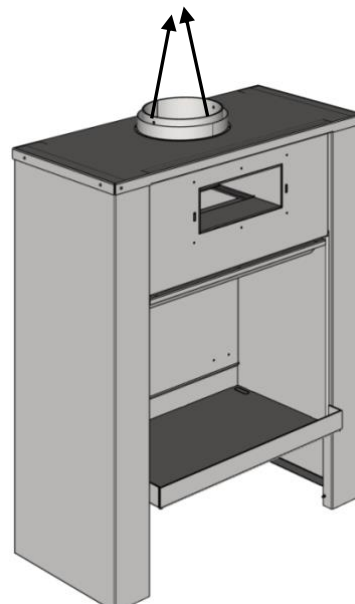
2. Remove the front lower panel, which hangs on bolts.
Carefully lift the front lower panel up 10mm and pull it away from the front of the fireplace in one movement.



3. Lifting shackles are provided and placed in the flue spigot.



4. Carefully lift the fireplace into position using a crane/Hi-Ab or similar

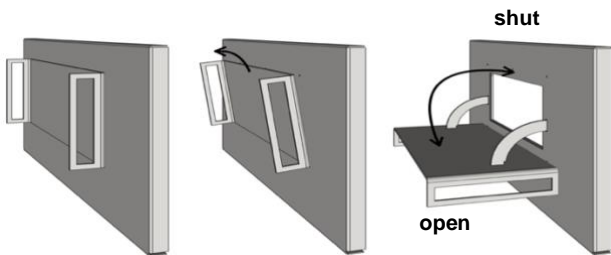
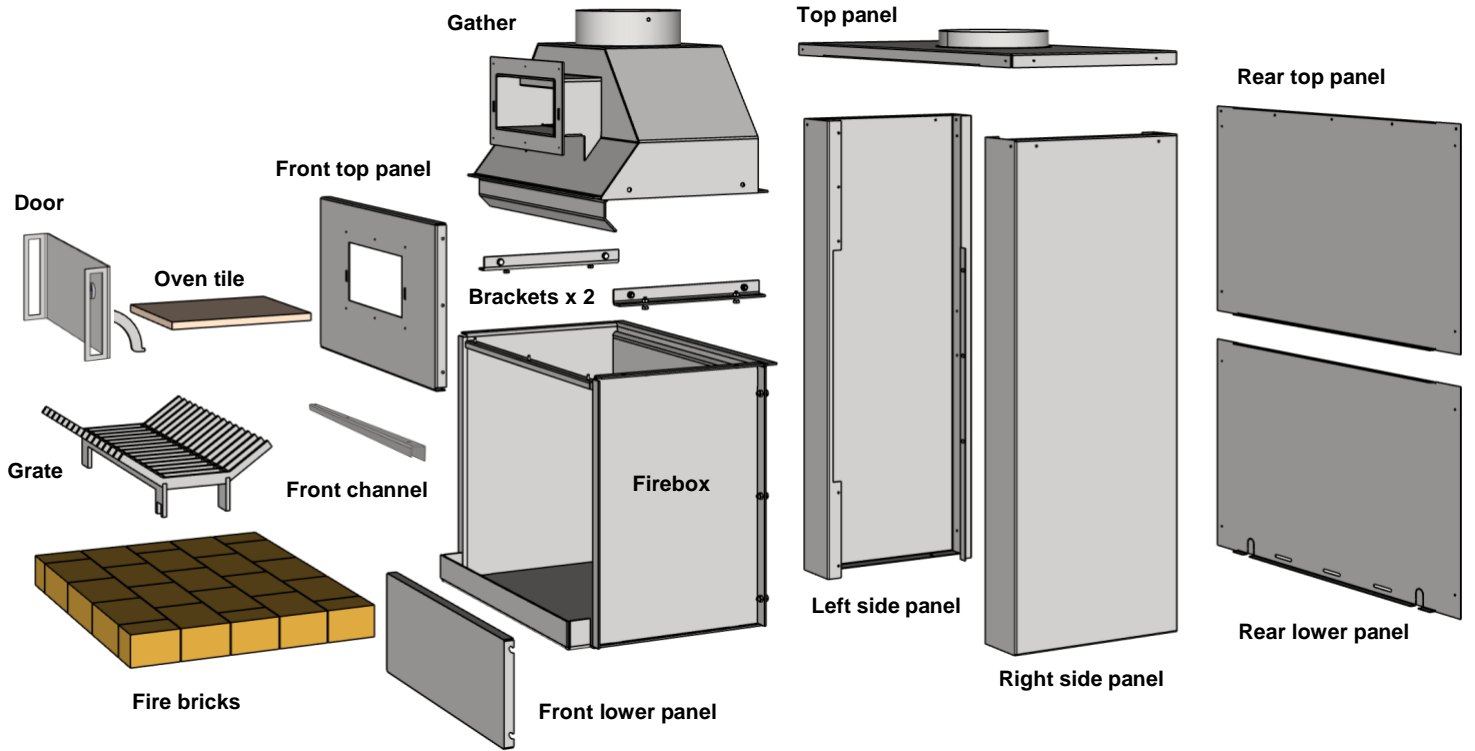


5. Move to step 4 once the fireplace is in position.

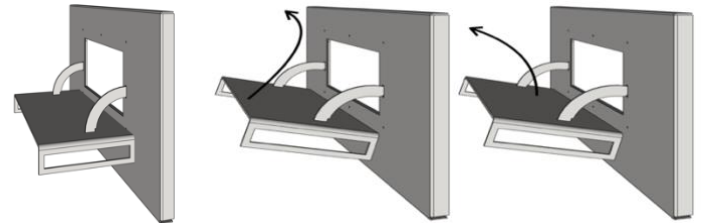
Step 3B: Disassemble then reassemble fireplace into position

If the fireplace cannot be craned into position, it needs to be disassembled then reassembled into position.

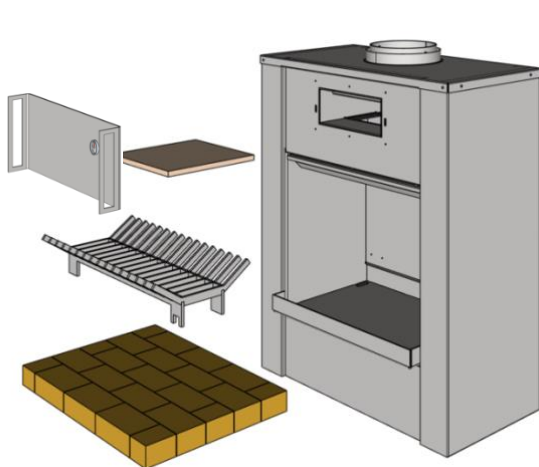
Important Safety Note: It may be necessary to manually handle heavy components (greater than 25kg). It is the installer's responsibility to ensure appropriate manual-handling techniques are employed.



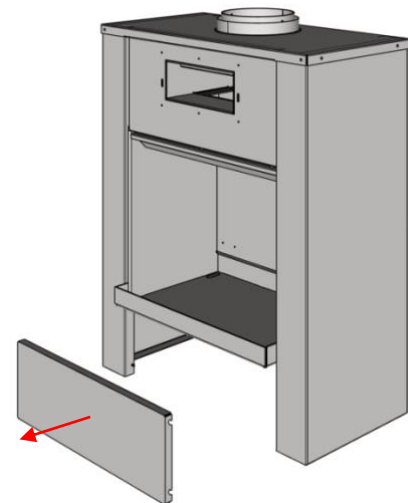
To open door, lift up and out in one movement.



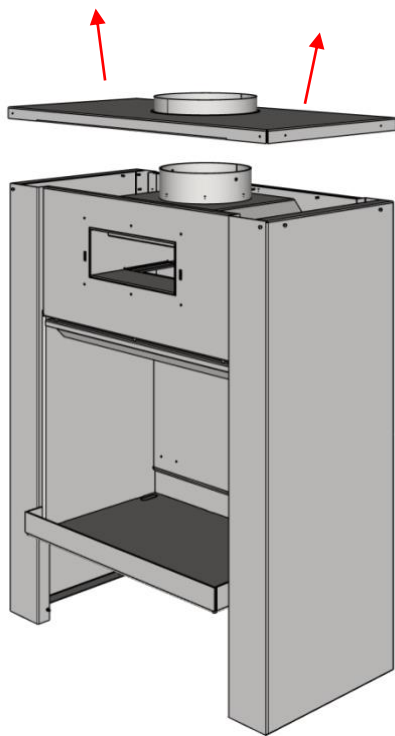
To remove door, lift open door up and out in one movement.



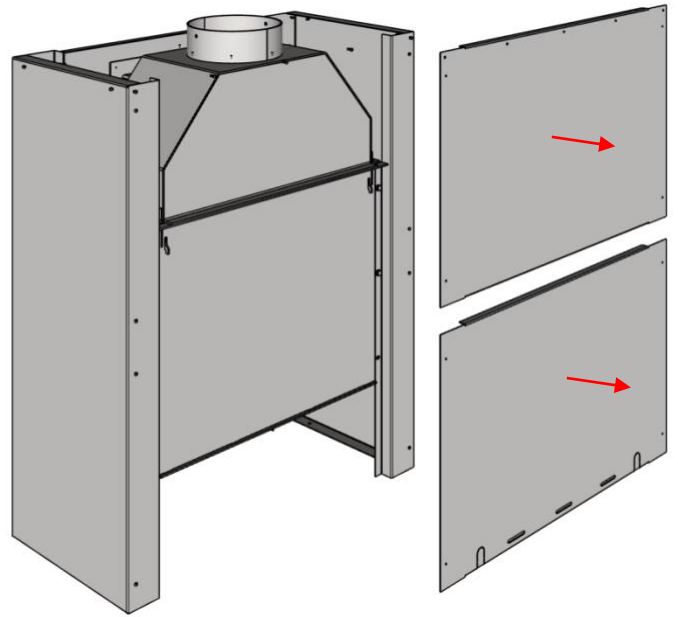
1. Remove door, oven tile, grate and fire bricks. Take a photo of the fire brick set-up, as you'll need it later.



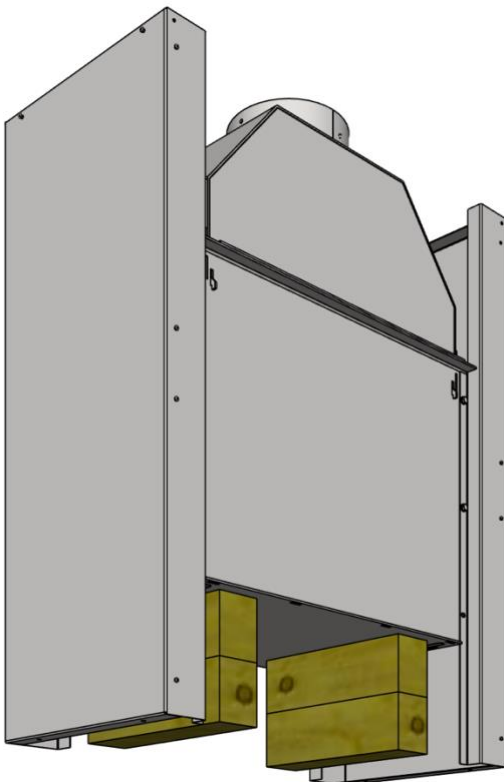
2. Remove the front lower panel. The front lower panel hangs on bolts. Carefully lift the front lower panel up 10mm and pull it away from the front of the fire in one movement.



3. Remove the top panel (11 x 5mm countersunk cap screws).

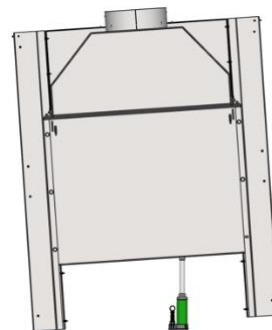


4. Remove the rear top panel and then the Rear lower panel (4 x 5mm countersunk cap screws each panel).

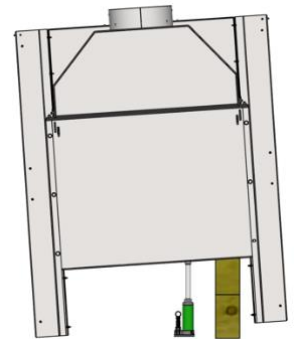


5. Lift from under the firebox until the side panels are free from the ground and support the fire.

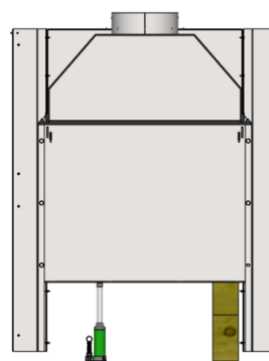
Handy tip:
Use a car jack to lift one side at a time.



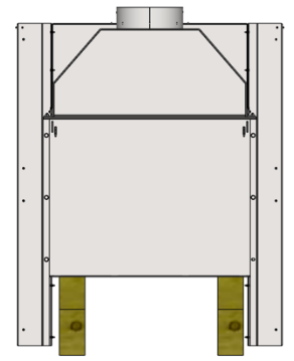
Lift



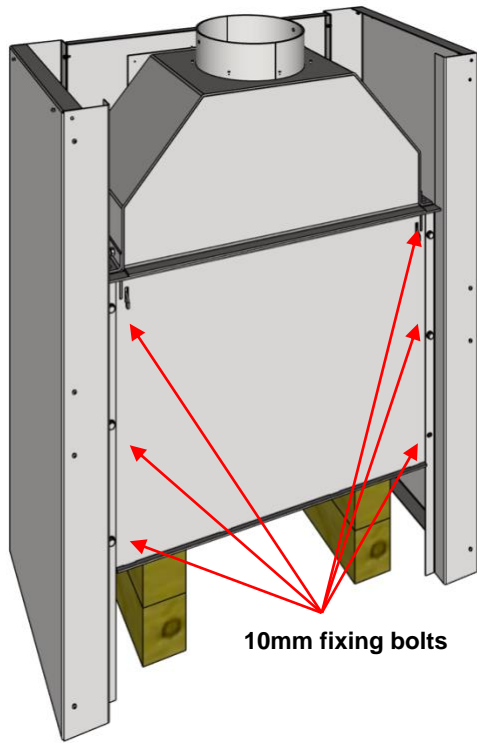
Support



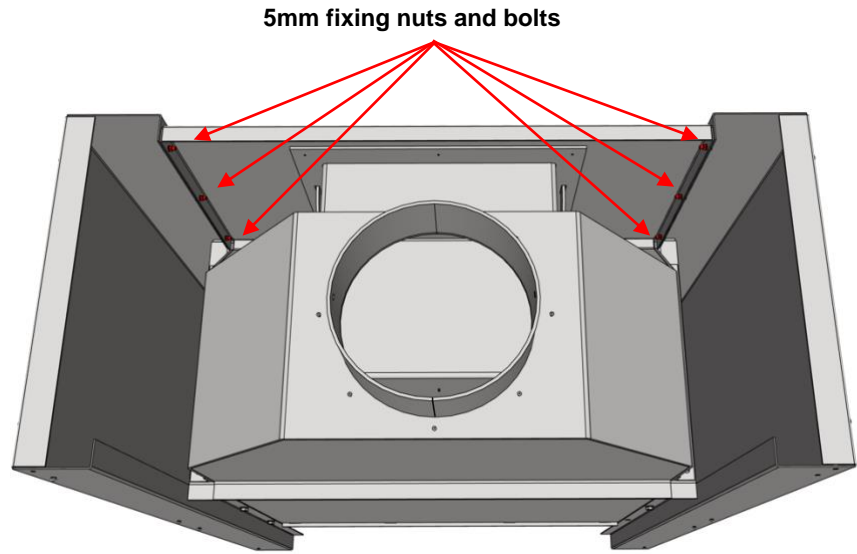
Lift



Support



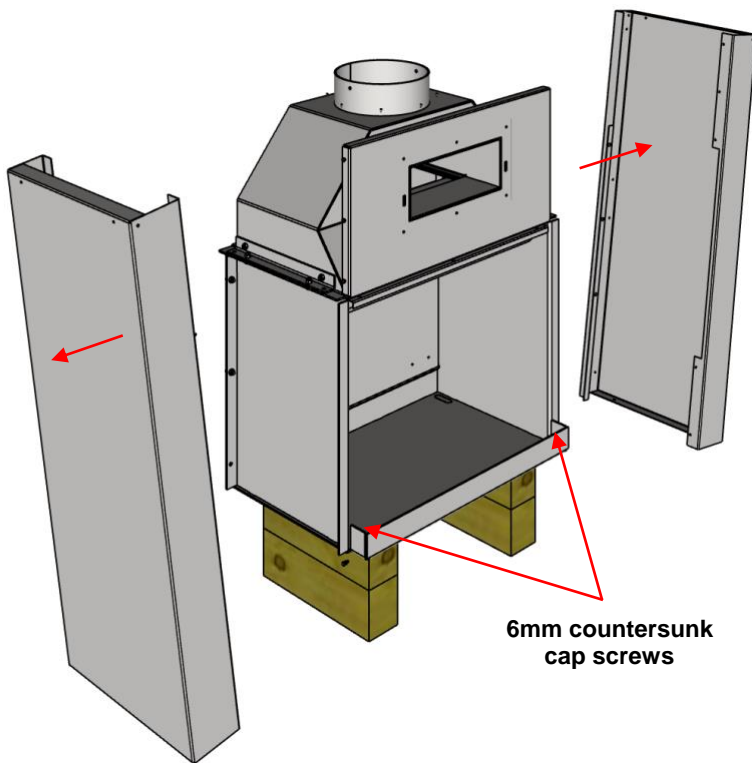
10mm fixing bolts



5mm fixing nuts and bolts

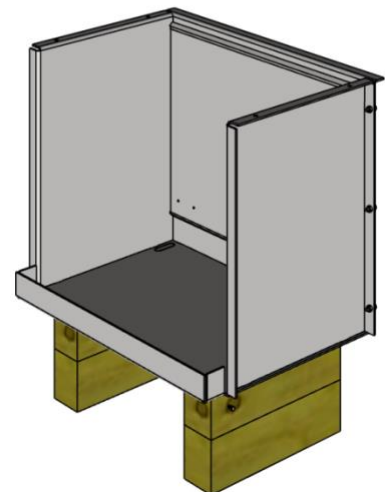
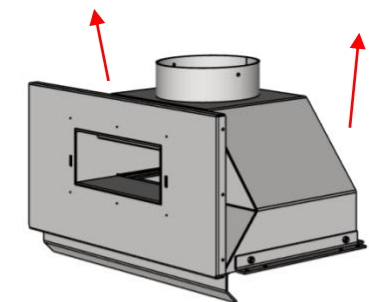
6. Remove the bolts that hold the side panels to the fire box (3 x 10mm bolts at each side of the firebox).

7. Remove the nuts and bolts that hold the side panels to the front top panel. 3 x 5mm nuts and bolts at each side of the firebox.

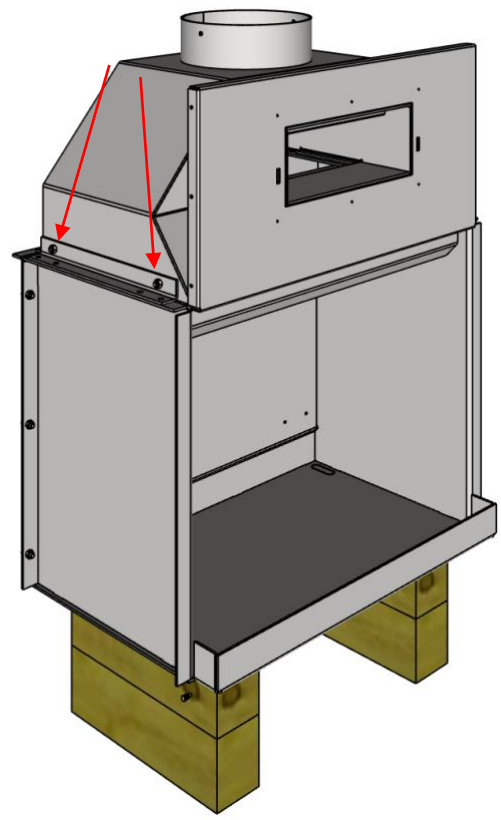
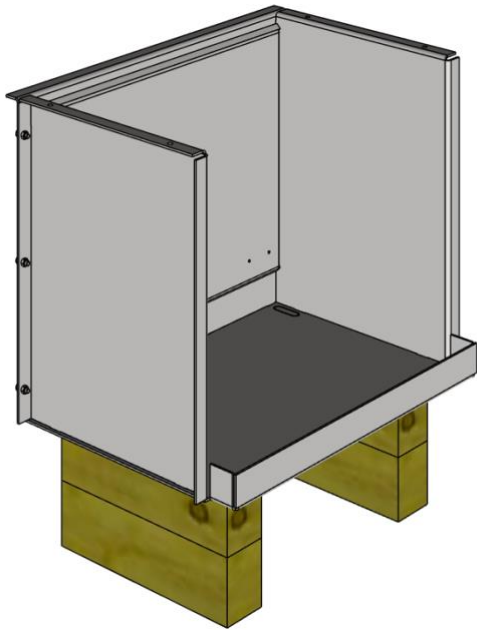


6mm countersunk cap screws

8. Remove the side panels. (2 x 6mm countersunk cap screws each side).

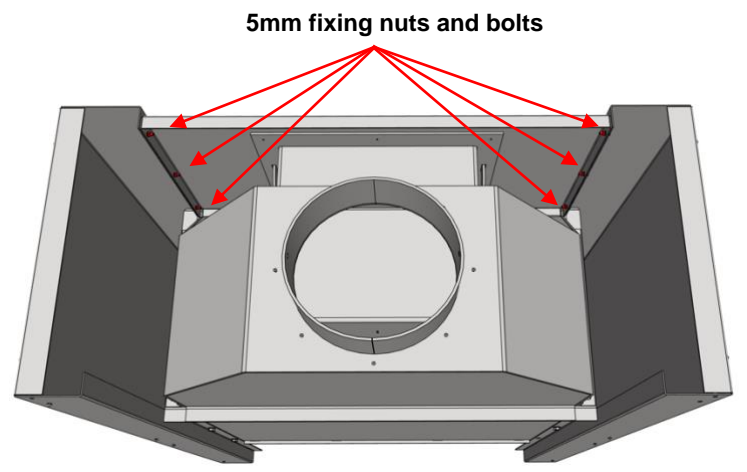
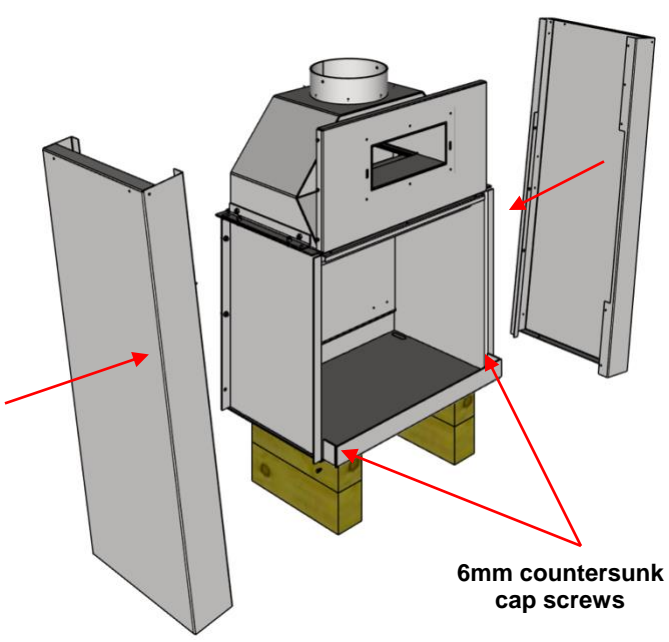


9. Remove the gable with the front top panel attached (2 x 10mm bolts at each side of the firebox). Requires 4 x people one at each corner.



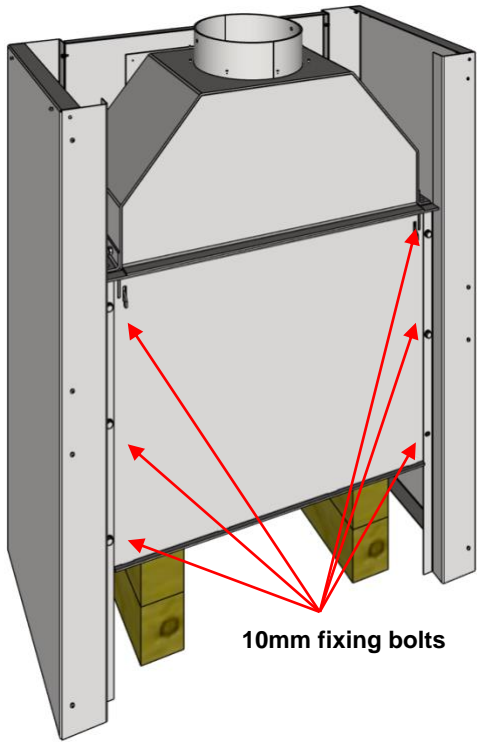
10. Carry the firebox into position.
 Requires 4 x people one at each corner.
Caution: Take care not to jamb fingers when lifting or lowering the firebox into position.

11. Fix the gather (with the front top panel attached) to the firebox (2 x 10mm bolts at each side of the firebox). Requires 4 x people one at each corner.

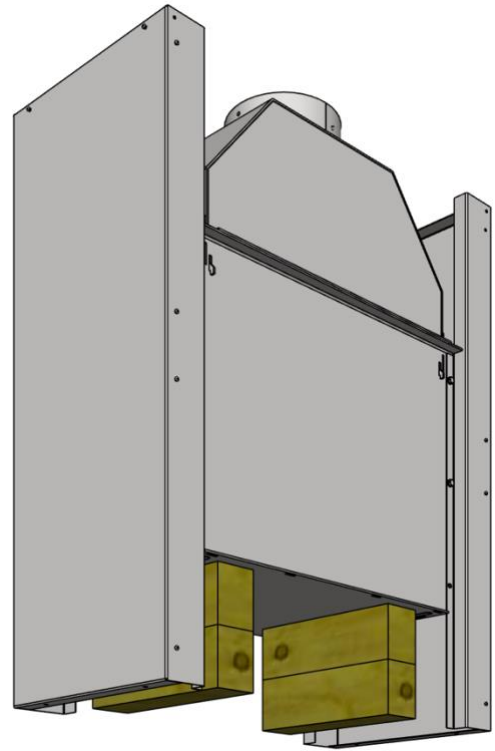


12. Fit the side panels. (2 x 6mm countersunk cap screws each side).

13. Fit the nuts and bolts that hold the side panels to the front top panel. 3 x 5mm nuts and bolts at each side of the firebox.

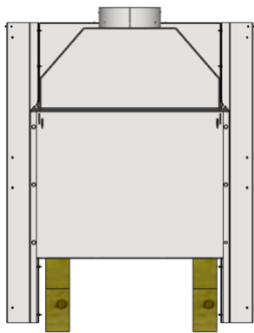


14. Replace the bolts that hold the side panels to the fire box (3 x 10mm bolts at each side of the firebox).

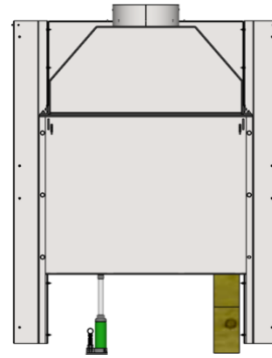


15. Remove the supports and lower the firebox until its level and the side panels are on the ground and in position. Take care not to damage the powder-coating on the lower edge of the side panels.

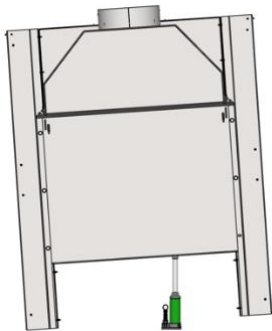
Handy tip:
Use a car jack and lower one side at a time.



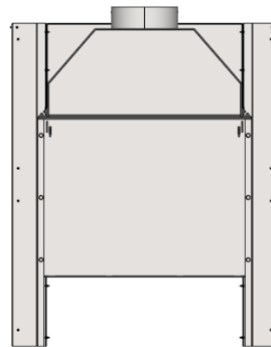
Supported



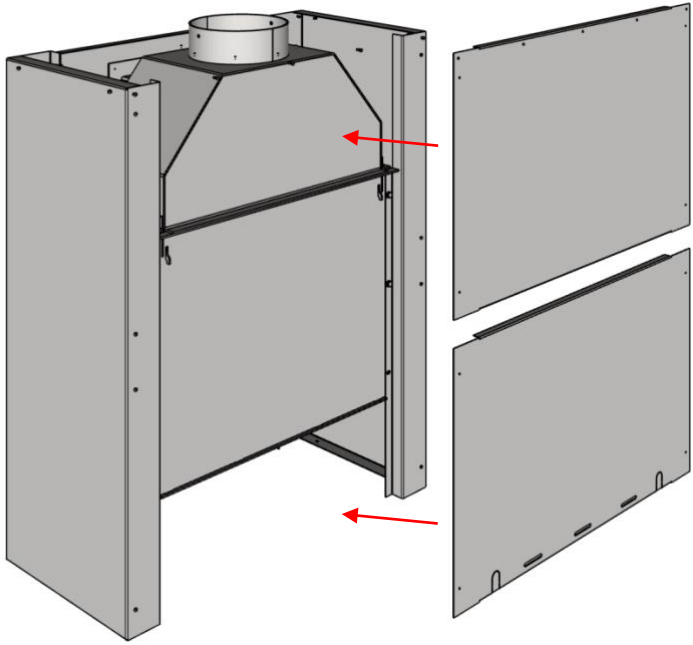
Remove support and lower



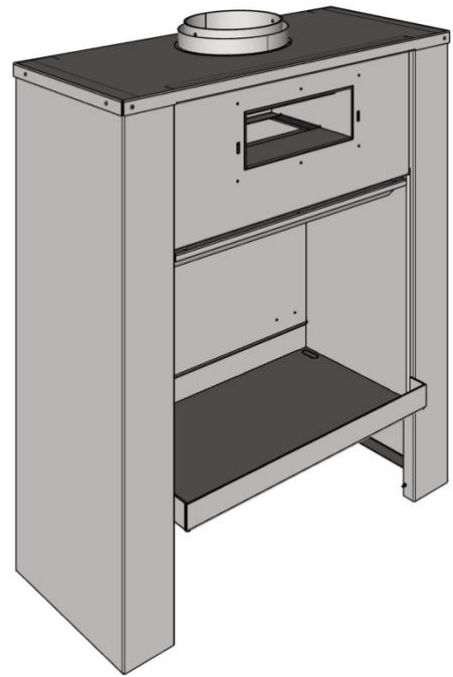
Remove support and lower



In position



16. Fit the rear lower panel and then the Rear top panel (4 x 5mm countersunk cap screws each panel).
NOTE: Loosely fit all the cap crews before tightening.

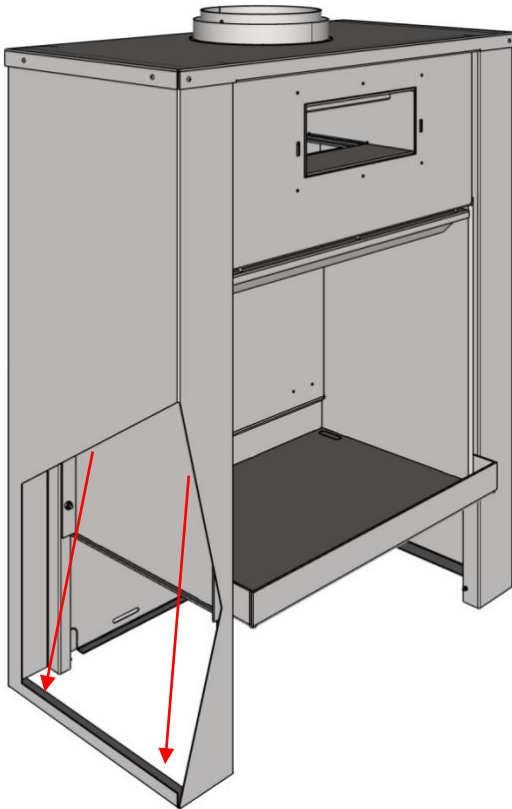


17. Fit the top panel (11 x 5mm countersunk cap screws).
NOTE: Loosely fit all the cap crews before tightening.



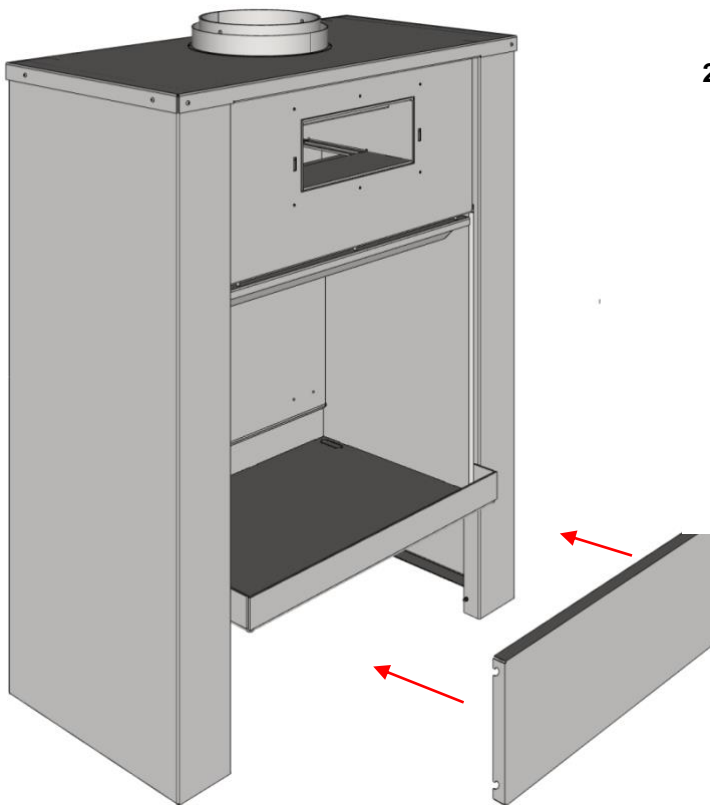
This link will take you to our YouTube video where we explain how to install the WD50

Step 4: Fix fireplace into position



1. Fix the fireplace into position

- Position the fireplace and ensure that it complies with the minimum clearances required (100mm on all sides) to the surrounding enclosure.
- In order to provide maximum positioning flexibility, the base has two 30mm long slots in each side panel.
- Access the fixing holes for the front under the firebox (with the front lower panel removed). The drill will fit up in to the cavity between the firebox and the side panels.
- Mark out and drill fixing holes through the 30mm slots in the base. Ensure holes are drilled in the centre of the slots to allow maximum positioning flexibility. Clear out any debris from drilling.
- Ensure the fireplace is level and pack up corners to suit where necessary. Fix bolts /screws into position. Check and ensure unit is level.
- **NOTE: If this fireplace is positioned on a combustible surface – go to Step 5.**

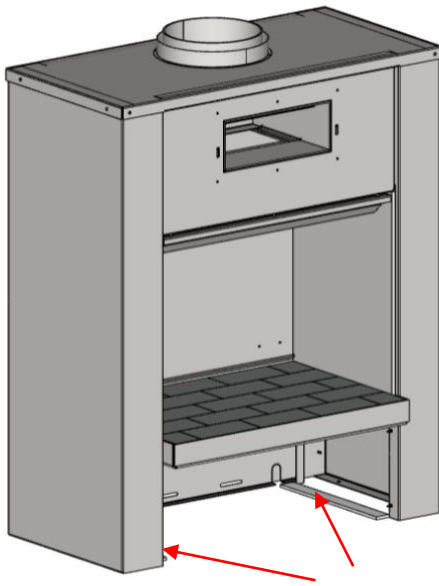


2. Fit front lower panel.

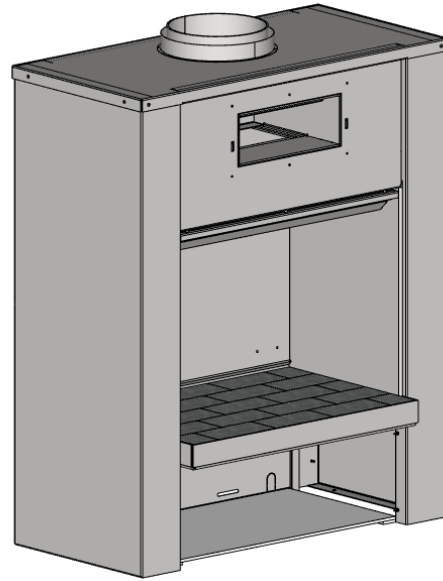
- The front lower panel hangs on bolts.
- In one movement carefully push the panel into the cavity under the firebox until it meets the fixing bolts then lower the panel down and into position on the 10mm bolts.
- **NOTE: Do not fit front lower panel yet if the fireplace is positioned on combustible materials – go to Step 5.**

Step 5: Fit hearth (optional)

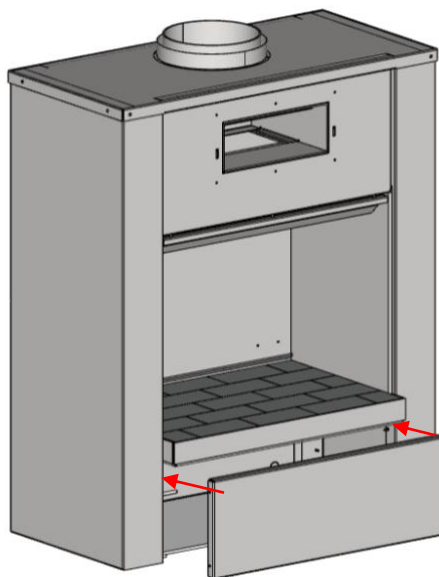
Heat barrier and hearth will be required if the fireplace is positioned onto combustible materials.



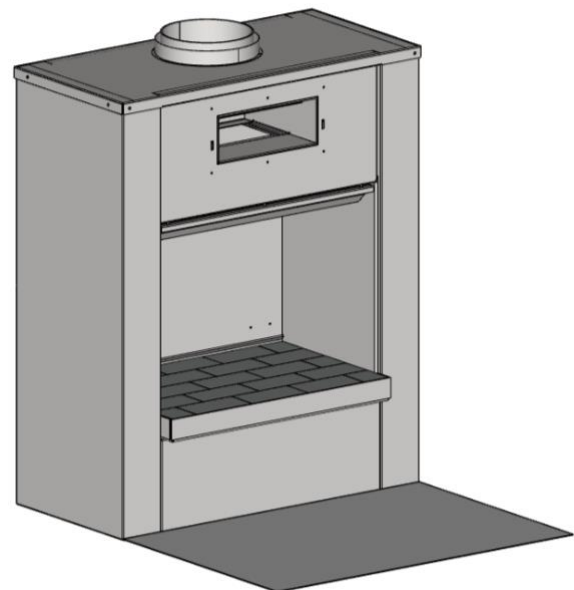
1. Fix the heat barrier supporting slips into position in accordance with technical specifications.



2. Fix heat barrier panel on top of supporting slips in accordance with technical specifications.



3. Fit the front lower panel.

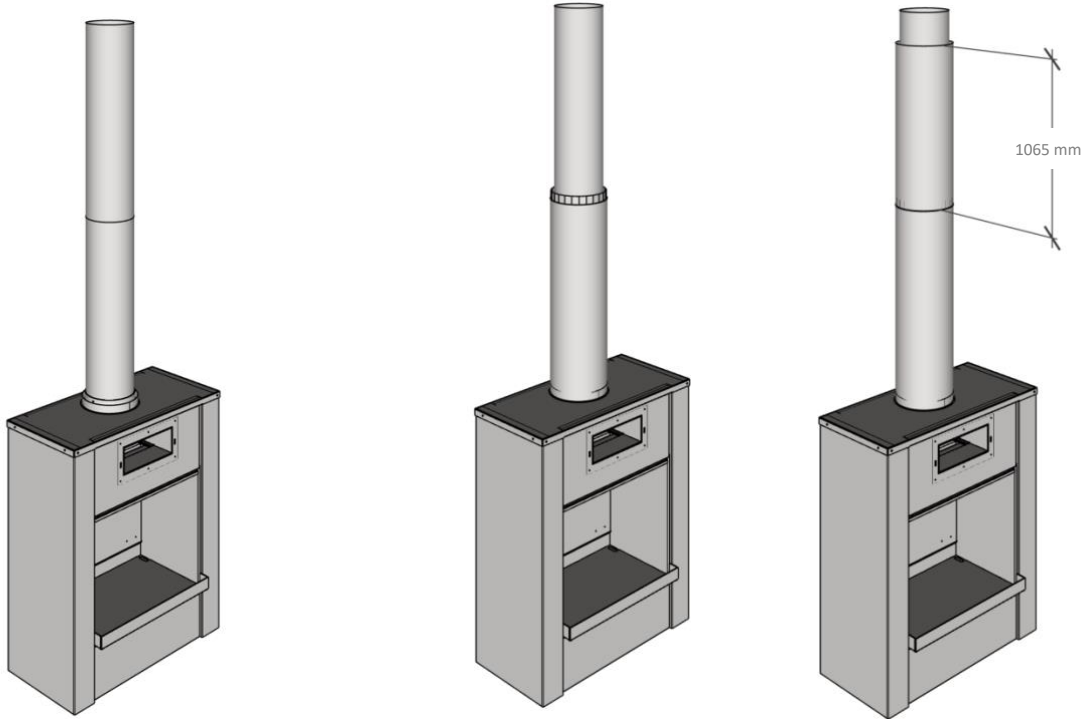


4. If appliance is positioned onto combustible surface, fix the hearth into position in accordance with technical specifications. (Shown with tread plate aluminium hearth panel – powder coat finish. Can be supplied as an additional component)

Step 6: Fit flue

Note: A safe working platform is required to fit the flue.

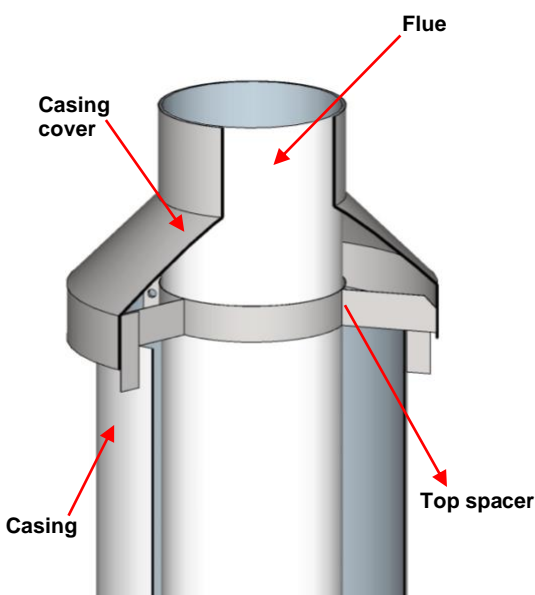
Each flue joint must have a minimum of 4 x stainless steel rivets.



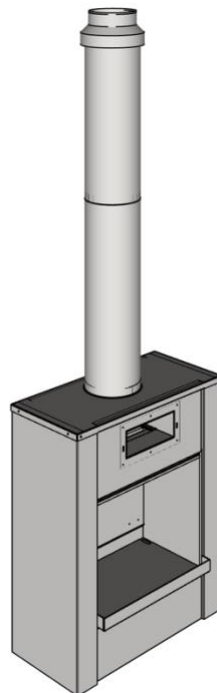
1. Run the 2 x flues. The crimped end runs into the firebox spigot. Rivet the first length of flue in 4 points tangentially to the spigot and again on the joint between the two flues

2. Run the first casing. The crimped end is at the top. The casing fits over the spigot on the outer panel. Position the seam in the casing to the least viewed direction of the firebox, then rivet in 4 points tangentially the casing to the firebox spigot

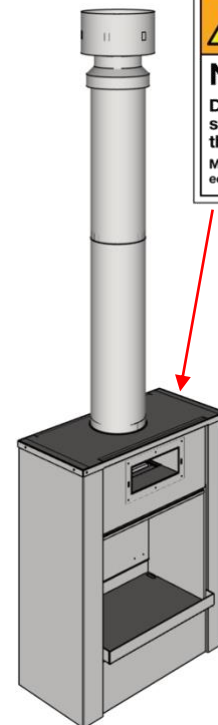
3. Run the second casing. Rivet the second casing cover in 4 points tangentially to the first length of flue on the joint between the two flues. The casing fits over the crimped end on the first casing



4. Fit the top spacer over the flue and into the casing.



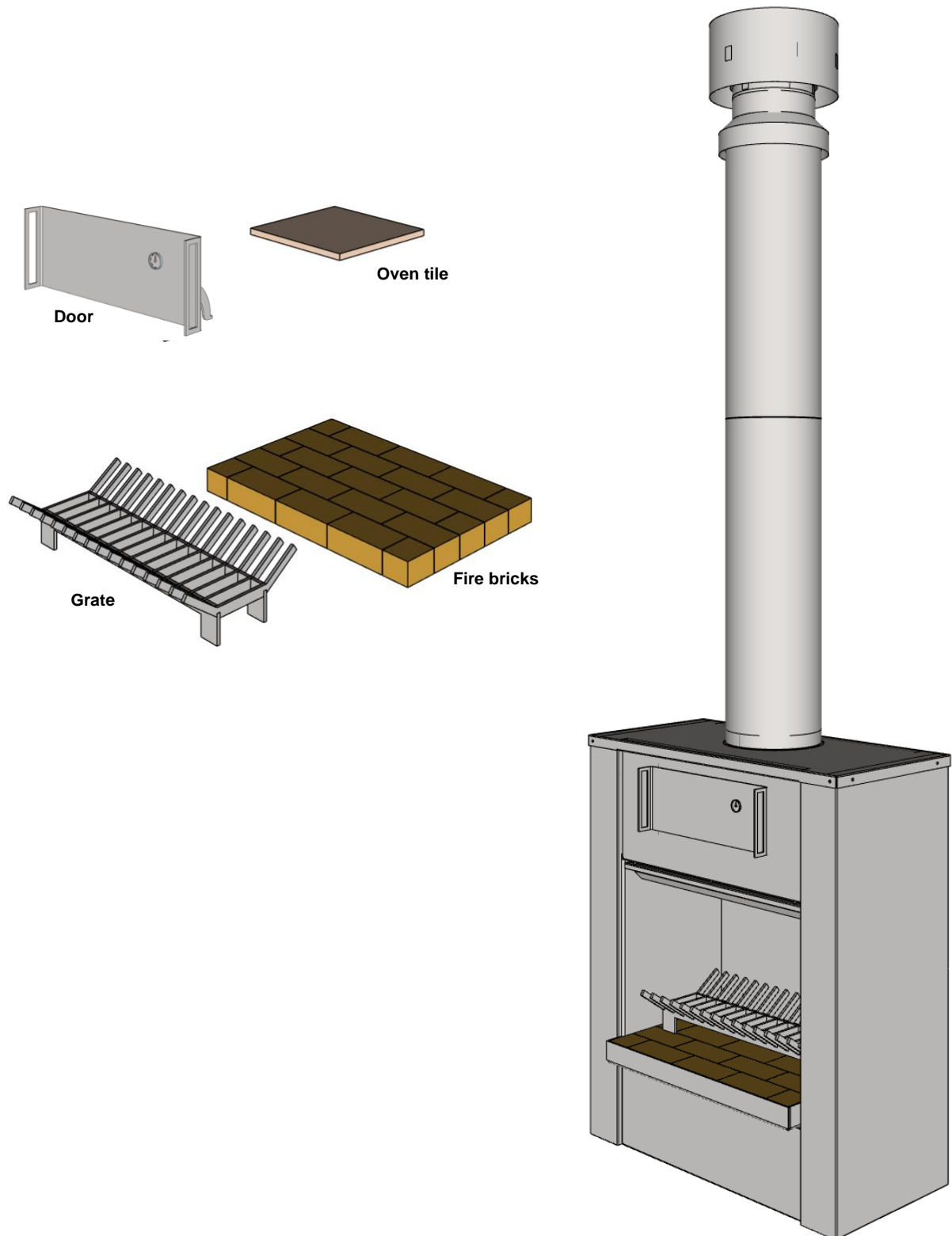
5. Fit the casing cover through the inner flue until it rests on top of the top spacer.



6. Fit the cowl inside the inner flue. Rivet once to the casing cover and inner flue.



Step 7: Fit oven tile, door, fire bricks and grate



Replace the fire bricks. Refer to the photo you took earlier for the correct set-up.

Fit the oven tile.

Fit the door by reversing the door removal process described earlier.

Place the grate in the centre of the fire cavity.

Fireplace is now ready to use.

Step 8: How to operate fireplace

- Following the Operating Instructions on the next page, show the owner how to operate the baffle.
- If the owner is not available, leave this manual by the fireplace.

OPERATING INSTRUCTIONS

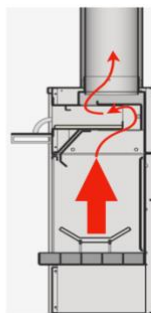
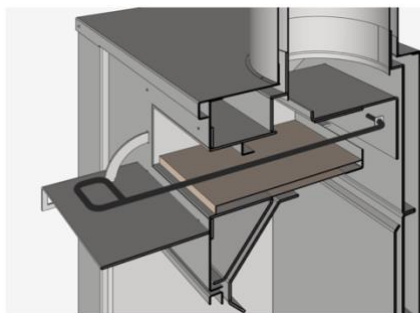
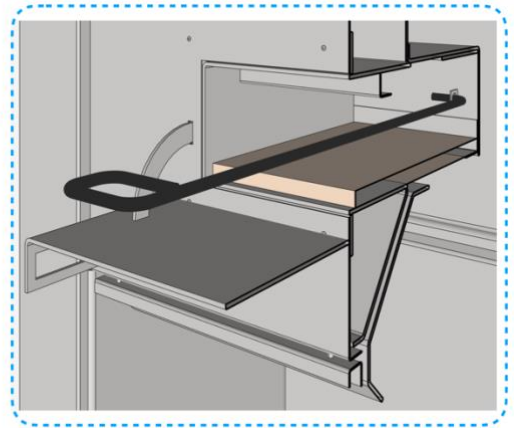
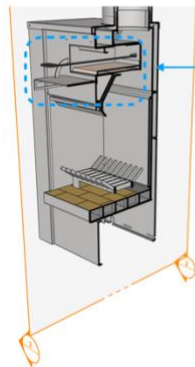
The WD50 has an integrated baffle, which controls the amount of heat and smoke that enters the cooking area.



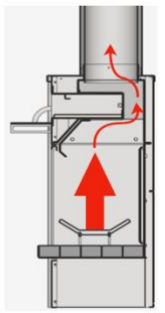
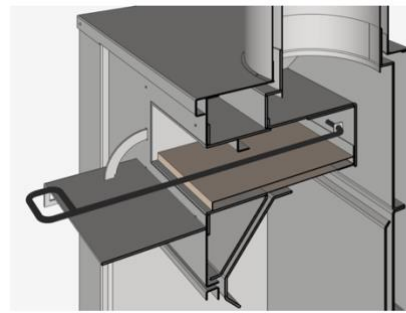
Baffle Hook



Pizza Paddle



Push baffle back to allow heat and smoke to enter the cooking area.



Pull the baffle forwards to stop/adjust heat and smoke entering the cooking area.

- It is recommended that the baffle is closed (pulled forward) when lighting the fire, as this stops small amounts of ash entering the cooking area. Get the fire going then open the baffle (by pushing it backwards) to heat the cooking area. When the cooking area is hot (allow 30 minutes), close the baffle (pulled forward) and place the food inside. Your personal cooking style may vary.
- Ongoing maintenance. It is recommended that the flue be swept every year (some insurance companies require this), or more often if required. Fire bricks will deteriorate over time and must be regularly checked for cracking and movement. Repair or replace as required.

TROUBLESHOOTING

Problem	Probable Cause	Action
Excessive smoke	<ol style="list-style-type: none"> 1. Poor quality or unseasoned wood 2. Draft flowing into or across fire 3. Flue terminates at poor position outside (eg. windy part of roof) 4. A nearby extractor fan is sucking smoke from the fireplace 	<ol style="list-style-type: none"> 1. Change wood 2. Remove source of draft 3. Reposition flue termination 4. Switch off or reposition extractor fan
Baffle stuck or won't adjust	Build-up of rust scale	Lightly tap the rear of the baffle to loosen rust

PRODUCT WARRANTY

IMPORTANT: Evidence of original purchase is required for warranty service.

WARRANTOR: 'The Fire Dept.' (Landscape Elements Ltd)
85 Newton Road
Mount Maunganui
PO Box 10275, Bayfair, Mount Maunganui

ELEMENT OF WARRANTY

'The Fire Dept.' warrants to the original retail owner for the duration of this warranty, it's fireboxes, gas burner tray, lighters, (herein after referred to as the Product) to be free from defects in materials and craftsmanship with only the limitations or exclusions set out below.

WARRANTY

This warranty will be deemed invalid if the Product is;

- (A) Installed by someone other than an authorised Fire Dept agent.
- (B) Not operated appropriately or "over-fired" in a manner resulting in the firebox operating excessively hot.
- (C) Not serviced and maintained by a certified gas fitter every 12 months.
- (D) Damaged by accident, neglect or misuse,
- (E) Repaired by someone other than an authorised Fire Dept repair agent for a defect or malfunction covered by this warranty.
- (F) Modified, altered or used as part of any conversion kits, subassemblies, or any configurations not sold by 'The Fire Dept.'.
- (G) The product contains fire bricks and has not been subjected to the recommended first start-up and run-in procedure.
- (H) Used in conjunction with any equipment or parts or as part of a system not manufactured or supplied by 'The Fire Dept.'.
- (I) External powder-coating within 200m of the high tide mark and not lightly washed with warm soapy water every three months.

Indoor appliances (Gas & Wood)

'The Fire Dept.' warrants the mild steel firebox, galvanised steel outer skin and RHS Duragal steel support frame against defective materials and workmanship which would render it unfit for normal domestic use, from the date of purchase by the original consumer, for a period of 5 (five) years. Beyond normal heat-induced staining, tarnishing and mild warping, if a firebox, outer skin or support frame defect occurs, contact 'The Fire Dept.' and the defect will be repaired or replaced at our discretion with all costs covered.

'The Fire Dept.' warrants the SIT Pack (Gas regulator and controller) against defective materials and workmanship which would render it unfit for normal domestic use, from the date of purchase by the original consumer, for a period of 2 (two) years.

Components including fire medium, fans, tiles, glass and glass trim are warranted for a period of 2 (two) years from the date of original purchase, against defective materials and workmanship.

Outdoor appliances (Gas & Wood)

'The Fire Dept.' warrants the Mild Steel firebox, galvanised steel outer skin and RHS Duragal Steel support frame against defective materials and workmanship which would render it unfit for normal domestic use, from the date of purchase by the original consumer, for a period of 2 (two) years. Beyond normal heat-induced staining, tarnishing and mild warping, if a firebox, outer skin or support frame defect occurs, contact 'The Fire Dept.' and the defect will be repaired or replaced at our discretion with all costs covered.

'The Fire Dept.' warrants the SIT Pack (Gas regulator and controller) against defective materials and workmanship which would render it unfit for normal domestic use, from the date of purchase by the original consumer, for a period of 2 (two) years.

Components including fire medium, fans, tiles, glass and glass trim are warranted for a period of 2 (two) years from the date of original purchase for domestic use, against defective materials and workmanship.

STATEMENT OF REMEDY

In the event that the Product does not conform to this warranty at any time while this warranty is in effect, the Warrantor, at its discretion, will repair the defect or replace the part and return it to you without charge for parts or service. This warranty does not provide for reimbursement or payment of incidental or consequential damages.

This warranty does not in any way affect your rights under the Consumers Guarantee Act (New Zealand).