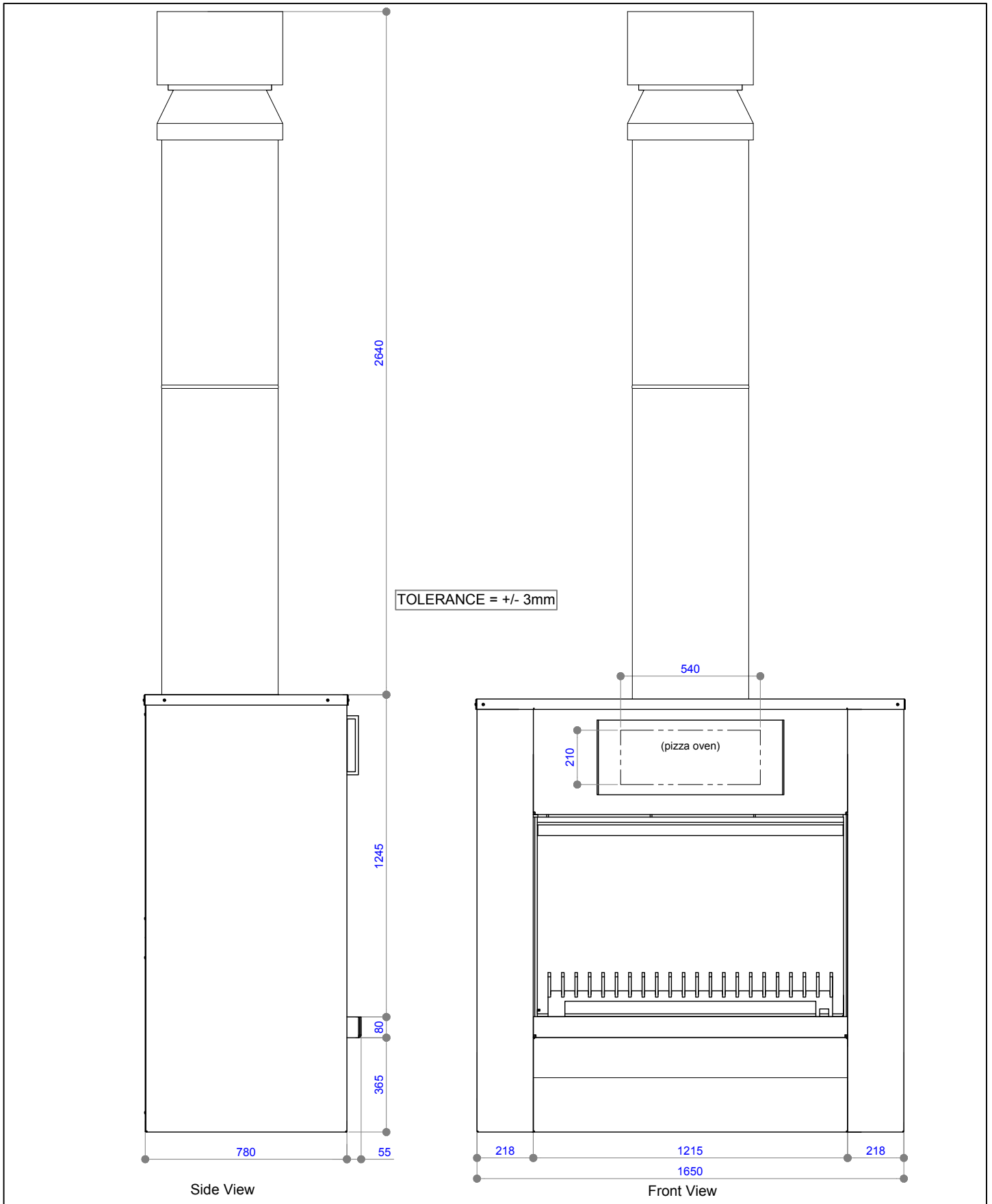
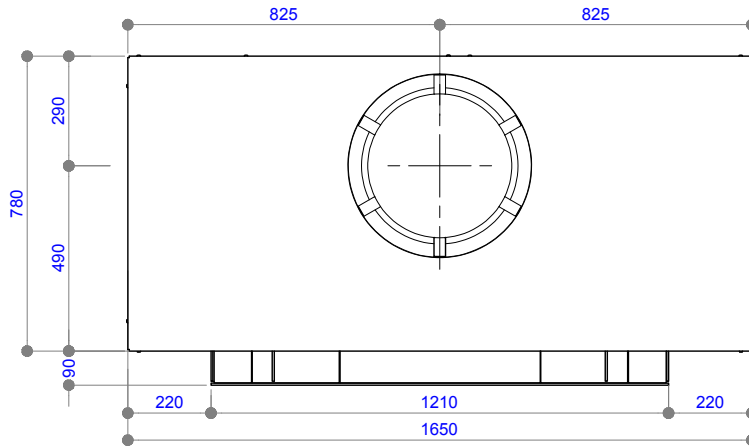




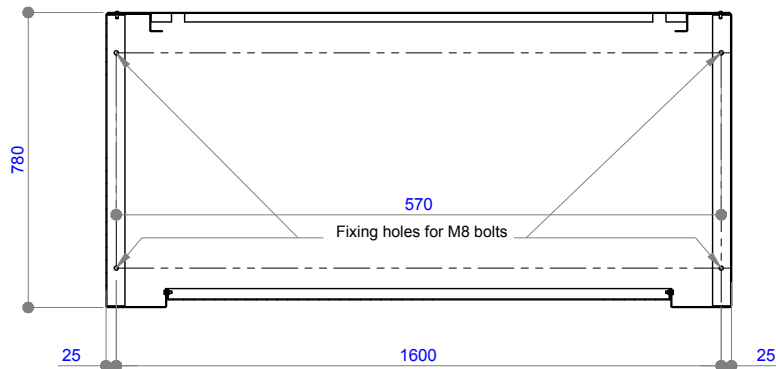
**WD53 | 1600  
SPECIFICATIONS**



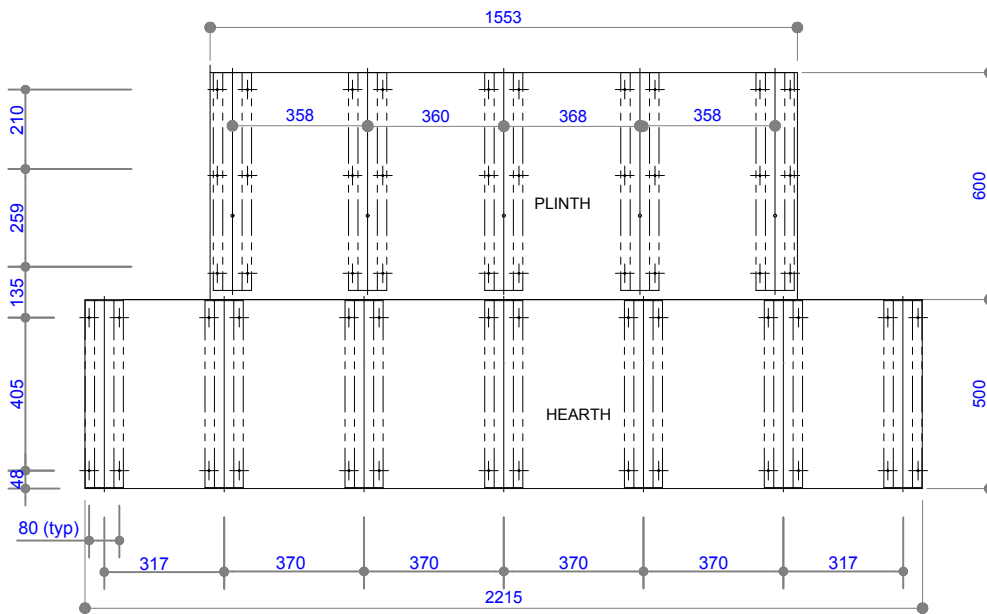
<b>COPYRIGHT©</b> THIS DRAWING IS THE PROPERTY OF The Fire Dept.	Client: THE FIRE DEPT.			
	Product: WD53 - 1600			
	Title: FIREPLACE DIMENSIONS			
	Drawn: JG	Date: 24/09/2021		
	Chkd: LB	Date: 24/09/2021		
Appd: JW	Date: 24/09/2021	Scale: on A4		
Drawing No.	WD53-1600-901	Sheet 01 of 06	Revision <span style="border: 1px solid black; padding: 2px;">2</span>	



Plan View



Fixing Set-out - Plan View



Plinth and Hearth - Plan View

NOTE: Confirm fixing holes and access on site prior to drilling.

NOTE: Hearth does not need to extend past the sides of the fireplace opening, but needs to extend 500mm from front of fire opening.

NOTE: This is an untested appliance, installation needs to comply with AS/NZS 2918:2001

COPYRIGHT ©  
 THIS DRAWING IS THE PROPERTY  
 OF The Fire Dept.

Client: THE FIRE DEPT.

Product: WD53 - 1600

Title: FIREPLACE DIMENSIONS

Drawn: JG

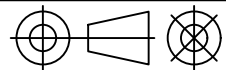
Date: 24/09/2021

Chkd: LB

Date: 24/09/2021

Appd: JW

Date: 24/09/2021



Scale: on A4

THE  
 FIRE  
 DEPT.  
 HAND CRAFTED FIRES

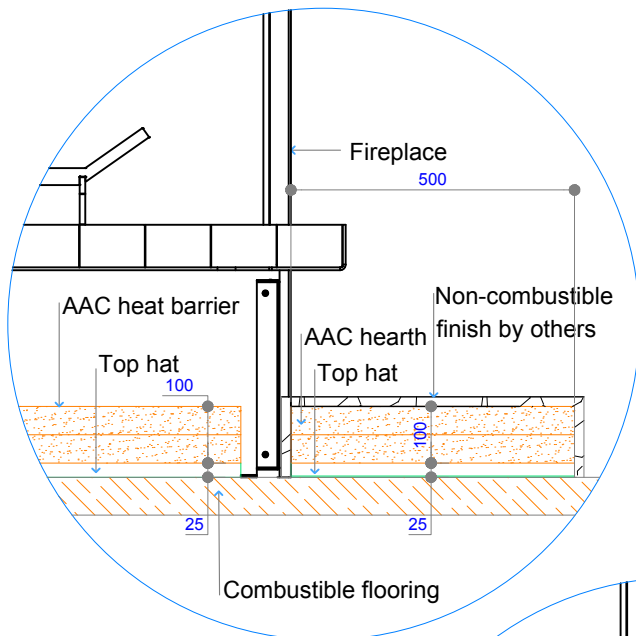
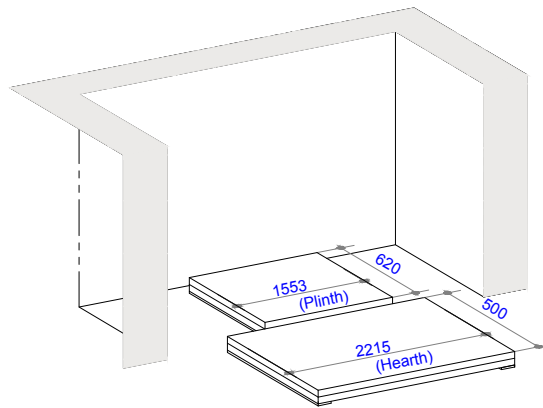
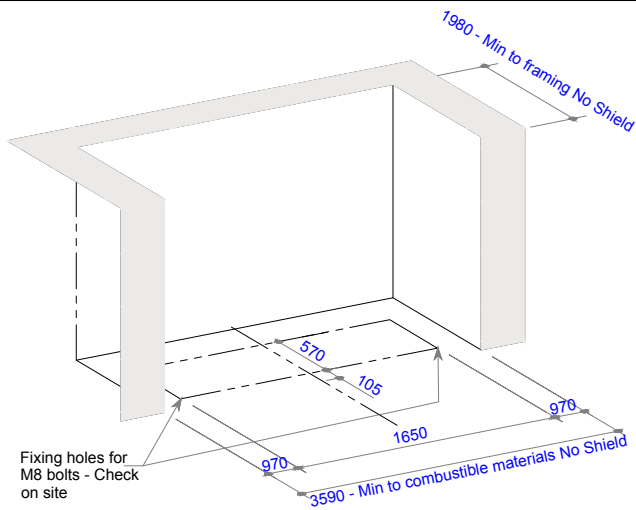
Drawing No.

WD53-1600-902

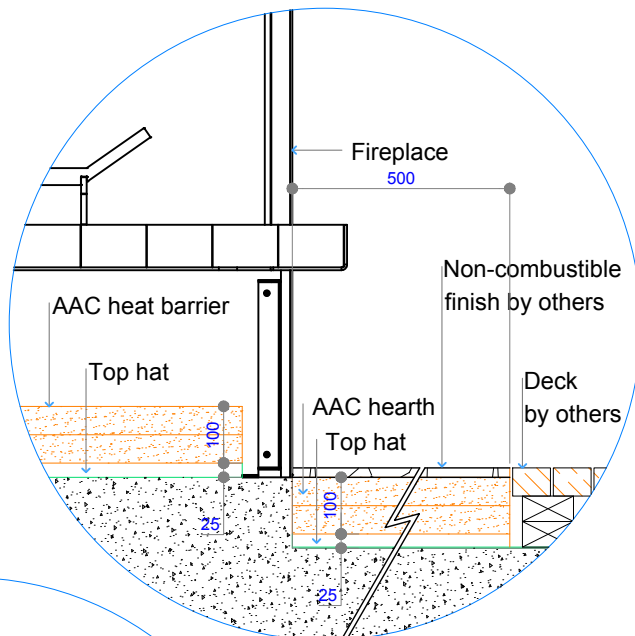
Sheet 02 of 06

Revision

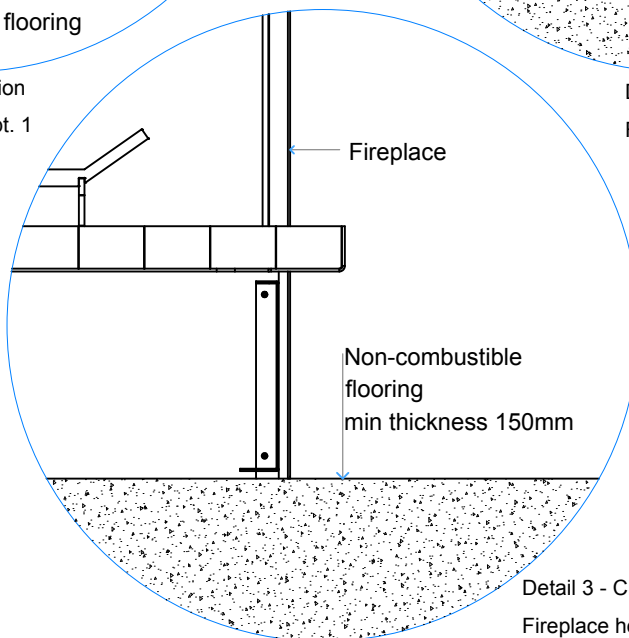
2



Detail 1 - Cross Section  
Fireplace hearth - Opt. 1



Detail 2 - Cross Section  
Fireplace hearth - Opt. 2



Detail 3 - Cross Section  
Fireplace hearth - Opt. 3

COPYRIGHT ©  
 THIS DRAWING IS THE PROPERTY  
 OF The Fire Dept.

Client: THE FIRE DEPT.

Product: WD53 - 1600

Title: CAVITY CLEARANCES and HEARTH DETAILS

Drawn: JG

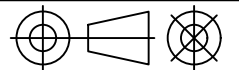
Date: 24/09/2021

Chkd: LB

Date: 24/09/2021

Appd: JW

Date: 24/09/2021



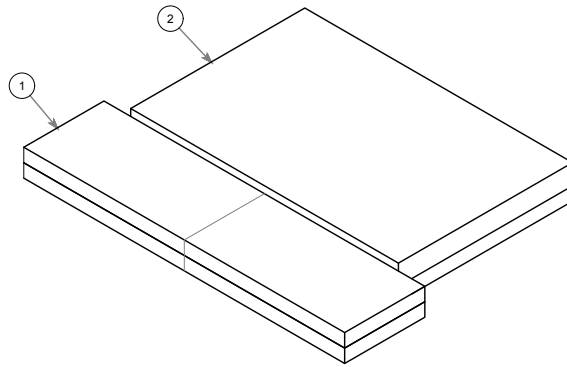
Scale: on A4

THE  
 FIRE  
 DEPT.  
 HAND CRAFTED FIRES

Drawing No. **WD53-1600-903**

Sheet 03 of 06

Revision 2



ACC panel - Cutting plan

ITEM	QTY	DESCRIPTION	MEASUREMENT
1	2	Plinth AAC panel	600mm x 1550mm x 50mm
2	2	Hearth AAC panel	500mm x 2215mm x 50mm

NOTE: This is an untested appliance, installation needs to comply with AS/NZS 2918:2001

COPYRIGHT ©  
 THIS DRAWING IS THE PROPERTY  
 OF The Fire Dept.

Client: THE FIRE DEPT.

Product: WD53 - 1600

Title: AAC CUTTING PLAN

Drawn: JG

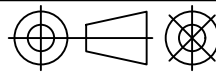
Date: 24/09/2021

Chkd: LB

Date: 24/09/2021

Appd: JW

Date: 24/09/2021



Scale: on A4

THE  
 FIRE  
 DEPT.  
 HAND CRAFTED FIRES

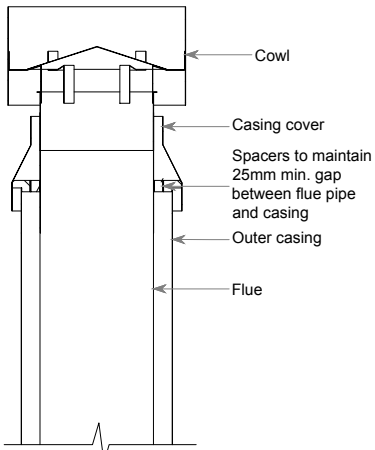
Drawing No.

WD53-1600-904

Sheet 04 of 06

Revision

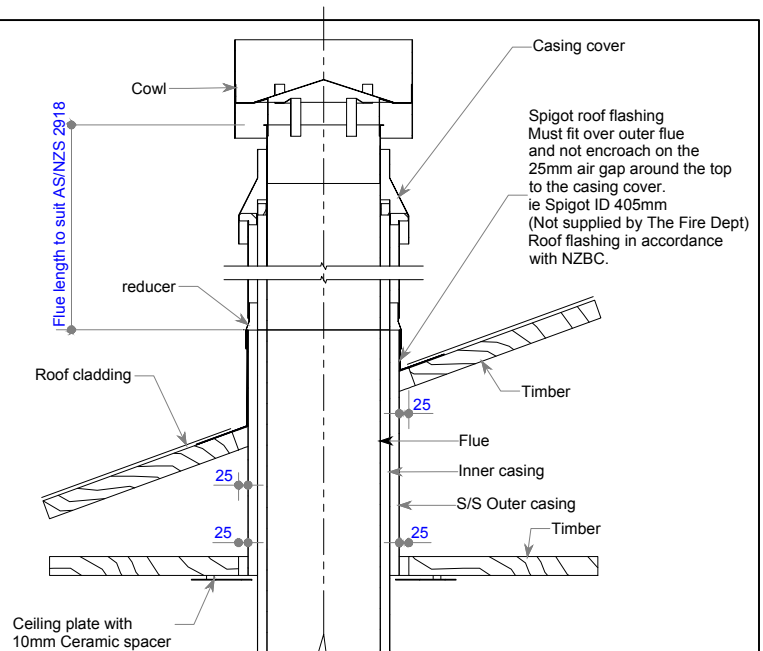
2



Option 1 - Free standing fireplace flue detail -  
Air Ventilation through Casing cover / Top flashing

Flue components:  
400mm Ø Flue  
450mm Ø S/S Outer casing

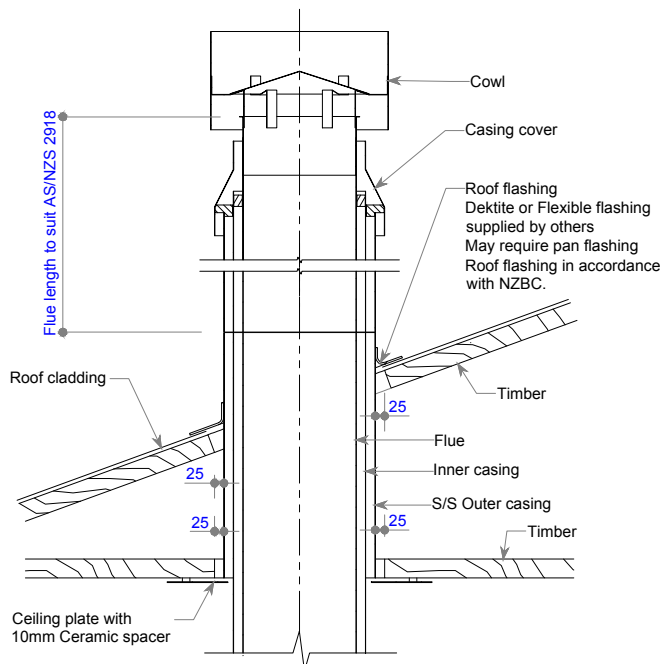
NOTE:  
Flue components must be installed to AS/NZS2918:2001 requirements.  
All external penetration flashings must be installed in accordance with NZBC.  
Cavity airflow must be unobstructed from fire box to flue termination.  
75mm clearance between flue and combustible materials.  
125mm clearance between flue and wiring / plastic water pipes.  
Each flue joint must be sealed with a heat proof sealer.  
Each flue joint must have a minimum of 4 x Stainless Steel rivets.



Option 2 - Roof penetration flue detail  
Air Ventilation through Casing cover / Top flashing

Flue components:  
400mm Ø Flue  
450mm Ø Inner casing  
500mm Ø S/S Outer casing  
510mm Ø ID to 495mm Ø OD reducer  
Spigot flashing supplied by others

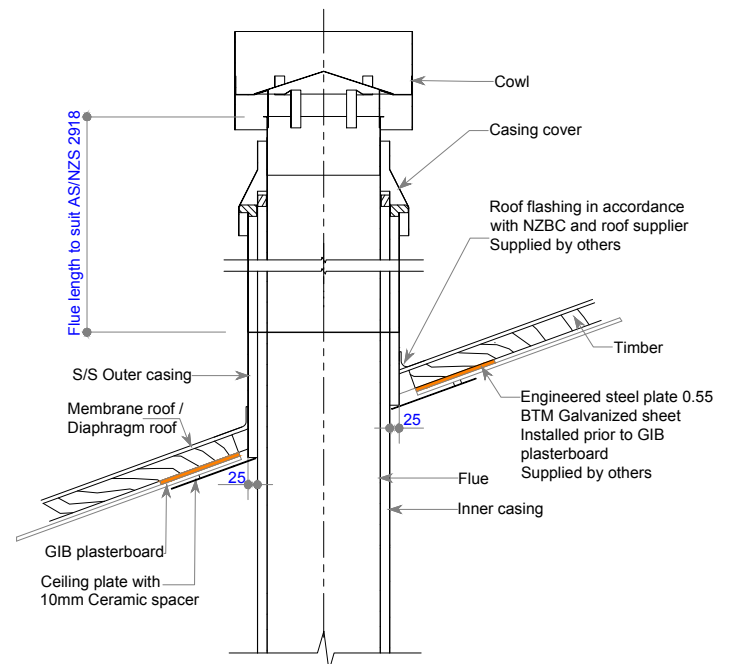
Spigot roof flashing  
Must fit over outer flue and not encroach on the 25mm air gap around the top to the casing cover.  
ie Spigot ID 405mm  
(Not supplied by The Fire Dept)  
Roof flashing in accordance with NZBC.



Option 3 - Roof penetration flue detail  
Air Ventilation through Casing cover / Top flashing

Flue components:  
400mm Ø Flue  
450mm Ø Inner casing  
500mm Ø S/S Outer casing  
Dektite No.9 supplied by others

Roof flashing  
Dektite or Flexible flashing  
supplied by others  
May require pan flashing  
Roof flashing in accordance with NZBC.



Option 4 - Roof penetration flue detail  
Air Ventilation through Casing cover / Top flashing

Flue components:  
400mm Ø Flue  
450mm Ø Inner casing  
500mm Ø S/S Outer casing  
Flashing supplied by others

Roof flashing in accordance with NZBC and roof supplier  
Supplied by others

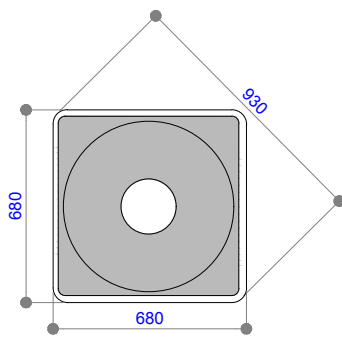
Engineered steel plate 0.55 BTM Galvanized sheet  
Installed prior to GIB plasterboard  
Supplied by others

COPYRIGHT©  
THIS DRAWING IS THE PROPERTY  
OF The Fire Dept.

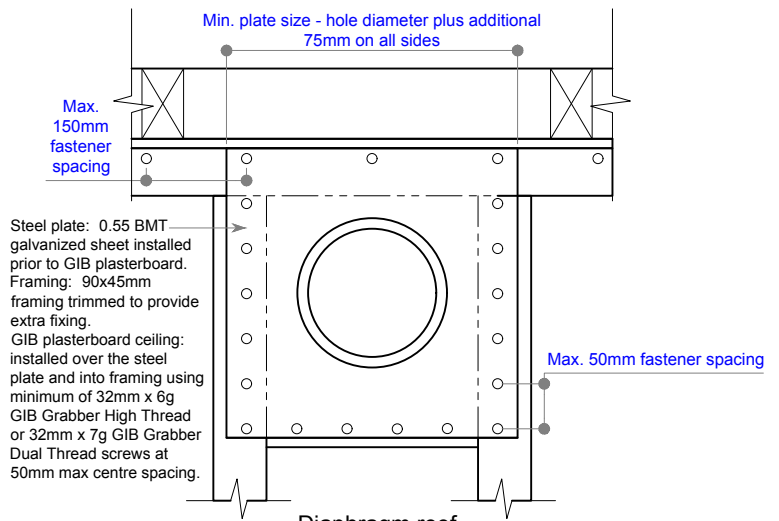
Client: THE FIRE DEPT.		
Product: WD53 - 1600		
Title: FLUE EXIT DETAILS		
Drawn: JG	Date: 24/09/2021	
Chkd: LB	Date: 24/09/2021	
Appd: JW	Date: 24/09/2021	
Scale:		on A4



Drawing No.	<b>WD53-1600-905</b>	Sheet 05 of 06	Revision <span style="border: 1px solid black; padding: 2px;">2</span>
-------------	----------------------	----------------	--



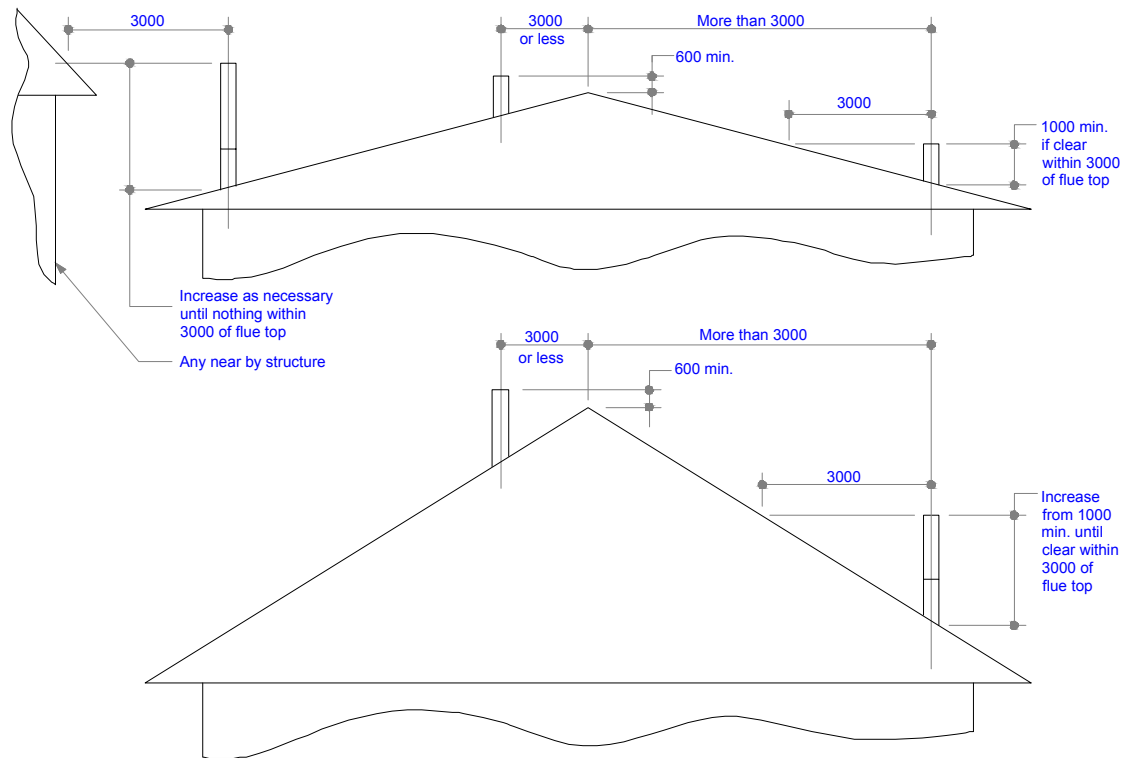
Dektite Flashing No. 9 - Plan View



Steel plate: 0.55 BMT galvanized sheet installed prior to GIB plasterboard. Framing: 90x45mm framing trimmed to provide extra fixing. GIB plasterboard ceiling: installed over the steel plate and into framing using minimum of 32mm x 6g GIB Grabber High Thread or 32mm x 7g GIB Grabber Dual Thread screws at 50mm max centre spacing.

Diaphragm roof  
Penetration plate plan view

Reference: Gib EzyBrace Systems Specification and installation manual (Aug 2016)



Minimum Height of Flue System Exit  
Or as per AS/NZS 2918:2001

Note - Roof Penetrations: Flue pipe to extend not less than 4.6mm above the top of the floor protector, excluding cowl height.

COPYRIGHT©  
THIS DRAWING IS THE PROPERTY  
OF The Fire Dept.

Client: THE FIRE DEPT.		
Product: WD53 - 1600		
Title: VERTICAL FLUE EXIT DETAILS		
Drawn: JG	Date: 24/09/2021	
Chkd: LB	Date: 24/09/2021	
Appd: JW	Date: 24/09/2021	
Scale:		on A4

**THE FIRE DEPT.**  
**HAND CRAFTED FIRES**

Drawing No.	<b>WD53-1600-906</b>	Sheet 06 of 06	Revision <span style="border: 1px solid black; padding: 2px;">2</span>
-------------	----------------------	----------------	--