



**WD7**

**Installation Guide  
Operating Instructions  
Warranty**

# WD7

## Installation Guide, Operating Instructions & Warranty

### IMPORTANT!

This wood fireplace must be installed to **AS/NZS 2918:2001** by a qualified person and in accordance with these instructions. Failure to install the fireplace correctly will void your warranty and may cause a fire. This fireplace should not be modified under any circumstances.

It is recommended that you have this fireplace serviced annually by a qualified technician.

Warranty repairs must be carried out by a 'The Fire Dept.' authorised technician.

This fireplace must ALWAYS terminate/flue outdoors.

Young children, elderly or infirm should be supervised to ensure that they are careful with the fireplace.

Clothing and other flammable materials should never be placed near the fireplace.

Please note that parts (near the flame) of this fireplace become extremely hot during operation and can result in serious injury and burns if touched. It is therefore recommended that a fireguard complying with BS 8423:2002 is used in the presence of young children, the elderly or infirm.

**During the installation of this fireplace, it may be necessary to manually handle heavy components (greater than 25kg). It is the installer's responsibility to ensure appropriate manual-handling techniques are employed.**

**This installation guide must be read in conjunction with the technical specifications for this fireplace.**

<b>The WD7 installation process consists of 11 steps</b>	Page
Step 1: Unpack and ensure all components are correct and undamaged	3
Step 2: Pre-installation checklist	4
Step 3: Choose installation option	5
Step 3: Crane appliance into position (if possible)	6
Step 4: How to disassemble the fireplace (if required)	7
Step 5: Fix firebox into position	8
Step 6: Rotating Option: Set up rotating base	9
Step 8: Floor mounted option	11
Step 9: Wood Box option	12
Step 10: Fit flue	14
Step 11: How to operate fireplace	15
Operating instructions	16
Troubleshooting	16

Information in this installation guide may be subject to change without notice.

Please ensure you have the current version before beginning installation.

**If you have any queries, please contact 'The Fire Dept.' on 0800 888 550**

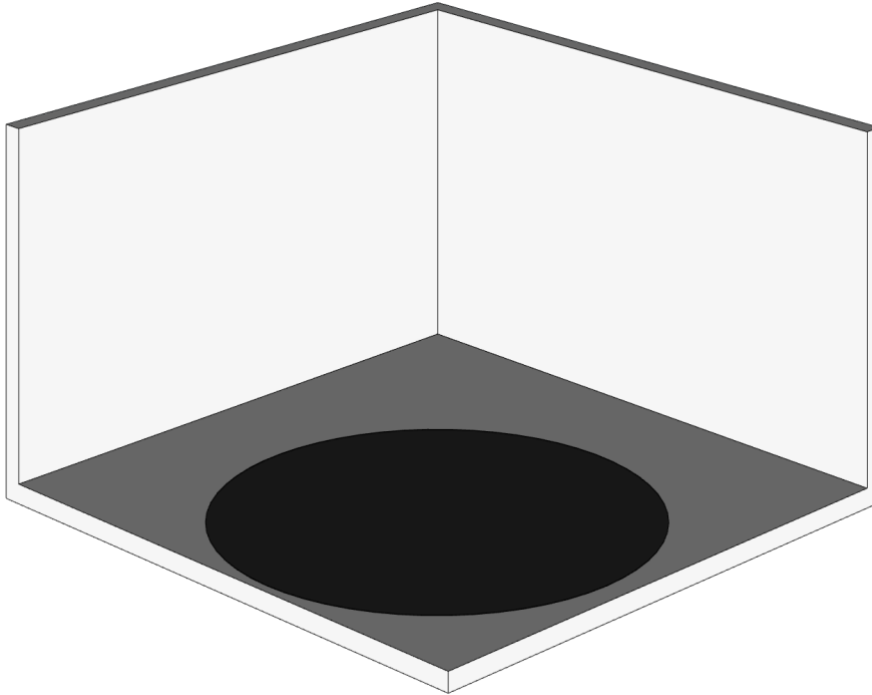


## **Step 1: Unpack and ensure all components are correct and undamaged**

- Fireplace, with ashpan.
- Flue kit.
- WD7 technical specifications (to be read in conjunction with this installation guide).
- Rotating base (optional)
- Floor protector (optional – required for installation onto combustible surface).

## Step 2: Pre-installation checklist

- Ensure clearances are correct – refer to technical specifications.
- Ensure hearth dimensions are correct – refer to technical specifications.
- Plan flue path.
- Ensure the base is strong enough to support the fireplace.

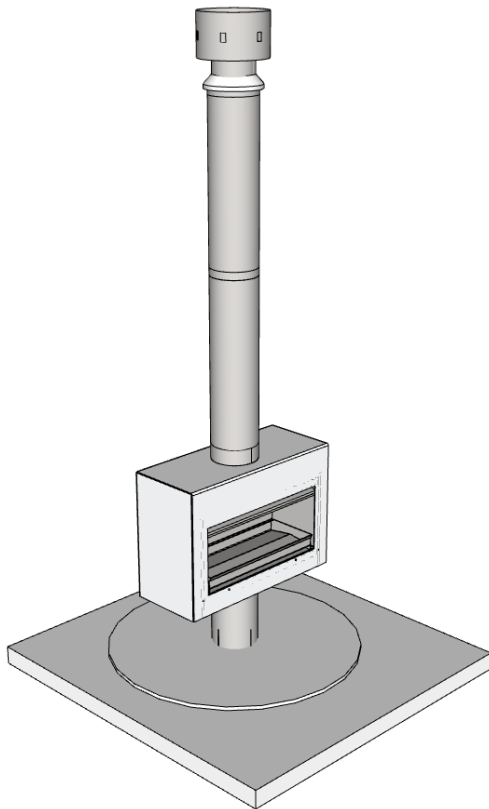


The starting point (rotating option shown).

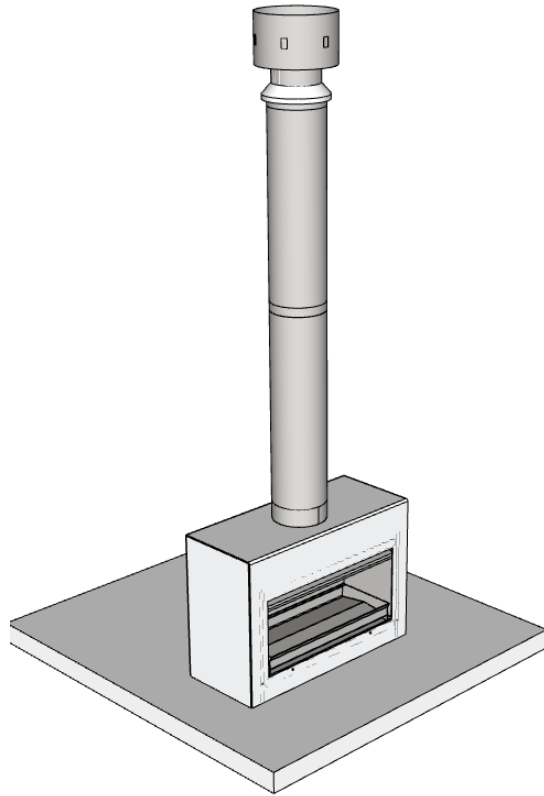
**Note:** Ensure clearances are correct – refer to technical specifications.  
Floor protector is required if the fireplace is to be positioned on combustible materials

### Step 3: Choose installation option

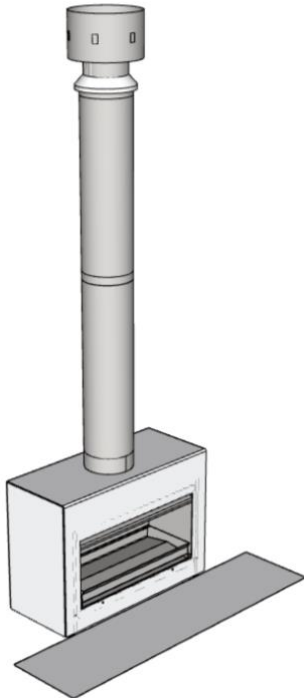
The WD7 can be installed in four different configurations.



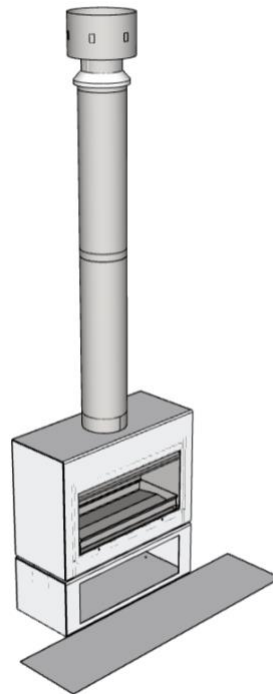
**A. Rotating – Follow installation Step 3 and 6**



**B. Positioned onto non-combustible material - Follow installation from Step 3 to 5**



**C. Positioned into combustible material - Follow installation from Step 3 to 5 and Step 8**



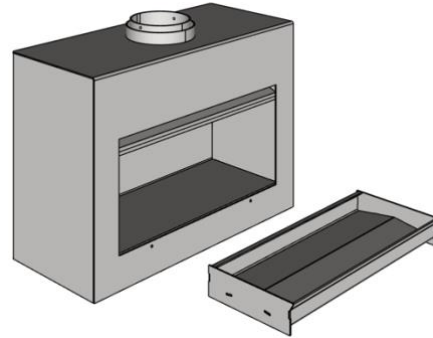
**D. Positioned onto a wood store - Follow installation Steps 3 or 4, Step 10 and Step 5.**

### Step 3: Crane appliance into position (if possible)

If the fireplace cannot be craned into position, it needs to be disassembled then reassembled into position. Follow Step 4.

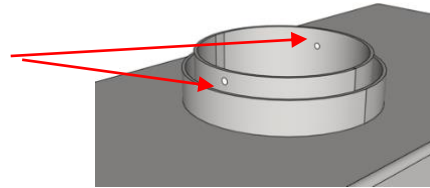
#### Remove the ash pan

- Remove the ash pan from the unit to reduce overall weight and fall hazard



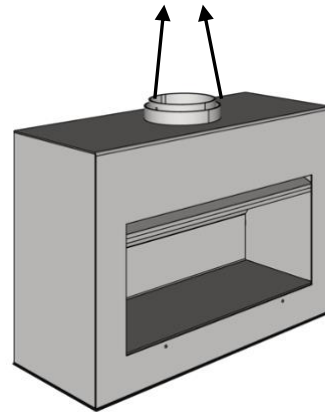
#### Before lifting the firebox

- Connect a chain strong enough to hold the weight of the unit (approx. 170kg without the ash pan) within the provided shackles.



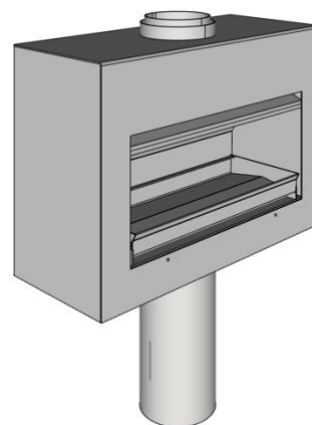
#### Lifting the firebox

- Carefully lift the firebox using a crane/Hi-Ab or similar.
- Position the firebox onto the bracket.



#### Fix the fireplace into position

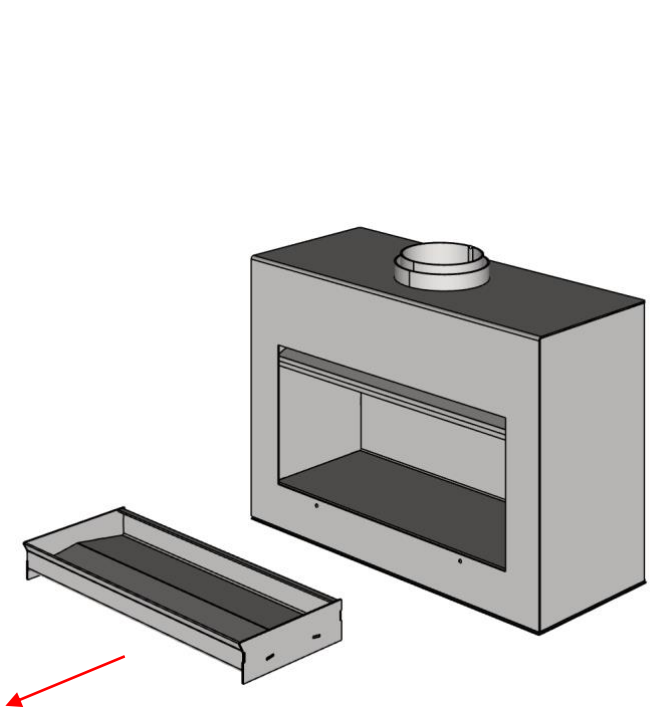
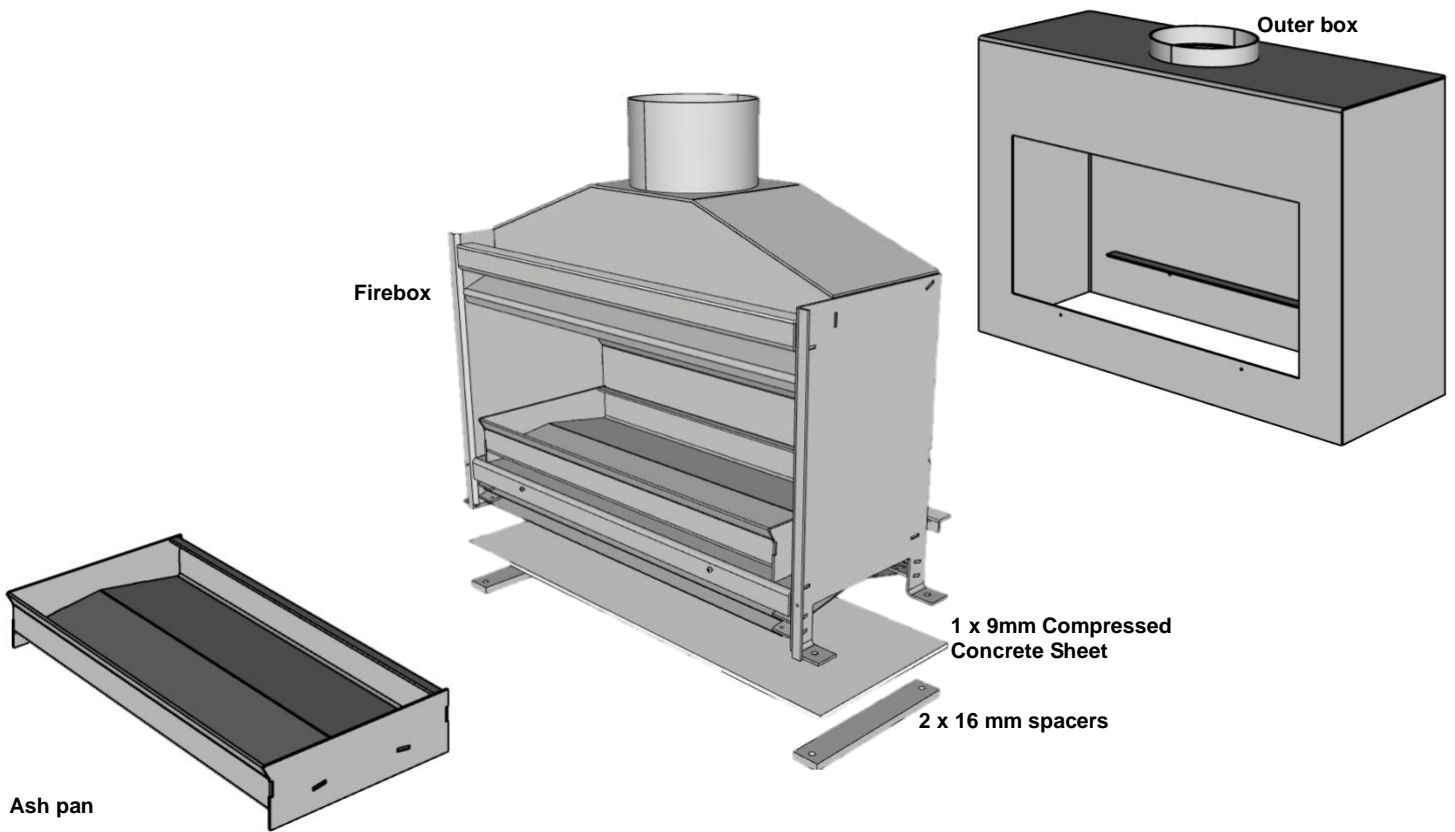
- Ensure the fireplace is level and pack up (with steel washers) corners to suit where necessary. Fix bolts into position. Check and ensure unit is level.



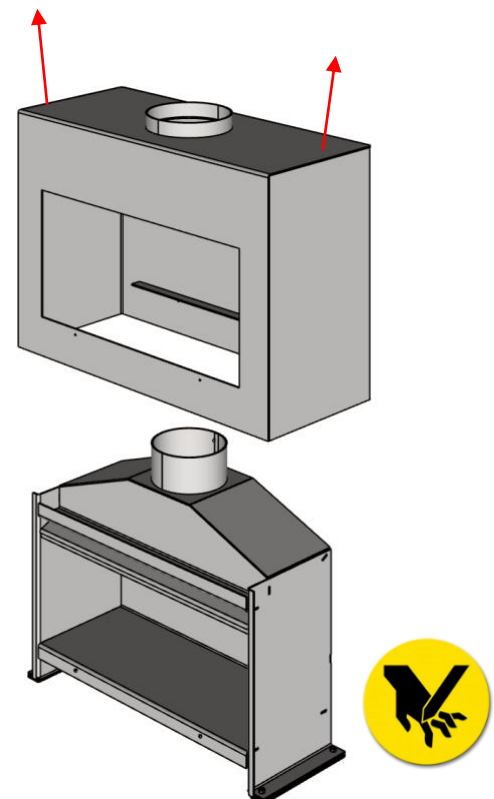
Move to Step 10: Fit flue.

## Step 4: How to disassemble the fireplace (if required)

If the fireplace cannot be craned into position, it needs to be disassembled then reassembled into position.



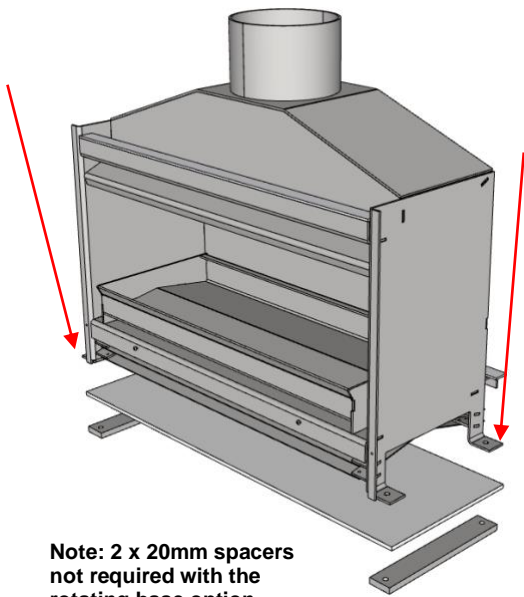
1. Remove the ash pan



2. Remove the outer box (4 x 5mm cap screws 2 at the front and 2 at the back)

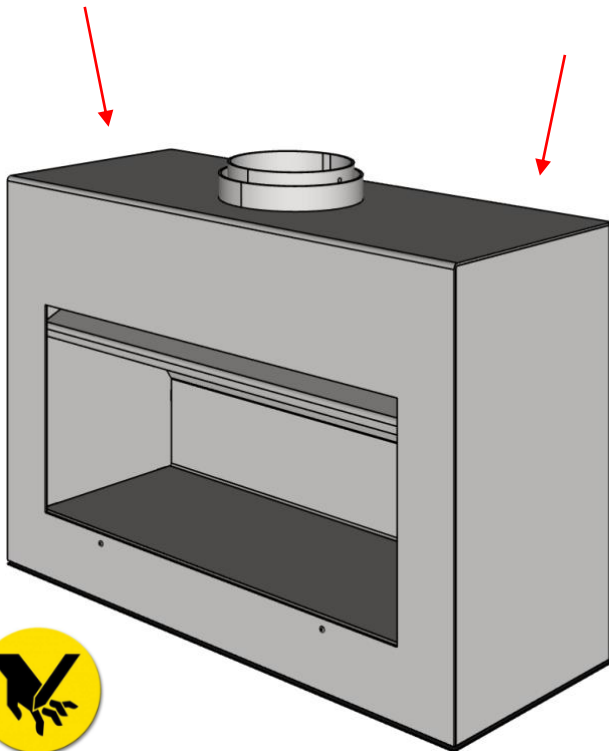
**Caution: Take care not to jamb fingers when lifting the outer box over the firebox and into position.**

## Step 5: Fix firebox into position



### 1. Fix the firebox into position

- Connect a chain strong enough to hold the weight of the unit (approx. 130kg without the ash pan and outer box) within the provided shackles.
- Carefully lift the firebox.
- Position the firebox and ensure that it complies with the minimum clearances required.
- The 2 x 16mm spacers plus a layer of 9mm Compressed Concrete Sheet are required to keep the firebox at the required height. (not required for the rotating base option).
- Mark out and drill fixing holes through the fixing feet. Ensure the 16mm 2 spacers (1 each side) are in place. Clear out any debris from drilling (not required for the rotating base option).
- Ensure the firebox is level and pack up corners (under the 5mm spacers) to suit where necessary. Bolt into position. Check and ensure unit is level.
- **NOTE:** If this firebox is positioned on a combustible surface see step 5 details below.



**Caution:** Take care not to jamb fingers when lowering the outer box over the firebox and into position.

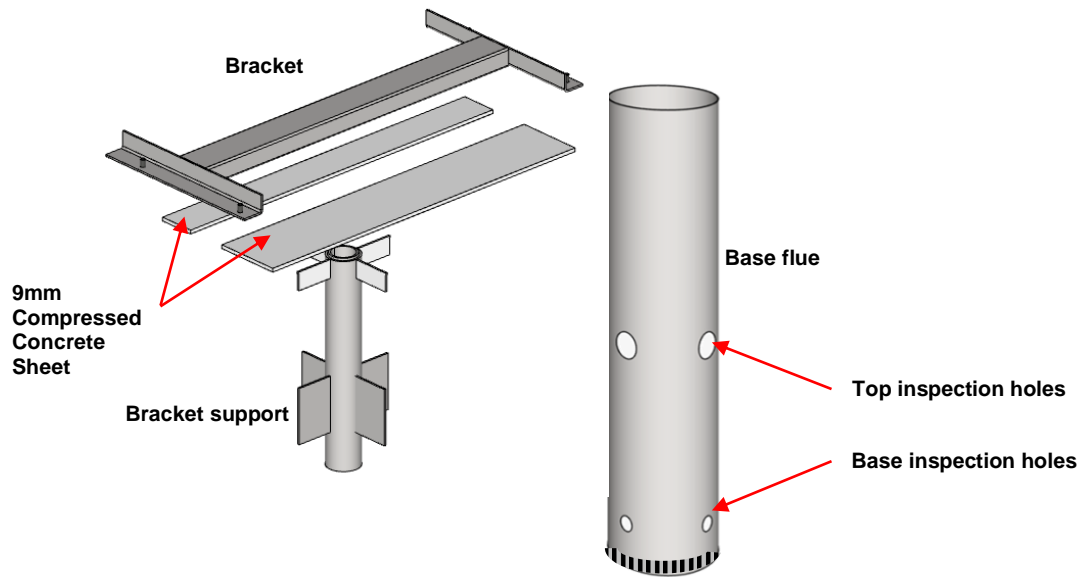
### 2. Fit Outer box.

- Lower the outer box into position over the firebox. (approx. 42kg, better handled with two people)
- The outer box will rest in position with a 5mm air gap all the way around the lower edge of the outer box and the base that the firebox is fixed onto. (non-rotating option only).
- Fit the 4 x 5mm cap screws (2 at the front and 2 at the back).

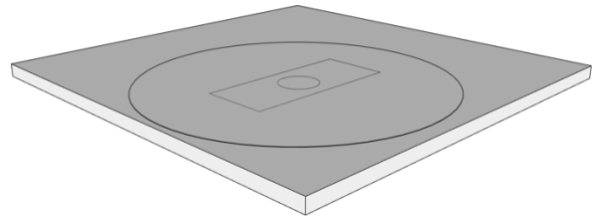


## Step 6: Rotating Option: Set up rotating base

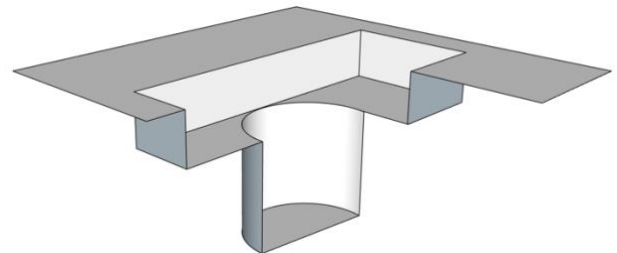
The best installation option is to crane the fully assembled fireplace into position, if this is not possible, follow the instructions in step 3B.



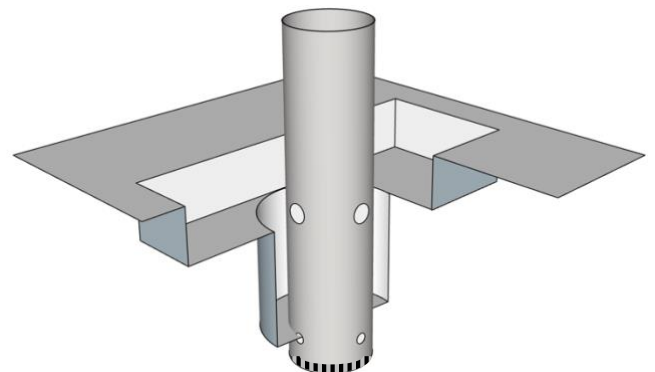
1. Mark out the centre of the fireplace location



2. Dig out the footing, 500mmx500mmx600mm deep - refer to technical specifications



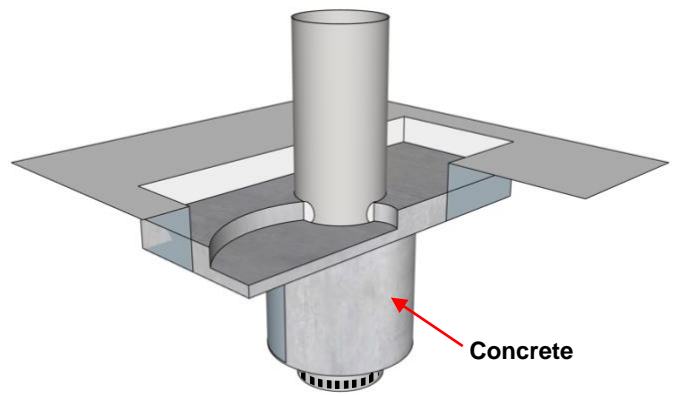
3. Fit base flue into the footing - refer to technical specifications. The base flue is longer than the depth of the hole. Push the crimp end of the flue into the soil at the bottom on the hole (up to the lower inspection holes) to hold the base flue level.



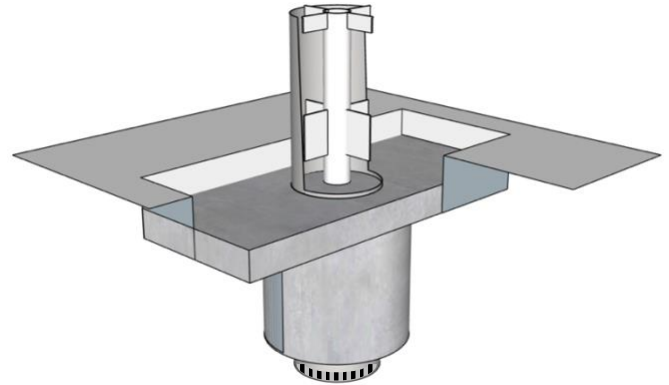
### Handy tip:

Dig the hole deeper than required, fit / level the base flue and the backfill up to the lower inspection holes

- Carefully fill (without moving the base flue out of level) in and around the base flue up to the inspection holes with 30MPa concrete.

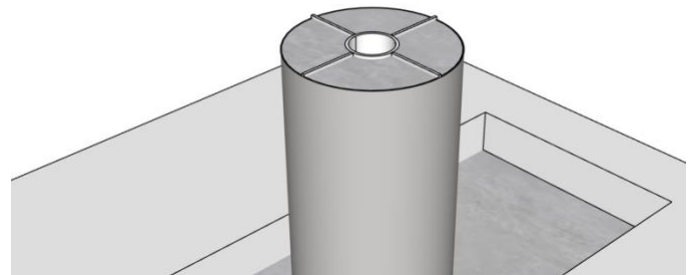


- Fit the bracket support into the base flue.

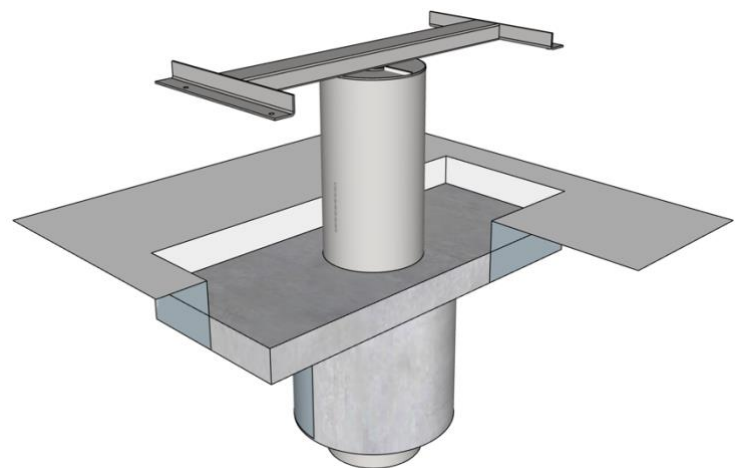


- Carefully complete filling the base flue to the top with 30MPa concrete. There must be no concrete in the centre of the bracket support.

**Note: Clean any concrete off the outside of the base flue before it sets. If your firebox is painted, use the supplied scotch pad and can of paint to paint this section. (follow directions for use written on the spray can)**

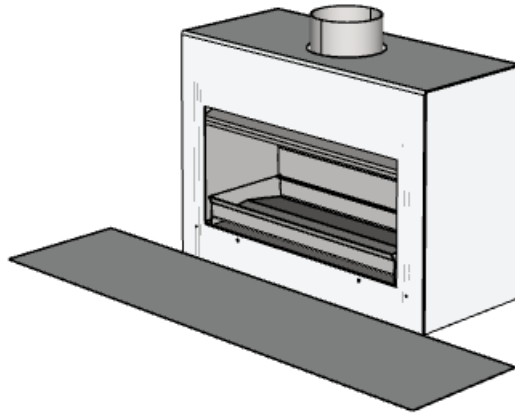


- Once the concrete has set fit the bracket into the bracket support with the 9mm Compressed Concrete Sheet.

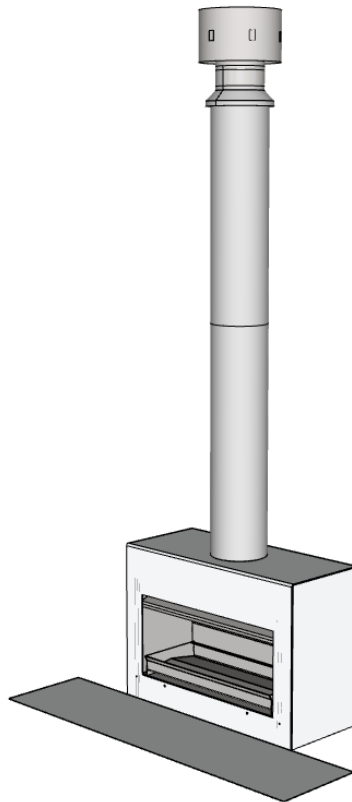


## Step 8: Floor mounted option

4mm thick non combustible floor protector with a layer of 9mm Compressed Concrete Sheet will be required if the fireplace is positioned onto or recessed into combustible materials.

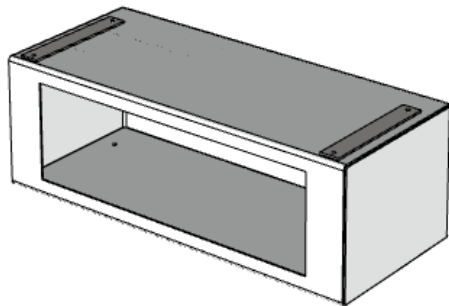


1. Fix the floor protector into position in accordance with technical specifications.

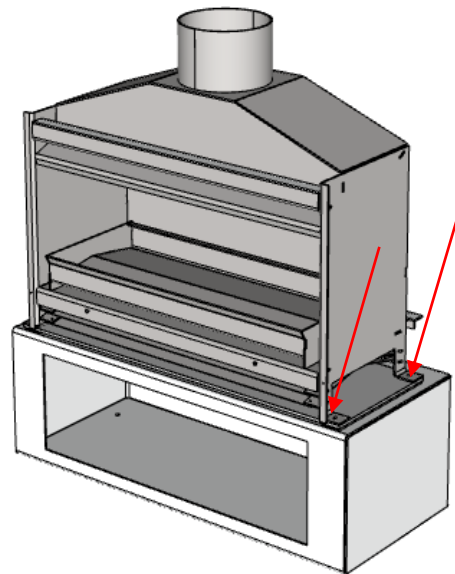


Example of the tread plate hearth on top of a layer of 9mm Compressed Concrete Sheet. NOTE: The floor protector needs to be installed centrally with the fireplace.

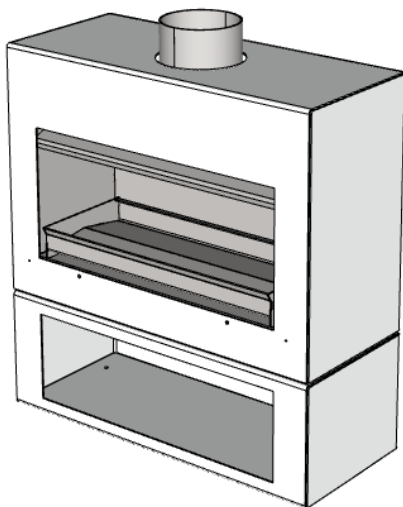
## Step 9: Wood Box option



1. Fix the wood store into position in accordance with technical specifications.

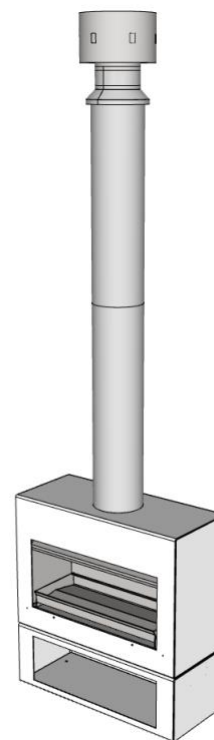


- 4b. Fix the firebox onto the wood store. Fit the bolts through the 2 x 16mm spacers and the 9mm Compressed Concrete Sheet into the supporting brackets (2 x 10mm x 100mm long bolts each side).



5. Fit Outer box.

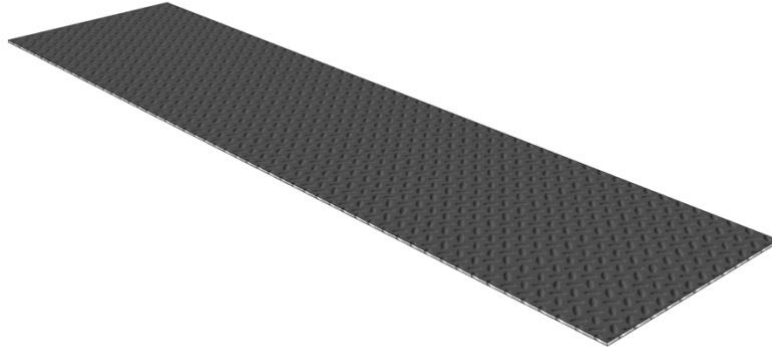
- Lower the outer box into position over the firebox. (approx. 42kg, better handled with two people)
- The outer box will rest in position with a 20mm air gap all the way around the lower edge of the outer box and the base that the firebox is fixed onto.
- Fit the 4 x 5mm cap screws (2 at the front and 2 at the back).



Example of the firebox onto a wood store.

**Note: 4mm thick non combustibile floor protector will be required if the firebox is positioned onto combustibile materials. NOTE: The floor protector needs to be installed centrally with the fireplace.**

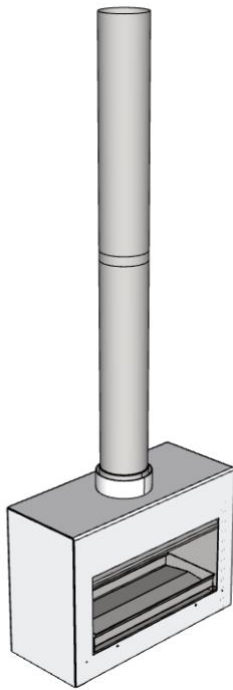
## Optional extras:



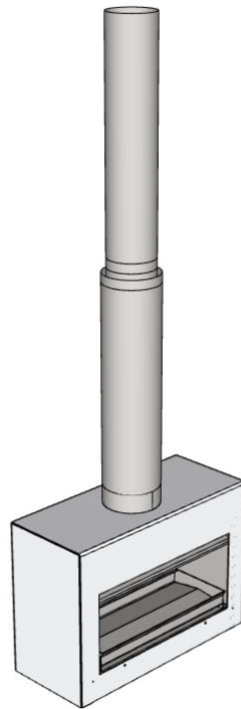
**4mm Tread plate aluminium hearth panel. Can be used by itself onto a combustible surface when unit is raised of floor level and with a layer of 9mm Compressed Concrete Sheet underneath if placed at floor level. Includes powder-coating.**

## Step 10: Fit flue

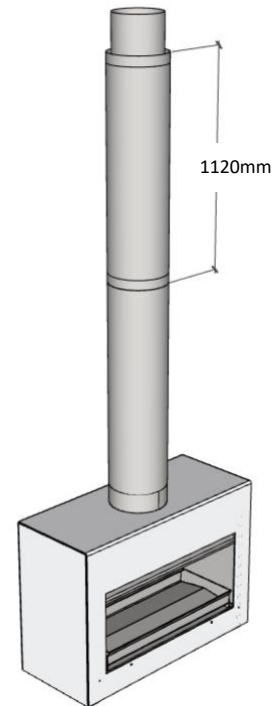
Each flue joint must have a minimum of 4 x stainless steel rivets.



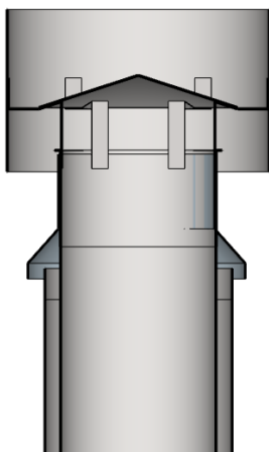
1. Run the 2 x flues.  
The crimped end runs into the firebox spigot.
2. Rivet the first length of flue in 4 points tangentially to the spigot and again on the join between the two flues.



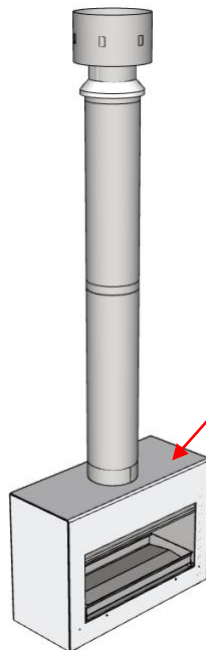
3. Run the first casing.  
The crimped end is at the top. The casing fits over the spigot on the outer panel. Position the seam in the casing to the least viewed direction of the firebox, then rivet in 4 points tangentially the casing to the firebox spigot.



4. Run the second casing cover.
5. Rivet the second casing cover in 4 points tangentially to the first length of flue on the join between the two flues.



6. Fit the cowl inside the inner flue. Rivet once to the inner flue.



7. Place the ashpan in the centre of the fireplace opening. Fireplace is now ready to use.

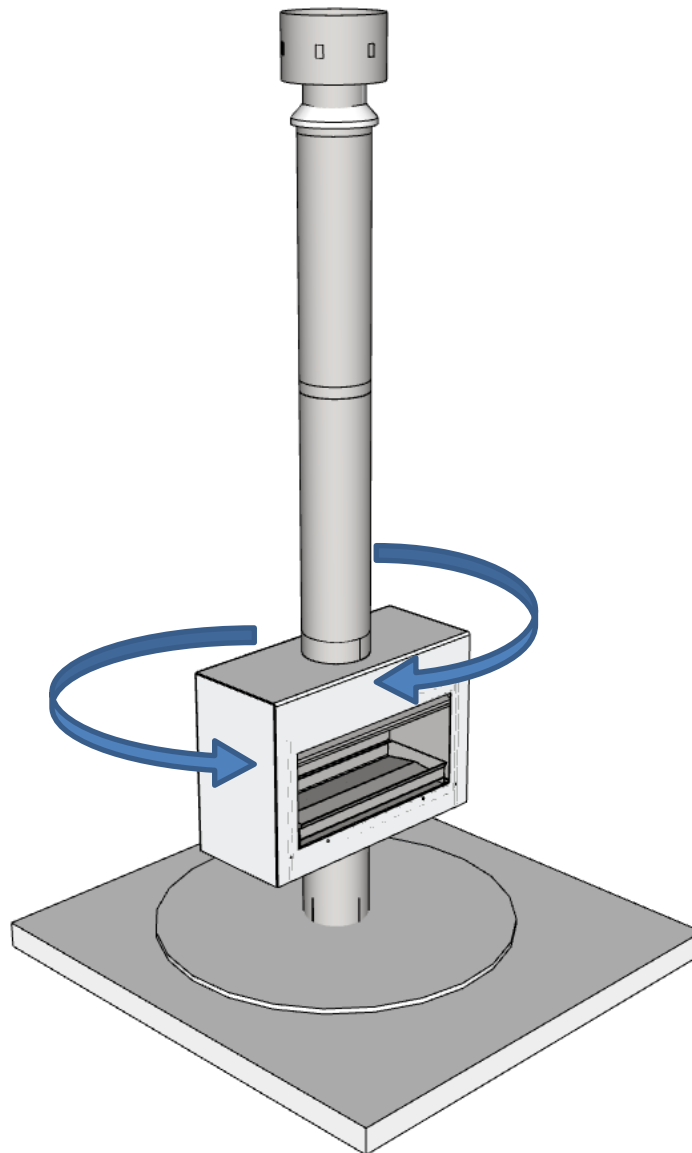


## **Step 11: How to operate fireplace**

- Following the Operating Instructions on the next page, show the owner how to operate the fireplace.
- If the owner is not available, leave this manual by the fireplace.

# OPERATING INSTRUCTIONS

- Fireplace will turn 360°
- Fireplace will become hot during operation
- Take care turning the fireplace during operation.



## TROUBLESHOOTING

Problem	Probable Cause	Action
Excessive smoke	<ol style="list-style-type: none"> <li>1. Poor quality or damp wood</li> <li>2. Draft flowing into or across front of fireplace.</li> <li>3. Flue terminates at poor position outside (eg. windy part of roof)</li> <li>4. A nearby extractor fan is sucking smoke from the fireplace</li> </ol>	<ol style="list-style-type: none"> <li>1. Change wood</li> <li>2. Remove source of draft</li> <li>3. Reposition flue termination</li> <li>4. Switch off or reposition extractor fan</li> </ol>



# PRODUCT WARRANTY

**IMPORTANT:** Evidence of original purchase is required for warranty service.

**WARRANTOR:** 'The Fire Dept.' (Landscape Elements Ltd)  
85 Newton Road  
Mount Maunganui  
PO Box 10275, Bayfair, Mount Maunganui

## ELEMENT OF WARRANTY

'The Fire Dept.' warrants to the original retail owner for the duration of this warranty, it's fireboxes, gas burner tray, lighters, (herein after referred to as the Product) to be free from defects in materials and craftsmanship with only the limitations or exclusions set out below.

## WARRANTY

This warranty will be deemed invalid if the Product is;

- (A) Installed by someone other than an authorised Fire Dept agent.
- (B) Not operated appropriately or "over-fired" in a manner resulting in the firebox operating excessively hot.
- (C) Not serviced and maintained by a certified gas fitter every 12 months.
- (D) Damaged by accident, neglect or misuse,
- (E) Repaired by someone other than an authorised Fire Dept repair agent for a defect or malfunction covered by this warranty.
- (F) Modified, altered or used as part of any conversion kits, subassemblies, or any configurations not sold by 'The Fire Dept.'.
- (G) The product contains fire bricks and has not been subjected to the recommended first start-up and run-in procedure.
- (H) Used in conjunction with any equipment or parts or as part of a system not manufactured or supplied by 'The Fire Dept.'.
- (I) External powder-coating within 200m of the high tide mark and not lightly washed with warm soapy water every three months.

## Indoor appliances (Gas & Wood)

'The Fire Dept.' warrants the mild steel firebox, galvanised steel outer skin and RHS Duragal steel support frame against defective materials and workmanship which would render it unfit for normal domestic use, from the date of purchase by the original consumer, for a period of 5 (five) years. Beyond normal heat-induced staining, tarnishing and mild warping, if a firebox, outer skin or support frame defect occurs, contact 'The Fire Dept.' and the defect will be repaired or replaced at our discretion with all costs covered.

'The Fire Dept.' warrants the SIT Pack (Gas regulator and controller) against defective materials and workmanship which would render it unfit for normal domestic use, from the date of purchase by the original consumer, for a period of 2 (two) years.

Components including fire medium, fans, tiles, glass and glass trim are warranted for a period of 2 (two) years from the date of original purchase, against defective materials and workmanship.

## Outdoor appliances (Gas & Wood)

'The Fire Dept.' warrants the Mild Steel firebox, galvanised steel outer skin and RHS Duragal Steel support frame against defective materials and workmanship which would render it unfit for normal domestic use, from the date of purchase by the original consumer, for a period of 2 (two) years. Beyond normal heat-induced staining, tarnishing and mild warping, if a firebox, outer skin or support frame defect occurs, contact 'The Fire Dept.' and the defect will be repaired or replaced at our discretion with all costs covered.

'The Fire Dept.' warrants the SIT Pack (Gas regulator and controller) against defective materials and workmanship which would render it unfit for normal domestic use, from the date of purchase by the original consumer, for a period of 2 (two) years.

Components including fire medium, fans, tiles, glass and glass trim are warranted for a period of 2 (two) years from the date of original purchase for domestic use, against defective materials and workmanship.

## STATEMENT OF REMEDY

In the event that the Product does not conform to this warranty at any time while this warranty is in effect, the Warrantor, at its discretion, will repair the defect or replace the part and return it to you without charge for parts or service. This warranty does not provide for reimbursement or payment of incidental or consequential damages.

This warranty does not in any way affect your rights under the Consumers Guarantee Act (New Zealand).